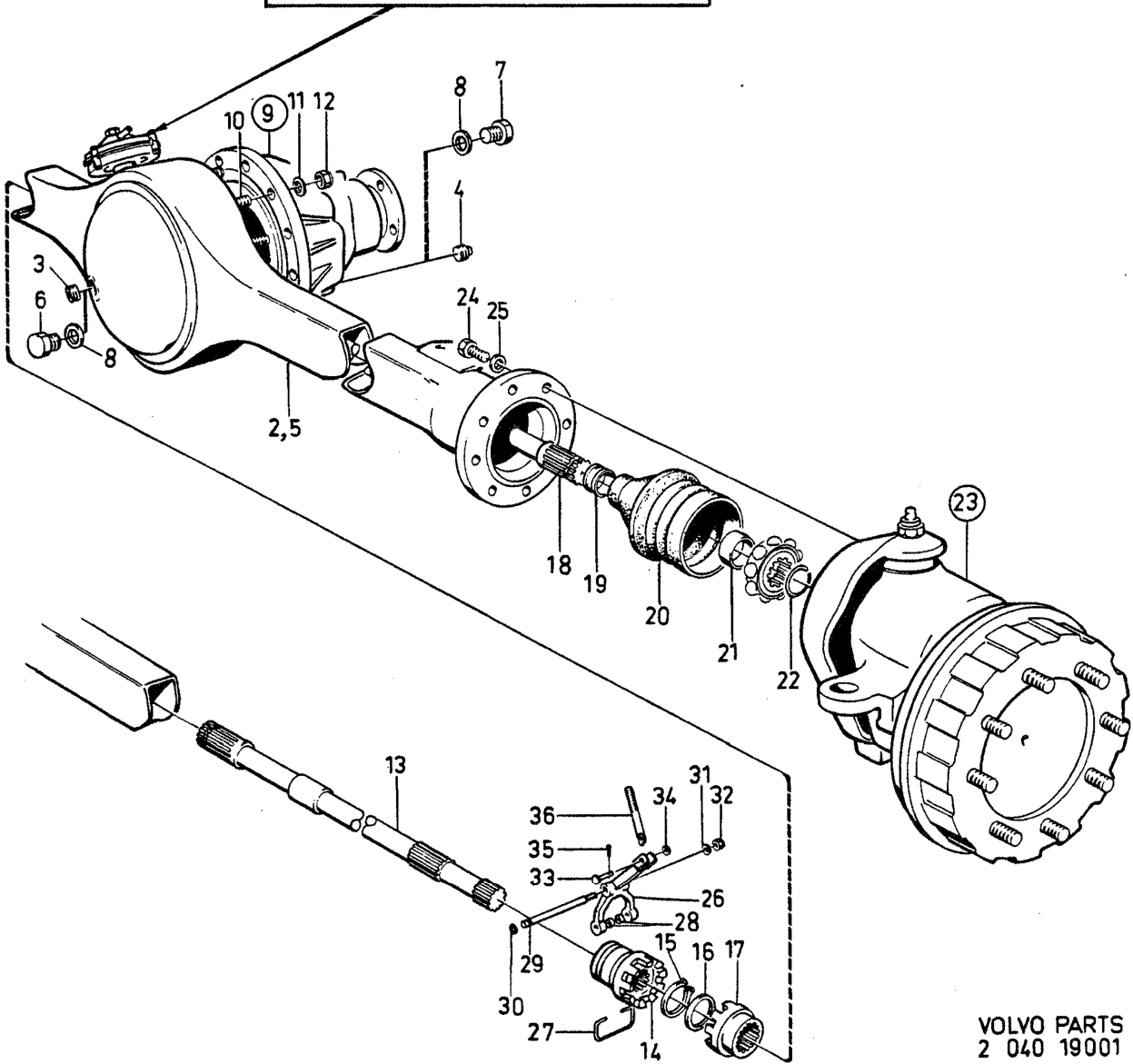


1



VOLVO PARTS  
2 040 19001

A	644756						DRIVANDE FRAMAXEL	DRIVEN FRONT AXLE		Grupp Group	46
	B	1520000									
C	1520340						UTV 6,00/1, 7,10/1.				
D											
E											
Pos	Artikel nr Part No.	Antal /Quantity					P S	Benämning	Description	Anmärkning Notes	S R
		A	B	C	D	E					
1	(644756)	1	-	-	-	-	SP	Framaxel .....	Front axle .....	1) R.H.D HJB2300 REPL 1PCS 1520431-6.	
	(1520000)	-	1	-	-	-	SP	Framaxel .....	Front axle .....	2) UTV 7,10/1. 4X4 R.H.D 6X6 HJB2530 ALTER 1 REPL 1PCS 1520430-8.	
	(1520340)	-	-	1	-	-	SP	Framaxel .....	Front axle .....	3) UTV 7,10/1. 6X6 L.H.D ALTER 2 REPL 1PCS 1520430-8.	4
	1520431-6	1	-	-	-	-		Framaxel .....	Front axle .....	UTV 6,00/1.	5
	1520430-8	-	1	1	-	-		Framaxel .....	Front axle .....	UTV 7,10/1.INCL SPCL S-3758, S-3780, S-3781, S-3761 ALTER 1 REPL ALTER 2	5
2		1	1	-	-	-	NS	•Framaxelkåpa .....	•Front axle casing .....	ALTER 1 REPL ALTER 2	
	(643270)	1	1	-	-	-	SP	••Framaxelkåpa .....	••Front axle casing .....	4)	
3	952358-0	1	1	-	-	-		••Plugg .....	••Plug .....	1/2"X14	2
4	951901-8	1	1	-	-	-		••Plugg .....	••Plug .....	1/2"X14	2
5		1	1	1	-	-	NS	•Framaxelkåpa .....	•Front axle casing .....	ALTER 2	
	1522469-4	1	1	1	-	-		••Framaxelkåpa .....	••Front axle casing .....		5
6	960634-4	1	1	1	-	-		••Plugg .....	••Plug .....	M22X1,5	2
7	947585-6	1	1	1	-	-		••Plugg .....	••Plug .....	M22X1,5	2
8	18677-5	2	2	2	-	-		••Packning .....	••Gasket .....		2
9	(644703)	1	-	-	-	-	SP	•Centrumväxel .....	•Final drive .....	UTV 2,91/1. REPL 1PCS 1562048-7.	
	(642736)	-	1	1	-	-	SP	•Centrumväxel .....	•Final drive .....	UTV 3,44/1. REPL 1PCS 1562047-9.	
		-	-	-	-	-		••SEE 46•315 .....	••SEE 46•315 .....		
	1562048-7	1	-	-	-	-		•Centrumväxel .....	•Differential carrier .....	5) UTV 2,91/1	5
	1562047-9	-	1	1	-	-		•Centrumväxel .....	•Differential carrier .....	5) UTV. 3,44/1	5
		-	-	-	-	-		••SEE 46•317 .....	••SEE 46•317 .....		
10	643737-0	12	12	12	-	-		•Skruv .....	•Screw .....		3
11	961170-8	12	12	12	-	-		•Bricka .....	•Washer .....		2
12	950354-1	12	12	12	-	-		•Låsmutter .....	•Lock nut .....		2
13	644069-7	1	1	1	-	-		•Drivaxel, h .....	•Drive shaft, r.h. ....		3
14	643883-2	1	1	1	-	-		•Medbringare .....	•Companion flange .....		3
15	944100-7	1	1	1	-	-		•Spårring .....	•Retaining ring .....		3
16	944101-5	1	1	1	-	-		•Bricka .....	•Washer .....		3
17	643964-0	1	1	1	-	-		•Kloppkoppling .....	•Dog clutch .....		3
18	644070-5	1	1	1	-	-		•Drivaxel, v .....	•Drive shaft, l.h. ....		3
19	639261-7	2	2	2	-	-		•Bussning .....	•Bushing .....		3
20	1563012-2	2	2	2	-	-		•Kåpa .....	•Cover .....		3
21	634581-3	2	2	2	-	-		•Tryckbricka .....	•Thrust washer .....		3
22	947614-4	2	2	2	-	-		•Spårring .....	•Retaining ring .....		2
23	(642408)	1	1	-	-	-	SP	•Hjulväxel .....	•Wheel gear .....	REPL 1PCS 1522922-2.	
	(642409)	1	1	-	-	-	SP	•Hjulväxel .....	•Wheel gear .....	REPL 1PCS 1522923-0.	
	1522922-2	1	1	1	1	-		•Hjulväxel, v .....	•Wheel gear, l.h. ....		3
	1522923-0	1	1	1	1	-		•Hjulväxel, h .....	•Wheel gear, r.h. ....		3
		-	-	-	-	-		••SEE 46•323 .....	••SEE 46•323 .....		
24	955561-6	16	16	16	-	-		•Skruv .....	•Screw .....		2
25	940280-1	16	16	16	-	-		•Fjäderbricka .....	•Spring washer .....		2
26	643382-5	1	1	1	-	-		•Skiftgaffel .....	•Selector fork .....		3
27	637774-1	1	1	1	-	-		•Låsbygel .....	•Lock brace .....		3
28	637773-3	2	2	2	-	-		•Tapp .....	•Pin .....		2
29	643381-7	1	1	1	-	-		•Lagertapp .....	•Stub .....		3
30	955981-6	1	1	1	-	-		•O-ring .....	•O-ring .....		2
☆ 31	947620-1	1	1	1	-	-		•Packning .....	•Gasket .....	(11992)	2

1) Civil. / For civilian use.

2) Hjulcylinder 1 1/8". / Wheel brake cylinder 1 1/8".

3) Hjulcylinder 1". / Wheel brake cylinder 1".

4) REPL 1PCS 1522469-4, 1PCS 960634-4, 1PCS 947585-6, 1PCS 18 677-5.

5) Reservdelsutförande. / Spare parts production.

A	644756					P S	Benämning	Description	Anmärkning Notes	S R								
	B	1520000									DRIVANDE FRAMAXEL	DRIVEN FRONT AXLE	Grupp Group <b>46</b>					
		C	1520340											UTV 6.00/1, 7.10/1.	Sida Page 299			
			D															
				E														
Pos	Artikel nr Part No.	Antal /Quantity																
		A	B	C	D	E												
32	950353-3	1	1	1	-	-	• Låsmutter .....	• Lock nut .....	(942383)	2								
33	913103-8	1	1	1	-	-	• Saxpinnebult .....	• Clevis pin .....		2								
34	940090-4	1	1	1	-	-	• Bricka .....	• Washer .....		2								
35	907824-7	1	1	1	-	-	• Saxpinne .....	• Split pin .....		2								
36	643380-9	1	1	1	-	-	• Dragstång .....	• Pull rod .....		3								
37	18677-5	1	1	1	-	-	• Packning .....	• Gasket .....		2								
38	639987-7	1	1	1	-	-	• Cylinder .....	• Cylinder .....		3								
39	643379-1	1	1	1	-	-	• Mutter .....	• Nut .....		3								
40	955846-1	1	1	1	-	-	• Mutter .....	• Nut .....		2								
41	639989-3	1	1	1	-	-	• Bricka .....	• Washer .....		3								
42	639991-9	1	1	1	-	-	• Membran .....	• Diaphragm .....		3								
43	947620-1	1	1	1	-	-	• Packning .....	• Gasket .....		2								
44	639990-1	1	1	1	-	-	• Lock .....	• Cover .....		2								
45	950372-3	1	1	1	-	-	• Mutter .....	• Nut .....		2								
46	637759-2	1	1	1	-	-	• Fjäder .....	• Spring .....		3								
47	640312-5	1	1	1	-	-	• Lock .....	• Cap .....		3								
48	957173-8	1	1	1	-	-	• Packning .....	• Gasket .....		2								
49	955791-9	1	1	1	-	-	• Mutter .....	• Nut .....		2								
50	962947-8	1	1	1	-	-	• Stoppskruv .....	• Set screw .....		2								
51	955640-8	3	3	3	-	-	• Skruv .....	• Screw .....		2								
52	640075-8	6	6	6	-	-	• Klamma .....	• Clamp .....		3								
53	955893-3	3	3	3	-	-	• Bricka .....	• Washer .....		2								
54	950382-2	3	3	3	-	-	• Mutter .....	• Nut .....		2								