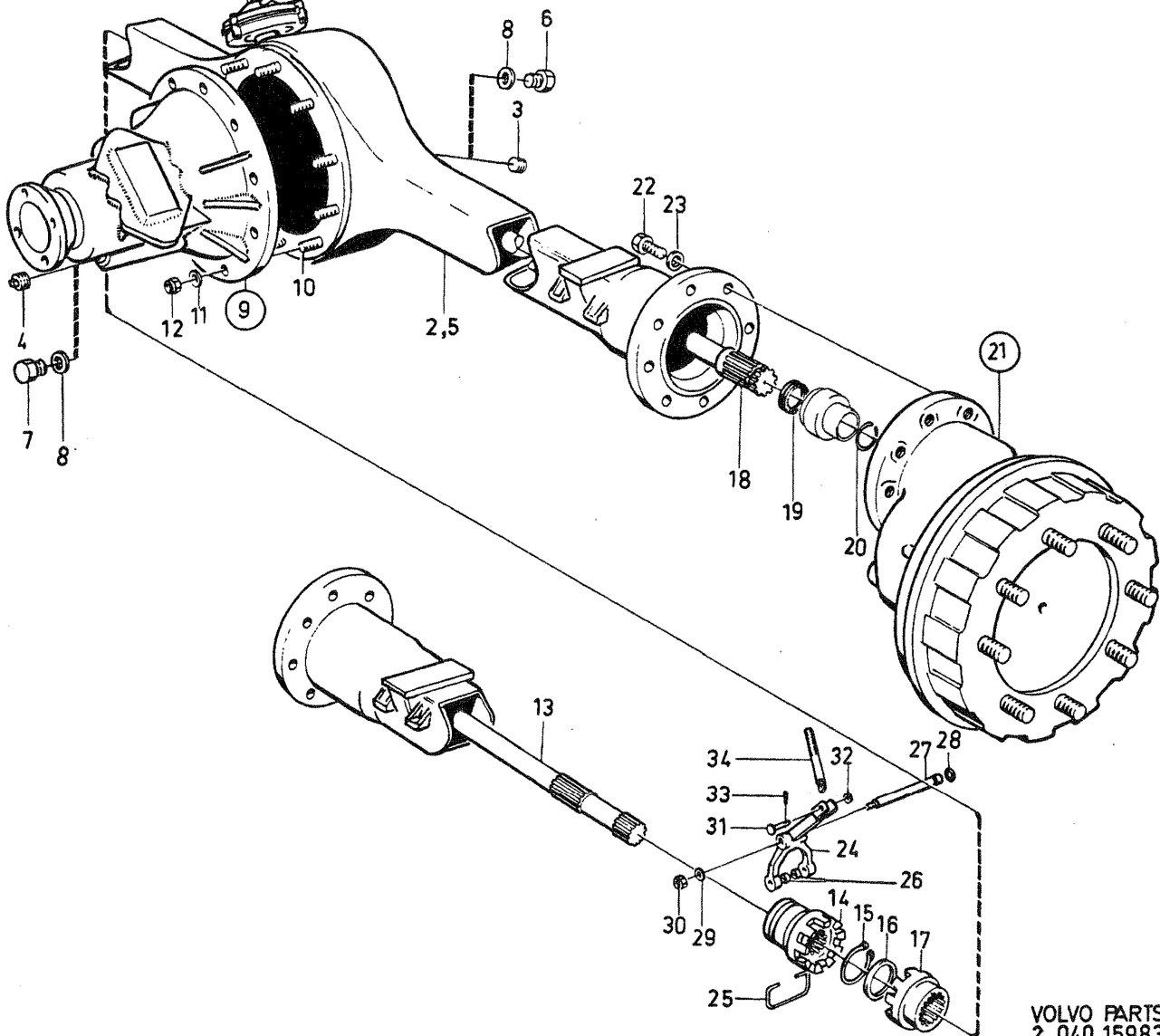


1



VOLVO PARTS  
2 040 15983

| A   | 664759                 |                 |    |    |                 | P | S  | Benämning                      | Description                | Anmärkning<br>Notes   | S                   | R              |   |
|-----|------------------------|-----------------|----|----|-----------------|---|----|--------------------------------|----------------------------|---|---------------------|----------------|---|
|     | B                      | C               | D  | E  | Antal /Quantity |   |    |                                |                            |   |                     |                |   |
| B   | 1520270                |                 |    |    |                 |   |    | BAKAXEL BAKRE                  | REAR AXLE REAR             |   |                     | Grupp<br>Group |   |
| C   | 1520001                |                 |    |    |                 |   |    |                                |                            |   |                     | 46             |   |
| D   | 1520003                |                 |    |    |                 |   |    |                                |                            |   |                     | Sida<br>Page   |   |
| E   |                        |                 |    |    |                 |   |    | 6X6 BAKRE, UTV 6,00/1, 7,10/1. |                            |   |                     | 303            |   |
| Pos | Artikel nr<br>Part No. | Antal /Quantity |    |    |                 |   | P  | S                              | Benämning                  | Description   | Anmärkning<br>Notes | S              | R |
|     |                        | A               | B  | C  | D               | E |    |                                |                            |   |                     |                |   |
| 1   | (644759)               | 1               | -  | -  | -               | - | SP | Bakaxel .....                  | Rear axle .....            | 1) UTV 6,00/1. 4X4<br>HJB2300. ALTER1<br>REPL 1PCS 1520435-7.<br>UTV 6,00/1.  | 5                   |                |   |
|     | 1520435-7<br>(1520271) | 1               | -  | -  | -               | - | SP | Bakaxel .....                  | Rear axle .....            | 2) UTV 6,00/1. 4X4<br>3) HJB2300. ALTER2<br>REPL 1PCS 1520435-7<br>UTV 7,10/1. 4X4 R.H.D<br>HJB2530 REPL<br>1PCS 1520432-4. | 2                   |                |   |
|     | (1520001)              | -               | -  | 1  | -               | - | SP | Bakaxel .....                  | Rear axle .....            | UTV 7,10/1. INCL SPCL<br>S-3780, S-3781, S-3761,<br>S-3758.   | 5                   |                |   |
|     | 1520432-4              | -               | -  | 1  | -               | - | SP | Bakaxel, bakre .....           | Rear axle, rear .....      | UTV 7,10/1. 6X6<br>REPL 1PCS 1520434-0.<br>UTV 7,10/1. 6X6  | 5                   |                |   |
|     | (1520003)              | -               | -  | -  | 1               | - | SP | Bakaxel .....                  | Rear axle .....            | ALTER1 REPL ALTER2  | 5                   |                |   |
|     | 1520434-0              | -               | -  | -  | 1               | - | SP | Bakaxelkåpa .....              | Rear axle casing .....     |   | 5                   |                |   |
| 2   | (643271)               | 1               | -  | 1  | -               | - | SP | Bakaxelkåpa .....              | Rear axle casing .....     |   | 5                   |                |   |
|     | (643273)               | -               | -  | -  | 1               | - | SP | Bakaxelkåpa .....              | Rear axle casing .....     |   | 2                   |                |   |
| 3   | 952358-0               | 1               | -  | 1  | 1               | - |    | Plugg .....                    | Plug .....                 | 1/2"X14   | 2                   |                |   |
| 4   | 951901-8               | 1               | -  | 1  | 1               | - |    | Plugg .....                    | Plug .....                 | 1/2"X14   | 2                   |                |   |
| 5   |                        | -               | -  | -  | -               | - |    | Bakaxelkåpa .....              | Rear axle casing .....     | ALTER2  | 5                   |                |   |
|     | 1522470-2              | 1               | 1  | 1  | -               | - |    | Bakaxelkåpa .....              | Rear axle casing .....     |   | 5                   |                |   |
|     | 1522472-8              | -               | -  | -  | 1               | - |    | Bakaxelkåpa .....              | Rear axle casing .....     |   | 5                   |                |   |
| 6   | 960634-4               | 1               | 1  | 1  | 1               | - |    | Plugg .....                    | Plug .....                 | M22X1,5   | 2                   |                |   |
| 7   | 947585-6               | 1               | 1  | 1  | 1               | - |    | Plugg .....                    | Plug .....                 | M22X1,5   | 2                   |                |   |
| 8   | 18677-5                | 2               | 2  | 2  | 2               | - |    | Packning .....                 | Gasket .....               |   | 2                   |                |   |
| 9   | (644703)               | 1               | 1  | -  | -               | - | SP | Centrumväxel .....             | Final drive .....          | UTV 2,91/1. REPL<br>1PCS 1562048-7.<br>UTV 3,42/1. REPL<br>1PCS 1562047-9.<br>REPL 1562047-9.                               | 5                   |                |   |
|     | (642736)               | -               | -  | 1  | 1               | - | SP | Centrumväxel .....             | Final drive .....          | UTV 2,91/1.<br>UTV 3,42/1.  | 5                   |                |   |
|     |                        | -               | -  | -  | -               | - |    | SEE 46-315 .....               | SEE 46-315 .....           |   | 3                   |                |   |
|     | 1562048-7              | 1               | 1  | -  | -               | - |    | Centrumväxel .....             | Differential carrier ..... |   | 5                   |                |   |
|     | 1562047-9              | -               | -  | 1  | 1               | - |    | Centrumväxel .....             | Differential carrier ..... |   | 5                   |                |   |
|     |                        | -               | -  | -  | -               | - |    | SEE 46-317 .....               | SEE 46-317 .....           |   | 3                   |                |   |
| 10  | 643737-0               | 12              | 12 | 12 | 12              | - |    | Skruv .....                    | Screw .....                |   | 3                   |                |   |
| 11  | 961170-8               | 12              | 12 | 12 | 12              | - |    | Bricka .....                   | Washer .....               |   | 2                   |                |   |
| 12  | 950354-1               | 12              | 12 | 12 | 12              | - |    | Låsmutter .....                | Lock nut .....             |   | 2                   |                |   |
| 13  | 642376-8               | 1               | 1  | 1  | -               | - |    | Drivaxel, h .....              | Drive shaft, r.h. ....     |   | 3                   |                |   |
|     | 643669-5               | -               | -  | -  | 1               | - |    | Drivaxel, h .....              | Drive shaft, r.h. ....     |   | 3                   |                |   |
| 14  | 643883-2               | 1               | 1  | 1  | 1               | - |    | Medbringare .....              | Companion flange .....     |   | 3                   |                |   |
| 15  | 944100-7               | 1               | 1  | 1  | 1               | - |    | Spärring .....                 | Retaining ring .....       |   | 3                   |                |   |
| 16  | 944101-5               | 1               | 1  | 1  | 1               | - |    | Bricka .....                   | Washer .....               |   | 3                   |                |   |
| 17  | 643964-0               | 1               | 1  | 1  | 1               | - |    | Klokkoppling .....             | Dog clutch .....           |   | 3                   |                |   |
| 18  | 642377-6               | 1               | 1  | 1  | -               | - |    | Drivaxel, v .....              | Drive shaft, l.h. ....     |   | 3                   |                |   |
|     | 643668-7               | -               | -  | -  | 1               | - |    | Drivaxel, v .....              | Drive shaft, l.h. ....     |   | 3                   |                |   |
| 19  | 944527-1               | 2               | 2  | 2  | 2               | - |    | X-ring .....                   | X-ring .....               |   | 2                   |                |   |
| 20  | 947614-4               | 2               | 2  | 2  | 2               | - |    | Spärring .....                 | Retaining ring .....       |   | 2                   |                |   |
| 21  | (642410)               | 1               | 1  | 1  | -               | - | SP | Hjulväxel, v .....             | Wheel gear, l.h. ....      | REPL 1PCS 1522924-8.  |                     |                |   |
|     | (642411)               | 1               | 1  | 1  | -               | - | SP | Hjulväxel .....                | Wheel gear .....           | REPL 1PCS 1522925-5.  | 1                   |                |   |
|     | (1522277)              | -               | -  | -  | 1               | - | SP | Hjulväxel, v .....             | Wheel gear, l.h. ....      | REPL 1PCS 1522924-8.  |                     |                |   |
|     | (1522278)              | -               | -  | -  | 1               | - | SP | Hjulväxel, h .....             | Wheel gear, r.h. ....      | REPL 1PCS 1522925-5.  |                     |                |   |
|     | 1522924-8              | 1               | 1  | 1  | 1               | - |    | Hjulväxel, v .....             | Wheel gear, l.h. ....      |   | 3                   |                |   |
|     | 1522925-5              | 1               | 1  | 1  | 1               | - |    | Hjulväxel, h .....             | Wheel gear, r.h. ....      |   | 3                   |                |   |
|     |                        | -               | -  | -  | -               | - |    | SEE 46-327 .....               | SEE 46-327 .....           |   | 2                   |                |   |
| 22  | 955561-6               | 16              | 16 | 16 | 16              | - |    | Skruv .....                    | Screw .....                |   | 2                   |                |   |
| 23  | 940280-1               | 16              | 16 | 16 | 16              | - |    | Fjäderbricka .....             | Spring washer .....        |   | 2                   |                |   |
| 24  | 643382-5               | 1               | 1  | 1  | 1               | - |    | Skiftgaffel .....              | Selector fork .....        |   | 3                   |                |   |

1) Hjulcylinder 1 1/4". / Wheel brake cylinder 1 1/4".  
 2) Hjulcylinder 1". / Wheel brake cylinder 1".  
 3) Civil. / For civilian use.

| A   |                        | 664759          |   |   |   |   | BAKAXEL BAKRE<br>REAR AXLE REAR<br><br>6X6 BAKRE, UTV 6,00/1.7,10/1. | Grupp<br>Group     |             |                     |        |
|-----|------------------------|-----------------|---|---|---|---|--|--------------------|-------------|---------------------|--------|
| B   |                        | 1520270         |   |   |   |   |  | 46                 |             |                     |        |
| C   |                        | 1520001         |   |   |   |   |  | Sida<br>Page       |             |                     |        |
| D   |                        | 1520003         |   |   |   |   |  | 305                |             |                     |        |
| E   |                        |                 |   |   |   |   |  |                    |             |                     |        |
| Pos | Artikel nr<br>Part No. | Antal /Quantity |   |   |   |   | P<br>S   | Benämning          | Description | Anmärkning<br>Notes | S<br>R |
|     |                        | A               | B | C | D | E |  |                    |             |                     |        |
| 25  | 637774-1               | 1               | 1 | 1 | 1 | - | • Låsbygel .....   | • Lock brace ..... | (11992)     | 3                   |        |
| 26  | 637773-3               | 2               | 2 | 2 | 2 | - | • Tapp .....   | • Pin .....        |             | 2                   |        |
| 27  | 643381-7               | 1               | 1 | 1 | 1 | - | • Lagertapp .....  | • Stub .....       |             | 3                   |        |
| 28  | 955981-6               | 1               | 1 | 1 | 1 | - | • O-ring .....   | • O-ring .....     |             | 2                   |        |
| 29  | 947620-1               | 1               | 1 | 1 | 1 | - | • Packning .....   | • Gasket .....     |             | 2                   |        |
| 30  | 950353-3               | 1               | 1 | 1 | 1 | - | • Låsmutter .....  | • Lock nut .....   |             | 2                   |        |
| 31  | 913103-8               | 1               | 1 | 1 | 1 | - | • Saxpinnebult .....   | • Clevis pin ..... |             | 2                   |        |
| 32  | 940090-4               | 1               | 1 | 1 | 1 | - | • Bricka .....   | • Washer .....     |             | 2                   |        |
| 33  | 907824-7               | 1               | 1 | 1 | 1 | - | • Saxpinne .....   | • Split pin .....  |             | 2                   |        |
| 34  | 643380-9               | 1               | 1 | 1 | 1 | - | • Dragstång .....  | • Pull rod .....   |             | 3                   |        |
| 35  | 18677-5                | 1               | 1 | 1 | 1 | - | • Packning .....   | • Gasket .....     |             | 2                   |        |
| 36  | 639987-7               | 1               | 1 | 1 | 1 | - | • Cylinder .....   | • Cylinder .....   |             | 3                   |        |
| 37  | 643379-1               | 1               | 1 | 1 | 1 | - | • Mutter .....   | • Nut .....        |             | 3                   |        |
| 38  | 955846-1               | 1               | 1 | 1 | 1 | - | • Mutter .....   | • Nut .....        |             | 2                   |        |
| 39  | 639989-3               | 1               | 1 | 1 | 1 | - | • Bricka .....   | • Washer .....     |             | 3                   |        |
| 40  | 639991-9               | 1               | 1 | 1 | 1 | - | • Membran .....  | • Diaphragm .....  |             | 3                   |        |
| 41  | 947620-1               | 1               | 1 | 1 | 1 | - | • Packning .....   | • Gasket .....     |             | 2                   |        |
| 42  | 639990-1               | 1               | 1 | 1 | 1 | - | • Lock .....   | • Cover .....      |             | 2                   |        |
| 43  | 950372-3               | 1               | 1 | 1 | 1 | - | • Mutter .....   | • Nut .....        |             | 2                   |        |
| 44  | 637759-2               | 1               | 1 | 1 | 1 | - | • Fjäder .....   | • Spring .....     |             | 3                   |        |
| 45  | 640312-5               | 1               | 1 | 1 | 1 | - | • Lock .....   | • Cap .....        |             | 3                   |        |
| 46  | 957173-8               | 1               | 1 | 1 | 1 | - | • Packning .....   | • Gasket .....     |             | 2                   |        |
| 47  | 955791-9               | 1               | 1 | 1 | 1 | - | • Mutter .....   | • Nut .....        |             | 2                   |        |
| 48  | 962947-8               | 1               | 1 | 1 | 1 | - | • Stoppskruv .....   | • Set screw .....  |             | 2                   |        |
| 49  | 955640-8               | 3               | 3 | 3 | 3 | - | • Skruv .....  | • Screw .....      |             | 2                   |        |
| 50  | 640075-8               | 6               | 6 | 6 | 6 | - | • Klamma .....   | • Clamp .....      |             | 3                   |        |
| 51  | 955893-3               | 3               | 3 | 3 | 3 | - | • Bricka .....   | • Washer .....     |             | 2                   |        |
| 52  | 950382-2               | 3               | 3 | 3 | 3 | - | • Mutter .....   | • Nut .....        |             | 2                   |        |

★

★

