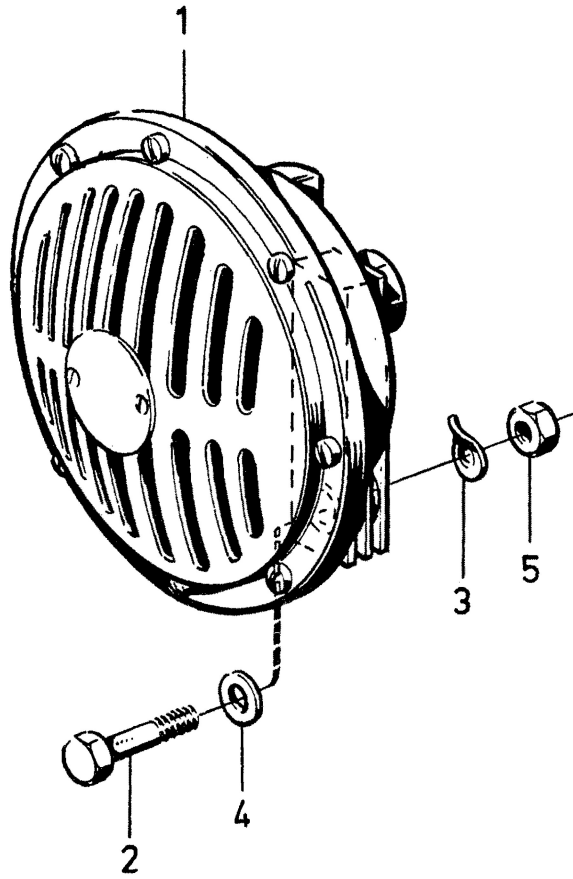
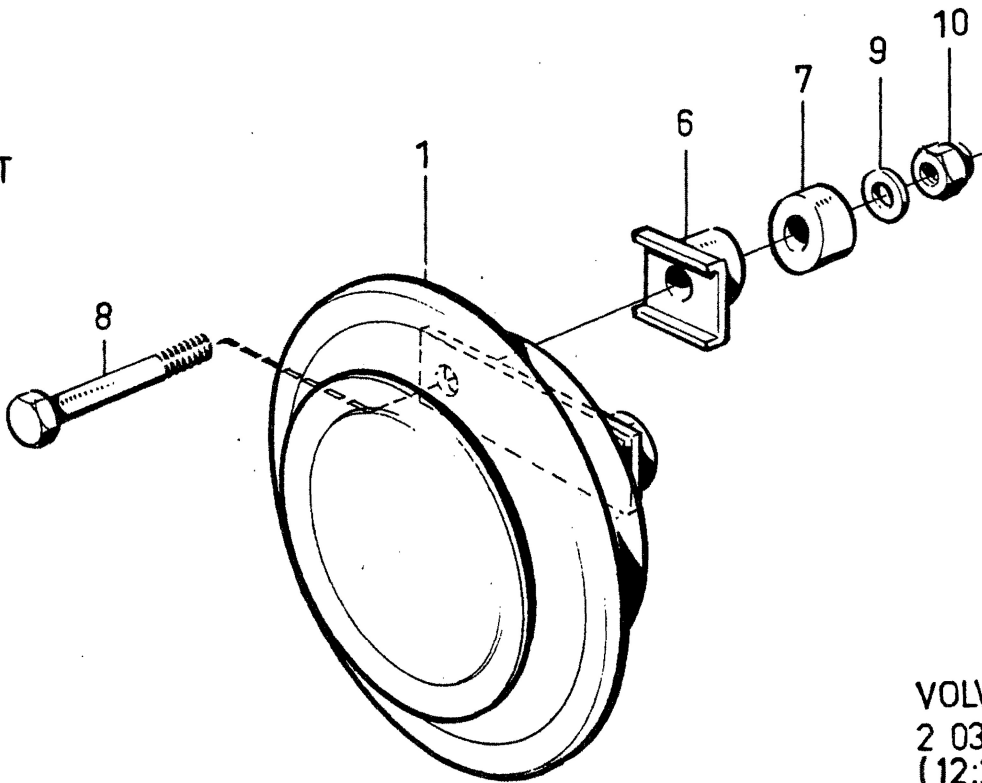


VST



HST



VOLVO PARTS
2 030 20922
(12:2)

A	L.H.D					P	S	Benämning	Description	Anmärkning Notes	S	R																
	B	R.H.D											OP	Signalhorn	Horn	24V (239778) 4X4 CH-2045	2											
		C																Signalhorn	Horn	24V.6X6.4X4 CH 2046-	2							
			D																			Signalhorn	Horn	12V.(1585303)(1212981)	3			
				E																						Signalhorn	Horn	24V.(1585303)(1212981)
Grupp Group																												
36																												
Sida Page																												
201																												
Pos	Artikel nr Part No.	Antal /Quantity																										
		A	B	C	D	E																						
1	1573965	1	-	-	-	-	OP	Signalhorn	Horn	24V (239778) 4X4 CH-2045	2																	
☆	1585305-4	1	-	-	-	-		Signalhorn	Horn	24V.6X6.4X4 CH 2046-	2																	
	1235449-4	1	1	-	-	-		Signalhorn	Horn	12V.(1585303)(1212981)	3																	
2	955535-0	1	-	-	-	-		Skruv	Screw	LG 32.4X4 CH-2045	2																	
	955525-1	1	-	-	-	-		Skruv	Screw	6X6.4X4 CH 2046-	2																	
3	942336-9	1	-	-	-	-		Fjäderbricka	Spring washer	4X4 CH-2045	2																	
	941907-8	1	-	-	-	-		Fjäderbricka	Spring washer	6X6.4X4 CH 2046-	2																	
4	940097-9	1	-	-	-	-		Bricka	Washer	4X4 CH-2045	2																	
	955894-1	1	-	-	-	-		Bricka	Washer	6X6.4X4 CH 2046-	2																	
5	955827-1	1	-	-	-	-		Mutter	Nut	4X4 CH-2045	2																	
	955826-3	1	-	-	-	-		Mutter	Nut	6X6.4X4 CH 2046-	2																	
6	1561233-6	-	1	-	-	-		Konsol	Bracket		4																	
7	1561235-1	-	1	-	-	-		Hylsa	Sleeve		4																	
8	955324-9	-	1	-	-	-		Skruv	Screw	M6S M10X60	2																	
	940136-5	-	1	-	-	-		Skruv	Screw	U6S 5/16 UNCX64	2																	
9	960143-6	-	1	-	-	-		Bricka	Washer	I.DIA 10.5	2																	
	960141-0	-	1	-	-	-		Bricka	Washer	I.DIA 8.4	2																	
☆	971083-1	-	1	-	-	-		Låsmutter	Lock nut	M10, (945654)	2																	
	950353-3	-	1	-	-	-		Låsmutter	Lock nut	5/16	2																	