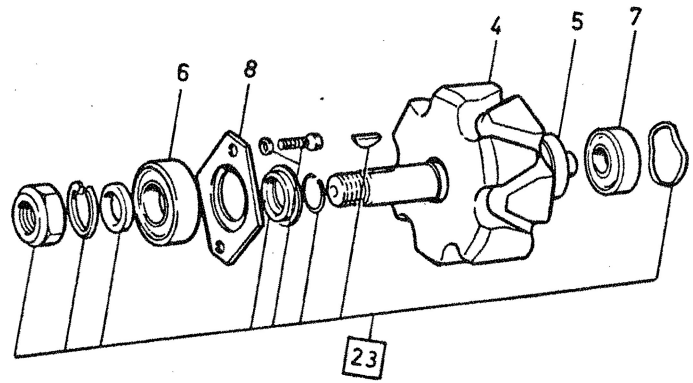
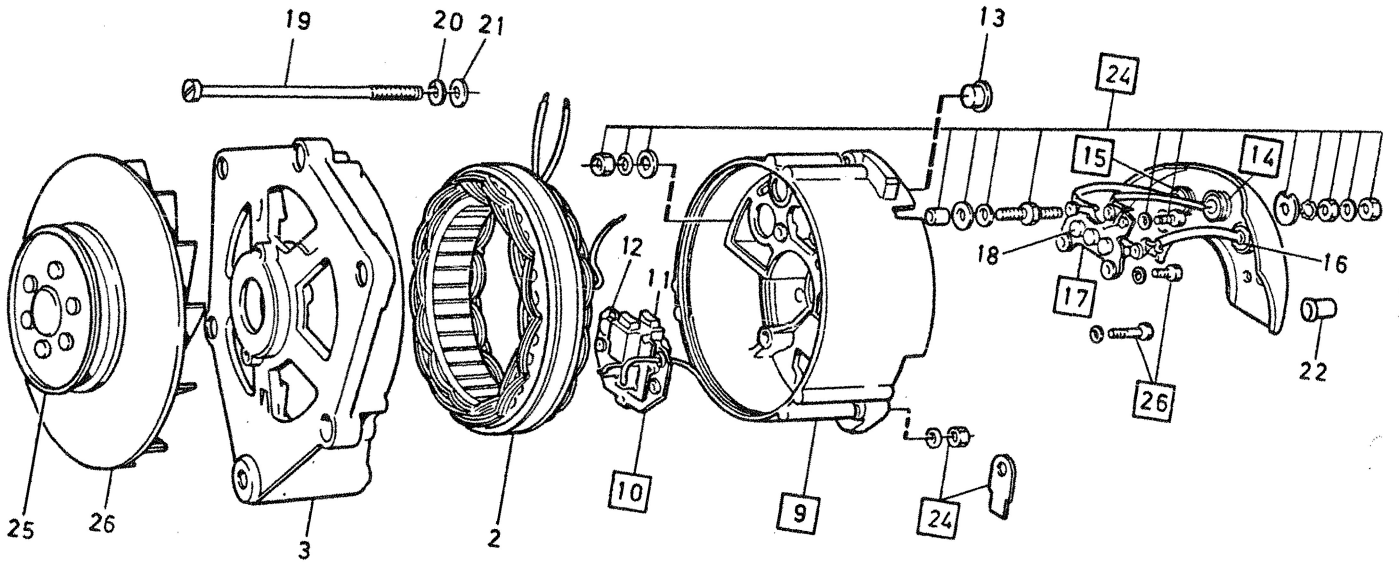


1



**VOLVO**  
Genuine Parts  
LV 321 53303

A	241735					GENERATOR		ALTERNATOR		Grupp Group	
	B	C	D	E	12V, L.H.D					32	
										Sida Page	
										155	
Pos	Artikel nr Part No.	Antal /Quantity					P S	Benämning	Description	Anmärkning Notes	S R
		A	B	C	D	E					
1	241735-0	1	-	-	-	-		Generator .....	Alternator .....		3
2	243986-7	1	-	-	-	-		• Stator .....	• Stator .....	(243288)	4
3	243628-5	1	-	-	-	-		• Hus .....	• Housing .....		2
4	243629-3	1	-	-	-	-		• Rotor .....	• Rotor .....		3
5	241681-6	1	-	-	-	-		•• Släpning .....	•• Slip ring .....		2
6	181800-4	1	-	-	-	-		• Kullager .....	• Ball bearing .....	(243753)	2
7	181798-0	1	-	-	-	-		• Kullager .....	• Ball bearing .....	(243035)	2
8	241682-4	1	-	-	-	-		• Hållare .....	• Retainer .....		2
9	243755	1	-	-	-	-	NS	• Hus .....	• Housing .....		2
10	241684-0	1	-	-	-	-		•• Hållare .....	•• Retainer .....		2
11	244456-0	1	-	-	-	-		••• Elborstsats .....	••• Carbon brush set .....	(241685)	2
12	241686-5	2	-	-	-	-		••• Fjäder .....	••• Spring .....		2
13	241687-3	3	-	-	-	-		••• Diod .....	••• Diode .....		2
14	243756-4	1	-	-	-	-		• Kylplatta .....	• Cooling plate .....		2
15	(243757)	1	-	-	-	-	SP	•• Kylplatta .....	•• Cooling plate .....	REPL 243756-4	2
16	244311-7	3	-	-	-	-		••• Diod .....	••• Diode .....	(241690)	2
17	244454-5	1	-	-	-	-		•• Diodplatta .....	•• Diode plate .....	(243993)	3
18	243994-1	3	-	-	-	-		••• Diod .....	••• Diode .....		4
19	243032-0	1	-	-	-	-		• Skruv .....	• Screw .....		3
	243630	2	-	-	-	-	NS	• Skruv .....	• Screw .....		2
20	955919-6	3	-	-	-	-		• Fjäderbricka .....	• Spring washer .....		2
21	955892-5	3	-	-	-	-		• Bricka .....	• Washer .....		2
22	241695-6	1	-	-	-	-		• Kåpa .....	• Cover .....		4
23	273538-9	1	-	-	-	-		• Reparationssats .....	• Repair kit .....	(241697)	2
24	273539-7	1	-	-	-	-		• Reparationssats .....	• Repair kit .....		2
25	243456-1	1	-	-	-	-		Remskiva .....	Pulley .....	REPL 639575-0	2
☆ 26	1324620-2	1	-	-	-	-		Fläkt .....	Fan .....	(243457)	2