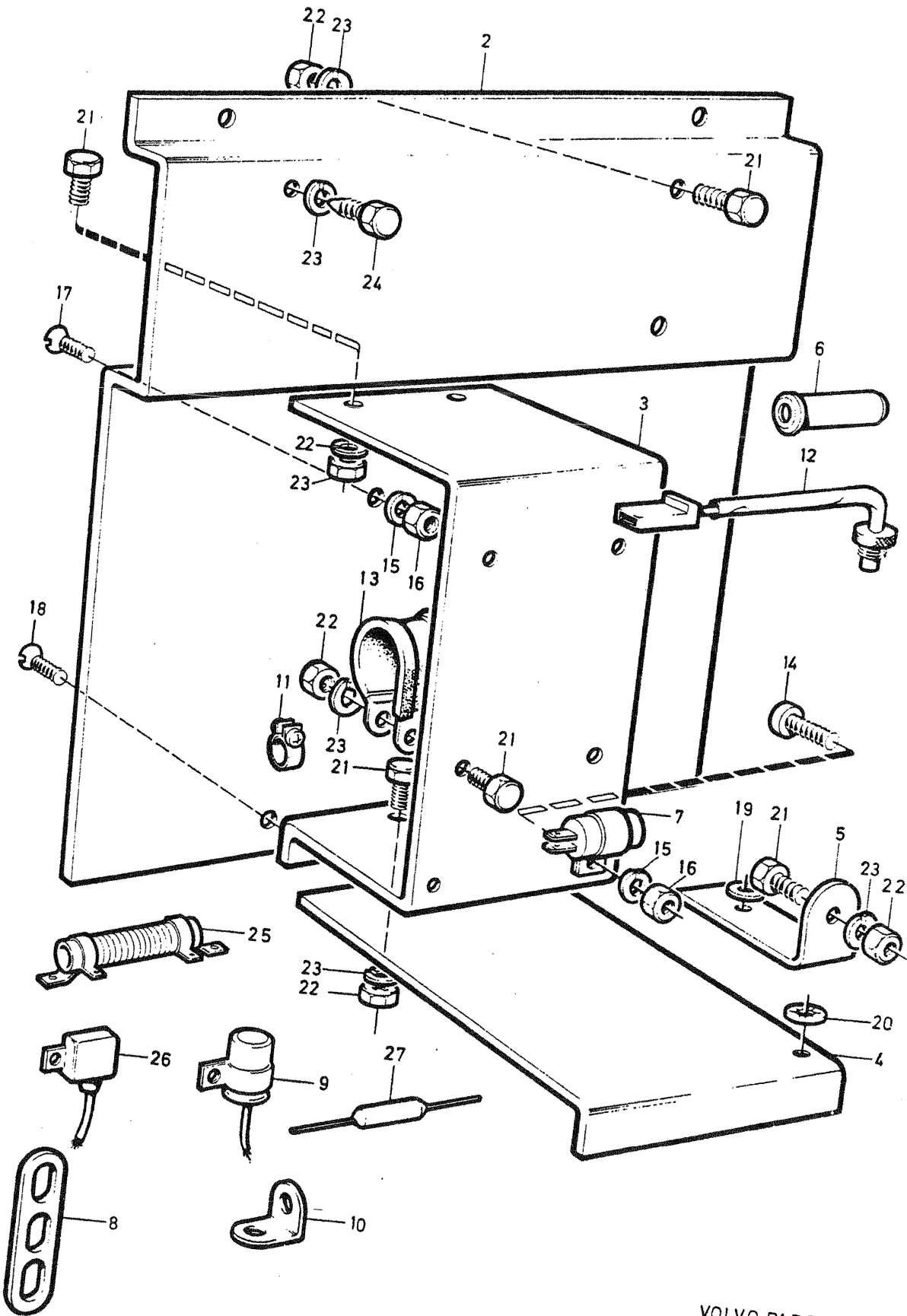


1



VOLVO PARTS
2 090 20908
(34:4)

| A | B | C | D | E | PARKERINGSVÄRMARE | | PARKING HEATER | | Grupp | | |
|-----|------------------------|-----------------|---|---|--------------------|---|--------------------|--------------------------------|-------------------------------|---------------------|--------|
| | | | | | MONTERINGSDETALJER | | INSTALLATION PARTS | | Group | | |
| | | | | | | | | | 87 | | |
| | | | | | | | | | Sida | | |
| | | | | | | | | | Page | | |
| | | | | | | | | | 513 | | |
| Pos | Artikel nr Part No. | Antal /Quantity | | | | | P S | Benämning | Description | Anmärkning Notes | S R |
| | | A | B | C | D | E | | | | | |
| 1 | | 1 | - | - | - | - | NS | Monteringssats | Mounting kit | | |
| 2 | | 1 | - | - | - | - | NS | SEE 87 • 515 | SEE 87 • 515 | | |
| 3 | | 1 | - | - | - | - | NS | • Hållare | • Retainer | | |
| 4 | | 1 | - | - | - | - | NS | • Hållare | • Retainer | | |
| 5 | | 1 | - | - | - | - | NS | • Vinkel | • Elbow | | |
| 6 | 1564276-2 | 1 | - | - | - | - | NS | • Avstörningskondensator | • Suppression capacitor | 5 KOHM | 4 |
| 7 | 1564277 | 2 | - | - | - | - | OP | • Avstörningskondensator | • Suppression capacitor | | 4 |
| 8 | | 1 | - | - | - | - | NS | • Fästplåt | • Attaching plate | | |
| 9 | 1564280-4 | 1 | - | - | - | - | NS | • Kondensator | • Capacitor | | 4 |
| 10 | | 1 | - | - | - | - | NS | • Fästplåt | • Attaching plate | | |
| 11 | 947331-5 | 4 | - | - | - | - | NS | • Slangklamma | • Hose clamp | | 2 |
| 12 | 1564220-0 | 2 | - | - | - | - | NS | • Säkring | • Fuse | 125% | 4 |
| 13 | 952630-2 | 1 | - | - | - | - | NS | • Klamma | • Clamp | | 2 |
| 14 | 956061-6 | 1 | - | - | - | - | NS | • Skruv | • Screw | | 2 |
| 15 | 120344-7 | 3 | - | - | - | - | NS | • Låsbricka | • Lock washer | | 2 |
| 16 | 955779-4 | 3 | - | - | - | - | NS | • Mutter | • Nut | | 2 |
| 17 | 956163-0 | 2 | - | - | - | - | NS | • Skruv | • Screw | | 2 |
| 18 | 956186-1 | 1 | - | - | - | - | NS | • Skruv | • Screw | | 2 |
| 19 | 940090-4 | 1 | - | - | - | - | NS | • Bricka | • Washer | | 2 |
| 20 | 946246-6 | 1 | - | - | - | - | NS | • Låsbricka | • Lock washer | | 2 |
| 21 | 955269-6 | 13 | - | - | - | - | NS | • Skruv | • Screw | | 2 |
| 22 | 955781-0 | 13 | - | - | - | - | NS | • Mutter | • Nut | | 2 |
| 23 | 955919-6 | 14 | - | - | - | - | NS | • Fjäderbricka | • Spring washer | | 2 |
| 24 | 190666-8 | 1 | - | - | - | - | NS | • Skruv | • Screw | | 2 |
| 25 | 1564274 | 1 | - | - | - | - | OP | • Motstånd | • Resistor | | 4 |
| 26 | 1564279-6 | 1 | - | - | - | - | NS | • Avstörningsfilter | • Suppression filter | | 4 |
| 27 | 1564282-0 | 1 | - | - | - | - | NS | • Avstörningsfilter | • Suppression filter | | 4 |
| | 1564281-2 | 1 | - | - | - | - | NS | • Motstånd | • Resistor | | 4 |