

Group	FOREWORD (GB)
01	
Page	
12	

**This catalogue lists part for the C3 cross country vehicle series.**

**TYPE DESIGNATION:** Type designations of vehicle are as follows:

**C 303 4x4 VST**

Wheelbase  
2300.

**C 303 4x4 HST**

Wheelbase  
2300.

**C 304 4x4 HST**

Wheelbase  
2530.

**C 303 6x6 VST**

Wheelbase  
2720.

**C 306 6x6 VST (TGB 20)**

Wheelbase  
2720.

**C 306 6x6 HST**

Wheelbase  
2720.

Version 3, 4 and 5 of the cross country vehicle ( see the designation plate ) have been marked CIVIL in the notes column.

Parts special for the Swedish military cross country vehicle Type 20 are marked TGB 20 in the notes column.

**ENGINE:** The vehicles are equipped with engine type B 30 A, see group 20.

**GEARBOX:** The vehicles are equipped with gearboxes type:

S4-18/3 manual 4-speed,  
S5-18/3 manual 5-speed.

**PLATES:** The location of the designation plates for type and engine designations, etc. is illustrated on the next page.

**ABBREVIATIONS:** A clarification of abbreviations used in the catalogue will be found in group 02.

**SPECIAL MODELS:** See next page.

**THE PARTS CATALOGUE** for the C3 can be ordered from

Volvo Group Support AB  
Publications Store  
SA A 5510  
S-405 08 Göteborg, Sweden  
Order nummer:

**Language**  
Swedish/English

**Paper**  
212324

**Fiche**  
212325

**VOLVO PARTS CORPORATION**  
Dept 33620, VAK HA1S  
S-405 08 Göteborg, Sweden  
Tel: 46 - 31662539

## FOREWORD (GB)

Group

01

Page

13

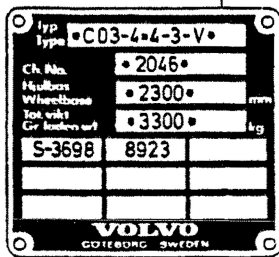
**SPECIAL MODELS:** The following special models are also listed in the catalogue:

S-3619	The state power department of Sweden, 24 V.	8913	Towing hook.
S-3656	The state power department of Sweden, 12 V.	8914	Advance warning triangle.
S-3652	Zambia, 12 V.	8915	Wooden strips for cargo space.
S-3653	Zambia, 24 V.	8916	Cargo displacement protection.
S-3692	Ethiopia.	8917	Cargo displacement protection.
S-3694	Cross country truck (cevilian).	8918	Compartment and engine heater.
S-3695	Cross country truck (cevilian).	8919	Power take-off.
S-3696	Cross country truck (cevilian).	8920	Electric air compressor.
S-3697	Cross country truck (cevilian).	8921	7-pole trailer socket.
S-3698	Cross country truck (cevilian).	8922	First-aid cushion.
S-3699	Cross country truck (cevilian).	8923	Fire extinguisher.
S-3700	Cross country truck (cevilian).	8924	Electric engine heater.
S-3701	Cross country truck (cevilian).	8925	Socket for electric compartment heater.
S-3705	Bangladesh.	8926	Forward cable guide.
S-3736	National Swedish Highway Authority.	8929	Towing hook with towing member.
S-3758	Malayan Police.	8930	Spare fuel can holder.
S-3761	Peru.	8931	Extra insulation and upholstery.
S-3780	Angola, Sweden.	8932	AM-FM Radio.
S-3781	Australia.	8933	AM-FM Stereoradio.
S-3802	The state power department of Sweden.	8934	Ventilation.
S-3853	The state power department of Sweden.	8935	Towbar.
S-6059	The state power department of Sweden.	8936	Loading lamp.
		8937	Loading lamp.
		8938	Rotating lamp, yellow.
		8939	Rotating lamp, yellow.
		8940	Rotating lamp, blue.
		8941	Rotating lamp, blue.
		8942	Rotating lamp, red.
		8943	Rotating lamp, red.
		8944	Rotating lamp, yellow.
		8945	Rotating lamp, yellow.
		8946	Rotating lamp, blue.
		8947	Rotating lamp, blue.
		8952	Rotating lamp, red.
		8953	Rotating lamp, red.
		8954	Electric compartment heater.
		8955	Rubber mats for rear floor.
		8956	Towbar with 50 mm ball.
		8957	Anti-slip chain.

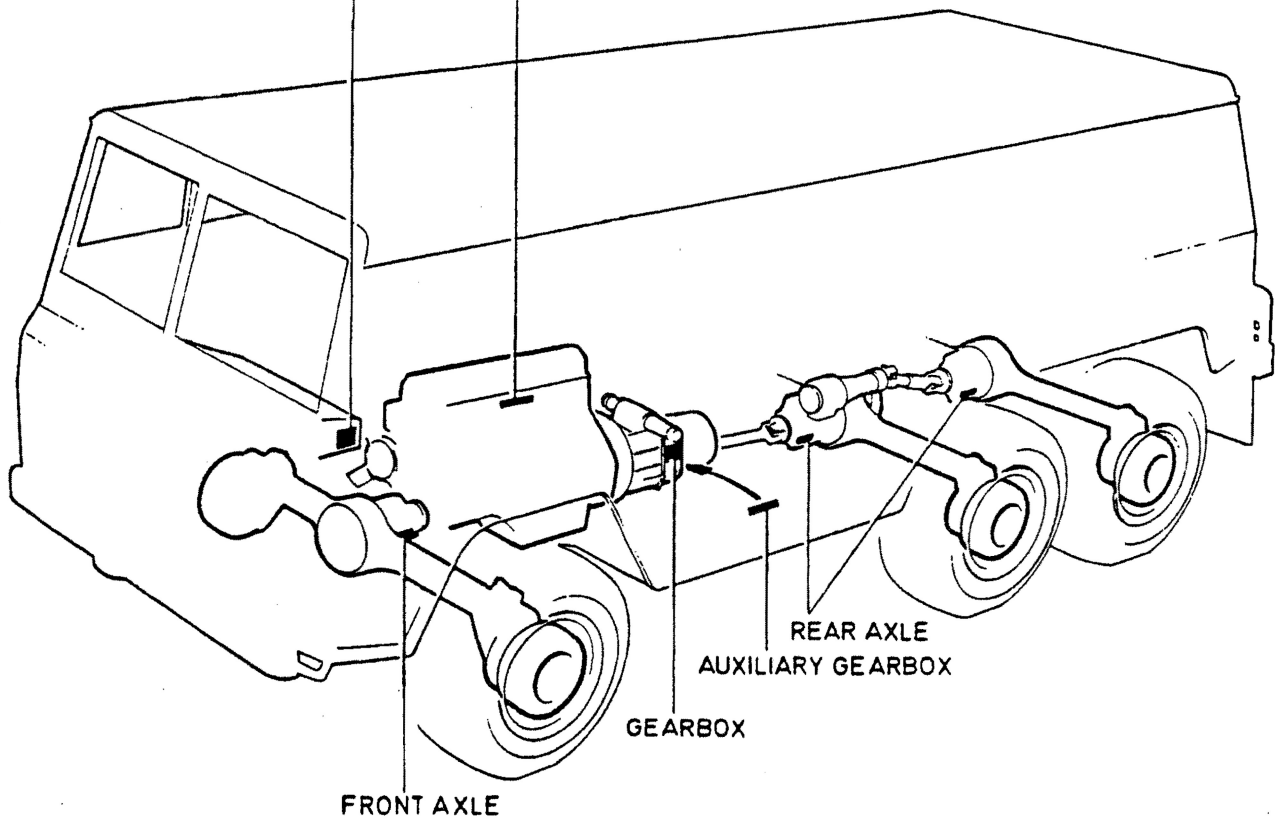
Group
01
Page
14

FOREWORD (GB)

MODEL DESIGNATION AND CHASSIS NUMBER



ENGINE DESIGNATION



**VOLVO**  
Genuine Parts  
LV 011 53220