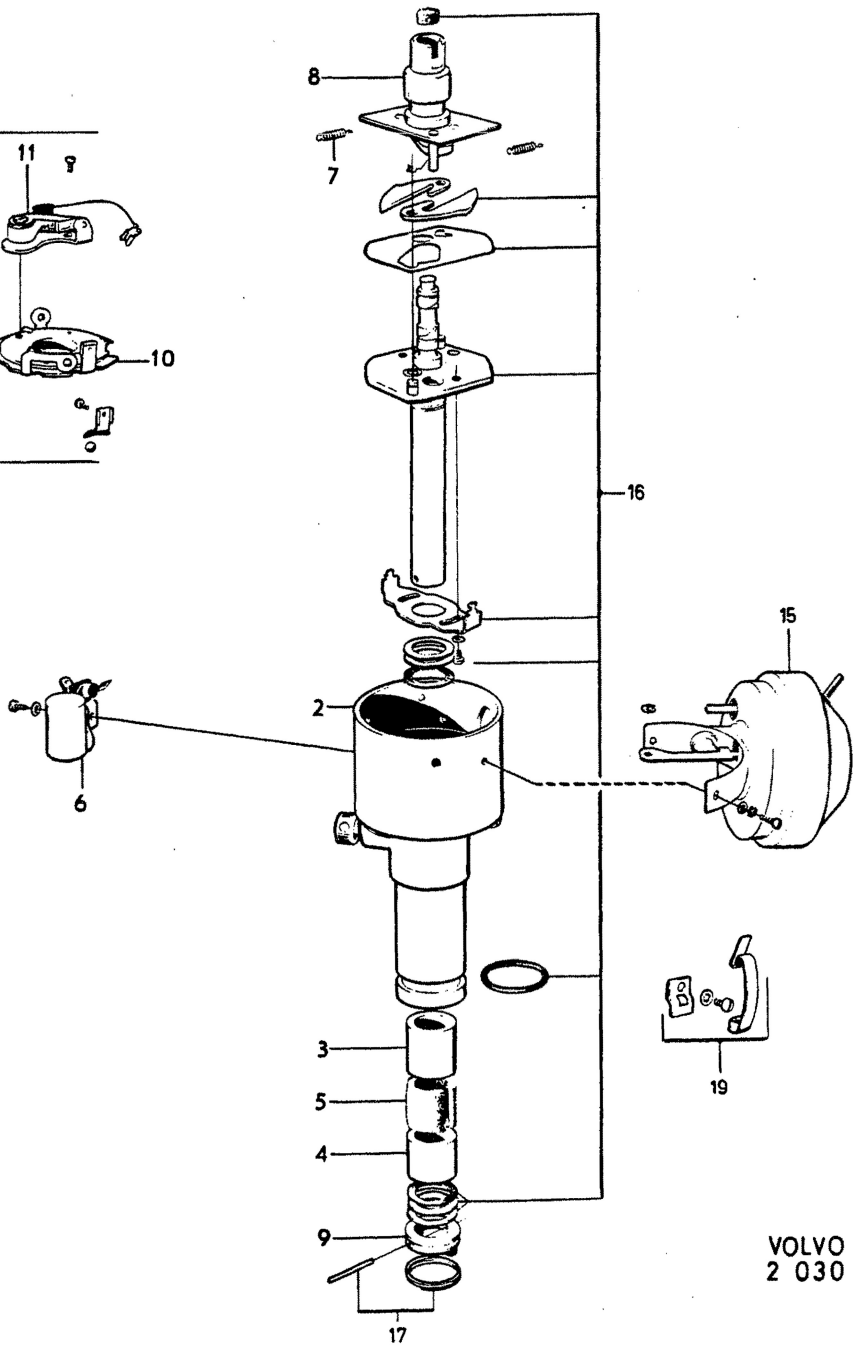
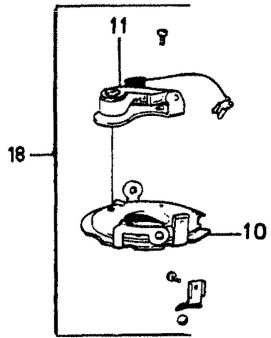
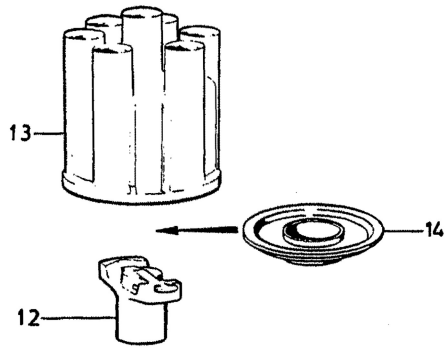
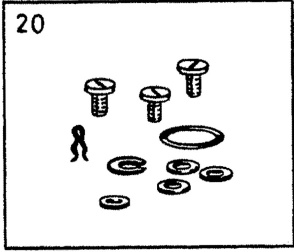


1



VOLVO PARTS  
2 030 19008

| A   |                        | 241532          |   |   |   |   | FÖRDELARE |                          | DISTRIBUTOR                |                     | Grupp<br>Group |  |
|-----|------------------------|-----------------|---|---|---|---|-----------|--------------------------|----------------------------|---------------------|----------------|--|
| B   |                        | 461668          |   |   |   |   |           |                          |                            |                     | 34             |  |
| C   |                        | 1560869         |   |   |   |   |           |                          |                            |                     | Sida<br>Page   |  |
| D   |                        | 461660          |   |   |   |   |           |                          |                            |                     | 185            |  |
| E   |                        |                 |   |   |   |   |           |                          |                            |                     |                |  |
| Pos | Artikel nr<br>Part No. | Antal /Quantity |   |   |   |   | P<br>S    | Benämning                | Description                | Anmärkning<br>Notes | S<br>R         |  |
|     |                        | A               | B | C | D | E |           |                          |                            |                     |                |  |
| 1   | (241532)               | 1               | - | - | - | - | SP        | Fördelare .....          | Distributor .....          | REPL 1PCS 461660-3  | 6              |  |
|     | 461668-6               | -               | 1 | - | - | - |           | Fördelare .....          | Distributor .....          |                     | 3              |  |
|     | 1560869-8              | -               | - | 1 | - | - |           | Fördelare .....          | Distributor .....          | 1)                  | 3              |  |
|     | 461660-3               | -               | - | - | 1 | - |           | Fördelare .....          | Distributor .....          |                     | 3              |  |
| 2   |                        | 1               | 1 | 1 | 1 | - | NS        | • Hus .....              | • Housing .....            |                     |                |  |
| 3   | 233263-3               | 1               | - | - | - | - |           | • Bussning .....         | • Bushing .....            | (233262)            | 3              |  |
| 4   | 238850-2               | 1               | - | - | - | - |           | • Bussning, undre .....  | • Bushing, lower .....     |                     | 3              |  |
| 5   | 241396-1               | 1               | - | - | - | - |           | • Smörjfilt .....        | • Lubricator felt .....    |                     | 2              |  |
| 6   | 241650-1               | 1               | - | - | - | - |           | • Kondensator .....      | • Capacitor .....          |                     | 1              |  |
|     | 243802-6               | -               | 1 | - | - | - |           | • Kondensator .....      | • Capacitor .....          |                     | 1              |  |
|     | 238852-8               | -               | - | 1 | - | - |           | • Kondensator .....      | • Capacitor .....          |                     | 1              |  |
|     | 243802-6               | -               | - | - | 1 | - |           | • Kondensator .....      | • Capacitor .....          |                     | 1              |  |
| 7   | 241667-5               | 2               | - | - | - | - |           | • Fjäder .....           | • Spring .....             |                     | 2              |  |
| 8   | 241668                 | 1               | - | - | - | - | NS        | • Brytarkam .....        | • Breaker cam .....        |                     |                |  |
| 9   | 233836-6               | 1               | - | - | - | - |           | • Medbringare .....      | • Companion flange .....   |                     | 4              |  |
| 10  | 241651-9               | 1               | - | - | - | - |           | • Brytarplatta .....     | • Breaker plate .....      |                     | 1              |  |
| 11  | 241652-7               | 1               | 1 | - | 1 | - |           | • • Kontaktsats .....    | • • Contact kit .....      |                     | 1              |  |
|     | 241335-9               | -               | - | 1 | - | - |           | • • Kontaktsats .....    | • • Contact kit .....      |                     | 1              |  |
| 12  | 243903-2               | 1               | - | 1 | - | - |           | • Fördelararm .....      | • Distributor arm .....    | (240305)            | 1              |  |
|     | 243657-4               | -               | 1 | - | 1 | - |           | • Fördelararm .....      | • Distributor arm .....    |                     | 1              |  |
| 13  | 243658-2               | 1               | 1 | - | 1 | - |           | • Fördelarlock .....     | • Distributor cap .....    | (243803)            | 1              |  |
|     | 244264-8               | -               | - | 1 | - | - |           | • Fördelarlock .....     | • Distributor cap .....    |                     | 1              |  |
| 14  | 243761-4               | 1               | - | - | - | - |           | • Kondensspärr .....     | • Condensation trap .....  |                     | 2              |  |
|     | 243762-2               | -               | 1 | - | 1 | - |           | • Kondensspärr .....     | • Condensation trap .....  |                     | 2              |  |
| 15  | 241670-9               | 1               | - | - | - | - |           | • Vakuumpregulator ..... | • Vacuum regulator .....   |                     | 3              |  |
|     | 244179-8               | -               | 1 | - | - | - |           | • Vakuumpregulator ..... | • Vacuum regulator .....   |                     | 4              |  |
|     | 243984                 | -               | - | - | 1 | - | OP        | • Vakuumpregulator ..... | • Vacuum regulator .....   |                     | 3              |  |
| 16  | 241671-7               | 1               | - | - | - | - |           | Reparationssats .....    | Repair kit .....           |                     | 3              |  |
|     |                        |                 |   |   |   |   |           | Fördelare .....          | Distributor .....          |                     |                |  |
| 17  | 241656-8               | 1               | - | - | - | - |           | Reparationssats .....    | Repair kit .....           |                     | 3              |  |
|     |                        |                 |   |   |   |   |           | Medbringare .....        | Companion flange .....     |                     |                |  |
| 18  | 241658-4               | 1               | - | - | - | - |           | Reparationssats .....    | Repair kit .....           |                     | 3              |  |
|     |                        |                 |   |   |   |   |           | Brytarplatta .....       | Breaker plate .....        |                     |                |  |
| 19  | 241659-2               | 1               | - | - | - | - |           | Hållfjädersats .....     | Retaining spring kit ..... |                     | 2              |  |
| 20  | 273521-5               | -               | 1 | 1 | 1 | - |           | Reparationssats .....    | Repair kit .....           |                     | 3              |  |

1) För vagnar med speciell radioutrustning. / For vehicles with special radio equipment.