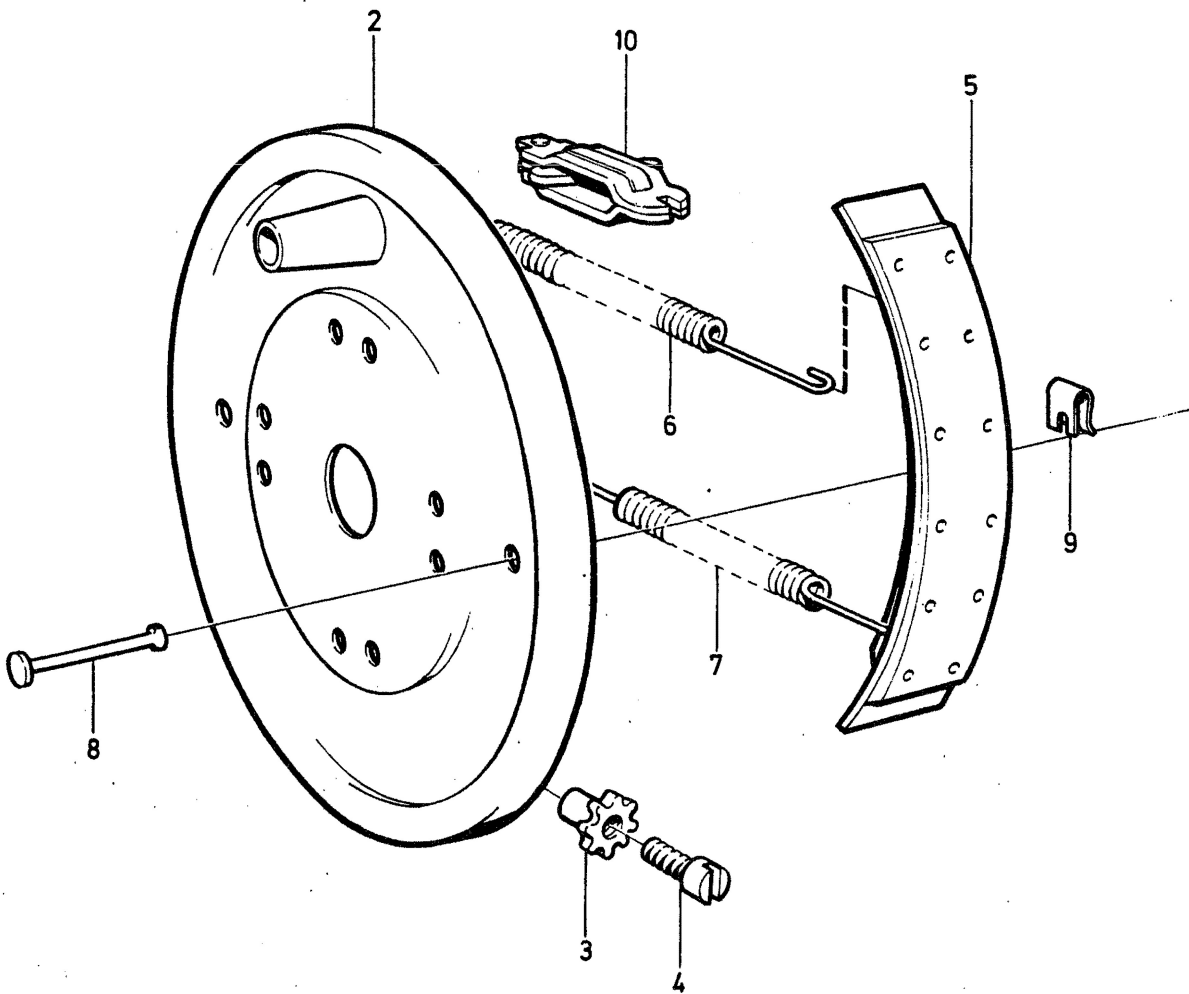


1



VOLVO PARTS
2 050 15720

| A | B | C | D | E | KARDANBROMS | PROPELLER SHAFT BRAKE | Grupp Group | | | | |
|-----|------------------------|-----------------|---|---|-------------|-----------------------|----------------|----------------------|-------------------------|---------------------|--------|
| | | | | | | | 55 | | | | |
| | | | | | | | Sida Page | | | | |
| | | | | | | | 365 | | | | |
| Pos | Artikel nr Part No. | Antal /Quantity | | | | | P S | Benämning | Description | Anmärkning Notes | S R |
| | | A | B | C | D | E | | | | | |
| 1 | 644684-3 | 1 | - | - | - | - | | Handbroms | Handbrake | | 4 |
| 2 | 1563041-1 | 1 | - | - | - | - | | • Bromssköld | • Backing plate | | 3 |
| 3 | 1563043-7 | 2 | - | - | - | - | | • Justermutter | • Adjusting nut | | 3 |
| 4 | 1563044-5 | 2 | - | - | - | - | | • Ställskruv | • Adjusting screw | | 3 |
| 5 | 1563045-2 | 2 | - | - | - | - | | • Bromsback | • Brake shoe | | 4 |
| 6 | 1563046-0 | 1 | - | - | - | - | | • Fjäder | • Spring | | 3 |
| 7 | 1563047-8 | 1 | - | - | - | - | | • Fjäder | • Spring | | 3 |
| 8 | 1563048-6 | 2 | - | - | - | - | | • Pinne | • Pin | | 3 |
| 9 | 1563049-4 | 2 | - | - | - | - | | • Låsfjäder | • Lock spring | | 3 |
| 10 | 1563050-2 | 1 | - | - | - | - | | • Hävarm | • Lever | | 3 |