

VOLVO PARTS  
1 040 11945

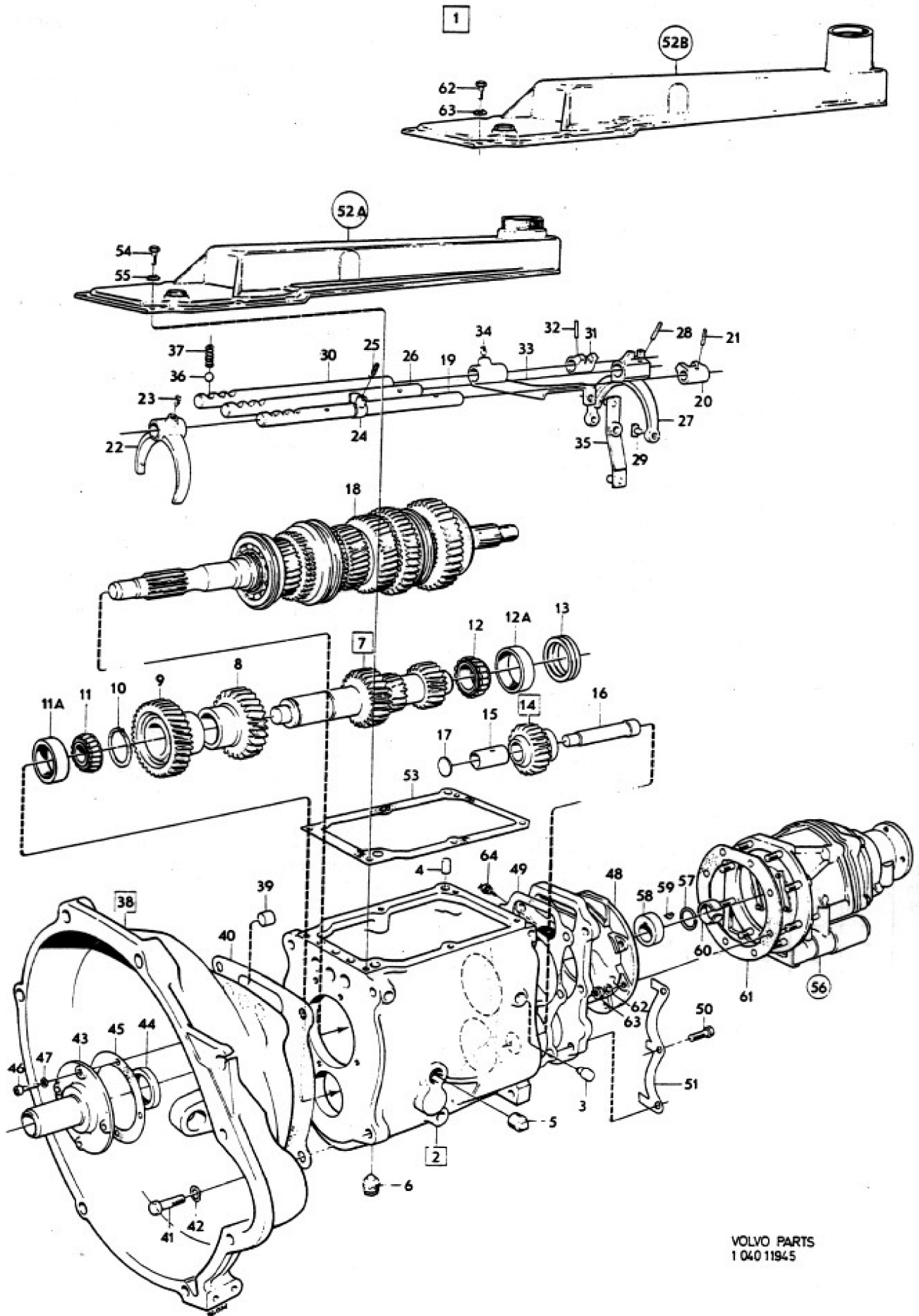


Sida	Grupp	Växellåda	Gearbox	Illustration Utgåva					
20	4	M410	M410	4					
Page	Group			11945 Issue					
Pos. Fig.	Antal/Quantity				Detalj nr Part No	Benämning	Description	Sats Kit	Anmärkning Notes
1	1	-	-	-	254589-5	Växellåda, kmpf	Gearbox, cpl	8	010
	1	-	-	-	254591-1	•Växellåda	•Gearbox	4	020
2	1	-	-	-	381103-1	••Hus	••Housing	4	030
3	1	-	-	-	656517-0	•••Lagertapp	•••Bearing pin		040
4	2	-	-	-	191529-7	•••Pinne	•••Pin		050
5	1	-	-	-	952358-0	••Propp	••Plug	0	060
6	1	-	-	-	951901-8	••Propp	••Plug	0	070
7	1	-	-	-	381050-4	••Mellanaxel	••Counter shaft	3	080
8	1	-	-	-		•••Kuggjul	•••Gear	8	090
9	1	-	-	-		•••Kuggjul	•••Gear	8	100
10	1	-	-	-	914463-5	•••Låsring	•••Circlip	0	110
11	1	-	-	-	183625-3	••Rullager, innerring	••Roller bearing, cone	1 (11022)	120
11a	1	-	-	-	183626-1	••Rullager, yttering	••Roller bearing, cup	1	125
12	1	-	-	-	183628-7	••Rullager, innerring	••Roller bearing, cone	1 (11023)	130
12a	1	-	-	-	183629-5	••Rullager, yttering	••Roller bearing, cup	1	135
13	-	-	-	-		••Justermellanlägg	••Shim		140
	ERF	-	-	-	945841-5	•••Tj 0,05	•••Th 0.05	(943174)	150
	ERF	-	-	-	945842-3	•••Tj 0,10	•••Th 0.10	(80491)	160
	ERF	-	-	-	945844-9	•••Tj 0,20	•••Th 0.20		165
	ERF	-	-	-	945846-4	•••Tj 0,30	•••Th 0.30	ERS AV 1 ST 945842-3	170
	ERF	-	-	-	80493-0	•••Tj 0,35	•••Th 0.35	1 ST 945844-9	175
	ERF	-	-	-				ERS AV 1 ST 945841-5	180
	ERF	-	-	-	945950-4	•••Tj 1,00	•••Th 1.00	1 ST 945842-3	182
14	1	-	-	-	381011-6	••Backjul	••Reverse gear	2	183
15	1	-	-	-		•••Bussning	•••Bushing	8	190
16	1	-	-	-	381179-1	••Axel	••Shaft	3	200
17	2	-	-	-	381180-9	••Stoppbricka	••Stop washer	2	210
18	1	-	-	-		••Ingående axel, huvudaxel	••Input shaft, main shaft		220
19	1	-	-	-	381147-8	••Skiftaxel, 3-an, 4-an	••Shift rail, 3rd, 4th	4	230
20	1	-	-	-	381043-9	••Medbringare	••Dog		240
21	1	-	-	-	951965-3	••Spännstift	••Tensioner pin	0	250
22	1	-	-	-	381038-9	••Skiftgaffel, 3-an, 4-an	••Shift fork, 3rd, 4th	4	260
23	1	-	-	-	656553-5	••Skruv	••Screw	2	270
24	1	-	-	-	381148-6	••Medbringare	••Dog		280
25	1	-	-	-	656553-5	••Skruv	••Screw	2	290
26	1	-	-	-	381034-8	••Skiftaxel, 1-an, 2-an	••Shift rail, 1st, 2nd	4	300
27	1	-	-	-	381037-1	••Skiftgaffel, 1-an, 2-an	••Shift fork, 1st, 2nd	4	310
28	1	-	-	-	951695-6	••Spännstift	••Tensioner pin	0	320
29	2	-	-	-	656549-3	••Medbringartapp	••Flange pin	2	330
30	1	-	-	-	381036-3	••Skiftstång, back	••Shift rail, reverse	4	340
31	1	-	-	-	381043-9	••Medbringare	••Companion flange	4	350
32	1	-	-	-	951695-6	••Spännstift	••Tensioner pin		360
33	1	-	-	-	381184-1	••Skiftgaffel, back	••Shift fork, reverse	4	370
34	1	-	-	-	656553-5	••Skruv	••Screw	2	380
35	1	-	-	-	381186-6	••Hävarm	••Lever	4	390
36	3	-	-	-	67089-3	••Kula	••Ball	2	400
37	3	-	-	-	381182-5	••Fjäder	••Spring	2	410
38	1	-	-	-	381167-6	••Kopplingskåpa	••Clutch casing	4	420
39	3	-	-	-	381007-4	•••Hattplugg	•••Plug pin	3	430
40	1	-	-	-	381051-2	••Packning	••Gasket	1	440
41	4	-	-	-	940134-0	••Skruv	••Screw	0	450
42	4	-	-	-	941909-4	••Fjädrande bricka	••Resilient washer	0	460
43	1	-	-	-	381059-5	••Lock	••Cover	2	470
44	1	-	-	-	191685-7	••Tätningssring	••Seal ring	1	480
45	1	-	-	-	381009-0	••Packning	••Gasket	1	490
46	4	-	-	-	942733-7	••Skruv	••Screw	0	500
47	4	-	-	-	380381-4	••Packning	••Packing	1	510
									520
									530



Sida Page	22	Grupp Group	4	Växellåda M410	Gearbox M410	Illustration Utgåva 11945 Issue	3
--------------	----	----------------	---	-------------------	-----------------	------------------------------------	---

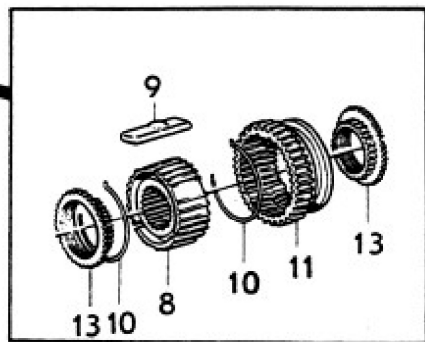
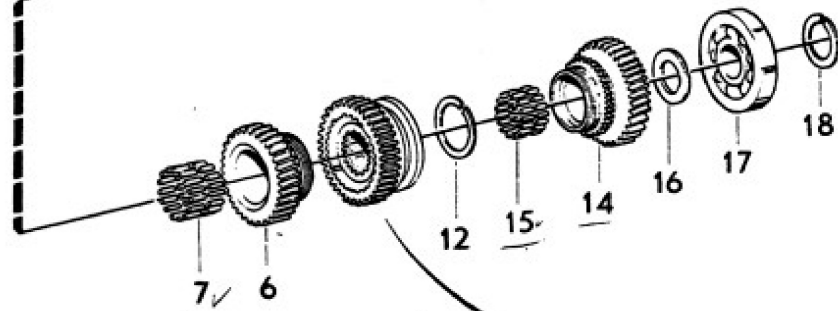
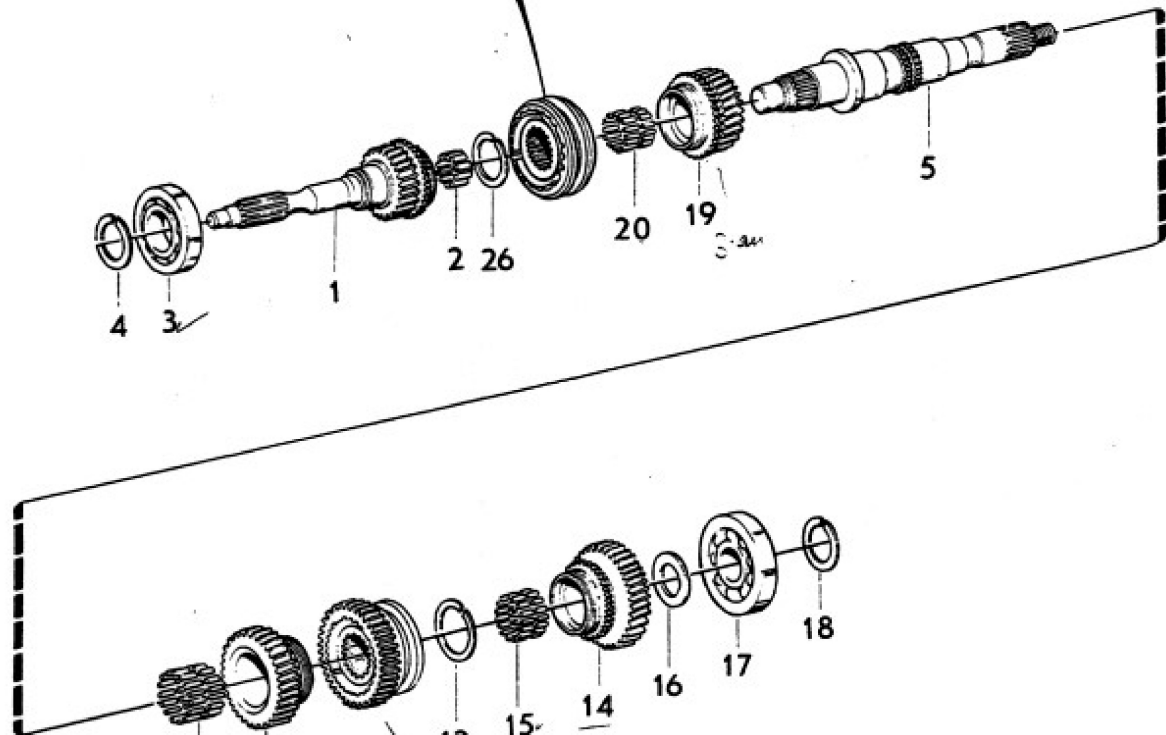
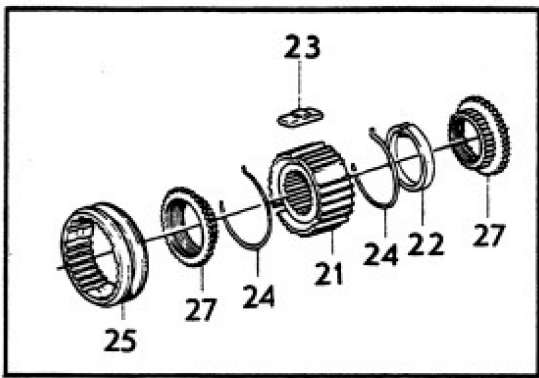
Pos. Fig.	Antal/Quantity				Detalj nr Part No	Benämning	Description	Sats Kit	Anmärkning Notes	
48	1	-	-	-	381144-5	••Mellanfläns .....	••Spacer flange .....	3		010
49	1	-	-	-	381146-0	••Packning .....	••Gasket .....	1		020
50	6	-	-	-	190524-9	••Skruv .....	••Screw .....	0		030
51	2	-	-	-	381145-2	••Låsbricka .....	••Lock washer .....	2		040
52a	1	-	-	-	254573-9	••Växellådslock .....	••Gearbox cover .....		TID.UTF.ERS AV 1 ST 254769-3,1 ST 381612-1 SEN.UTF.	050
52b	1	-	-	-	254769-3	••Växellådslock .....	••Gearbox cover .....			051
	-	-	-	-		•••Det se sida 26 .....	•••Components see page 26			052
53	1	-	-	-	381107-2	••Packning .....	••Gasket .....	1		060
54	6	-	-	-	940135-7	••Skruv .....	••Screw .....	0		070
55	6	-	-	-	190819-3	••Fjäderbricka .....	••Spring washer .....	0		080
56	1	-	-	-	254601-8	•Överväxel .....	•Overdrive .....	4		090
	-	-	-	-		••Det se sida 28 .....	••Components see page 28			100
57	1	-	-	-	380654-4	•Ring .....	•Ring .....			110
58	1	-	-	-	380652-8	•Kam .....	•Cam .....	3		120
59	1	-	-	-	191882-0	•Kil .....	•Key .....	0		130
60	1	-	-	-	380653-6	•Låsring .....	•Circlip .....	3		140
61	1	-	-	-	380618-9	•Packning .....	•Gasket .....	1		150
62	8	-	-	-	955920-4	•Fjäderbricka .....	•Spring washer .....	0		160
63	8	-	-	-	955846-1	•Mutter .....	•Nut .....	0		170
64	1	-	-	-	381044-7	Kontakt för backljus .....	Switch for back-up light .....	1		180
										190



VOLVO PARTS  
1 04011945



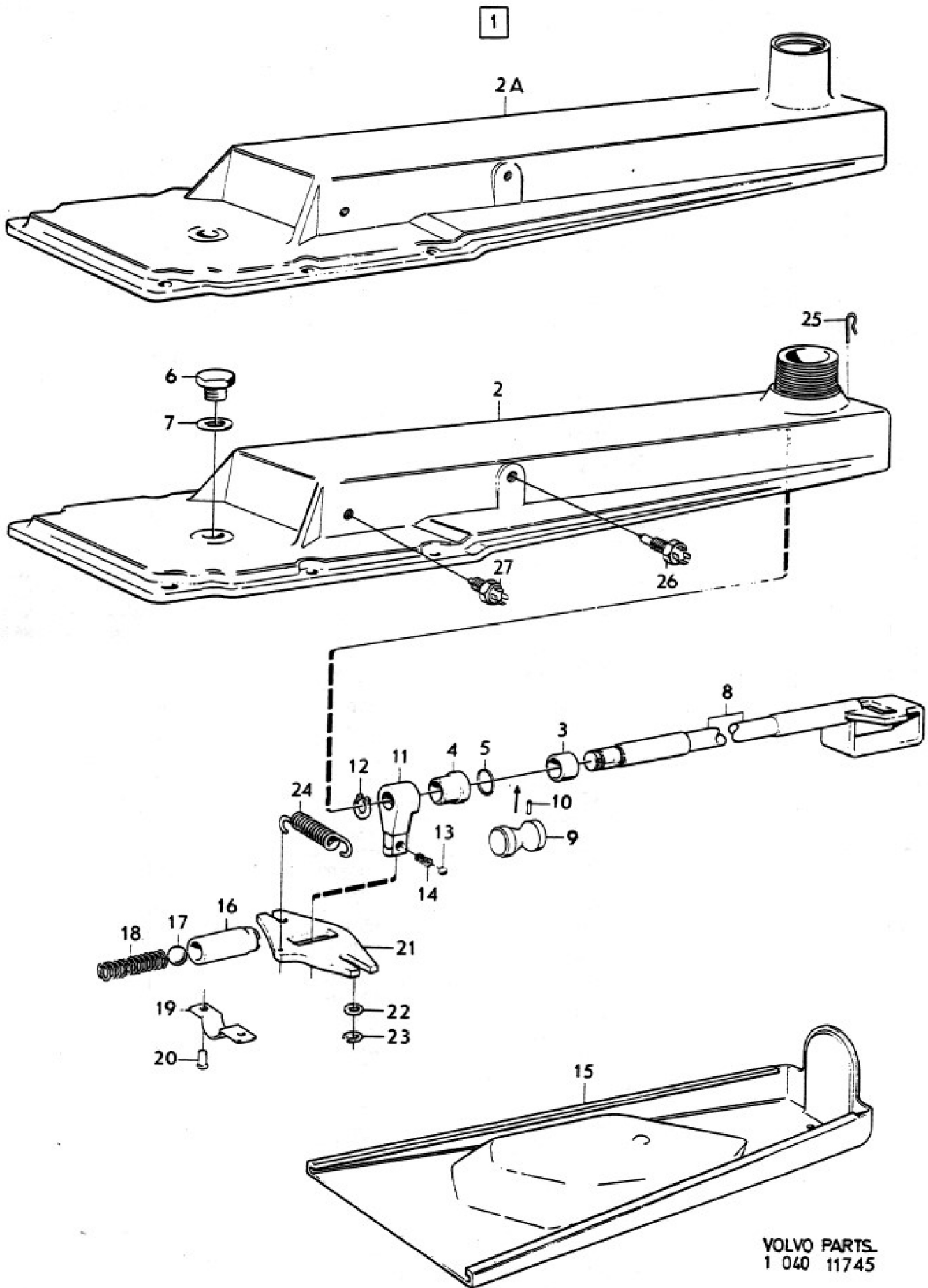
Sida	Grupp	Växellåda	Gearbox	Illustration Utgåva					
24	4	M410	M410	3					
Page	Group	Ingående axel, huvudaxel	Input shaft, main shaft	10433 Issue					
Pos. Fig.	Antal/Quantity				Detalj nr Part No	Benämning	Description	Sats Kit	Anmärkning Notes
1	1	—	—	—	381060-3	Ingående axel .....	Input shaft .....	3	010
2 ✓	1	—	—	—	183317-7	Nållager .....	Needle bearing .....	1	020
3 ✓	1	—	—	—	11108-8	Kullager .....	Ball bearing .....	1	030
4	1	—	—	—		Låsring, alt .....	Circlip, alt .....		040
	—	—	—	—	942723-8	•Tj 2,0 .....	•Th 2.0 .....	2	050
	—	—	—	—	942724-6	•Tj 2,1 .....	•Th 2.1 .....	2	060
	—	—	—	—	942725-3	•Tj 2,2 .....	•Th 2.2 .....	2	070
	—	—	—	—	942726-1	•Tj 2,3 .....	•Th 2.3 .....	2	080
5	1	—	—	—	381105-6	Huvudaxel .....	Main shaft .....	3	090
6	1	—	—	—	381019-9	Kugghjul, 2-an .....	Gear, 2nd .....	3	100
7	1	—	—	—	183377-1	Nållager .....	Needle bearing .....	1	120
8	1	—	—	—	381023-1	Synkroniseringsnav .....	Synchronizing hub .....	3	130
9	3	—	—	—	380141-2	Medbringare .....	Locaiting key .....	1	140
10	2	—	—	—	381024-9	Fjädderring .....	Clamping ring .....	1	150
11	1	—	—	—	381025-6	Kopplingshylsa .....	Engaging sleeve .....	2	160
12	1	—	—	—		Låsring, alt .....	Circlip, alt .....		190
	—	—	—	—	942730-3	•Tj 2,0 .....	•Th 2.0 .....	2	200
	—	—	—	—	942731-1	•Tj 2,1 .....	•Th 2.1 .....	2	210
	—	—	—	—	942732-9	•Tj 2,2 .....	•Th 2.2 .....	2	220
13	2	—	—	—	381030-6	Synkroniseringskona .....	Synchronizing cone .....	1	230
14	1	—	—	—	381073-6	Kugghjul, 1-an .....	Gear, 1st .....	3	240
15	1	—	—	—	183285-6	Nållager .....	Needle bearing .....	1	250
16	1	—	—	—	381015-7	Distansring .....	Spacer ring .....	3	260
17 ✓	1	—	—	—	183573-5	Kullager .....	Ball bearing .....	1 (181198)	270
18	1	—	—	—		Låsring, alt .....	Circlip, alt .....		280
	—	—	—	—	190684-1	•Tj 2,00 .....	•Th 2.00 .....	2	290
	—	—	—	—	190685-8	•Tj 2,10 .....	•Th 2.10 .....	2	300
	—	—	—	—	190686-6	•Tj 2,15 .....	•Th 2.15 .....	2	310
	—	—	—	—	190687-4	•Tj 2,25 .....	•Th 2.20 .....	2	320
	—	—	—	—	190688-2	•Tj 2,30 .....	•Th 2.30 .....	2	330
19	1	—	—	—	381020-7	Kugghjul, 3-an .....	Gear, 3rd .....	3	335
20 ✓	1	—	—	—	183285-6	Nållager .....	Needle bearing .....	1	340
21	1	—	—	—	381027-2	Synkroniseringsnav .....	Synchronizing hub .....	ERS AV 1 ST 381202-1, 1 ST 381201-3.	333
	1	—	—	—	381202-1	Synkroniseringsnav .....	Synchronizing hub .....	3	335
22	1	—	—	—	381201-3	Fjädderring .....	Clamping ring .....		336
23	3	—	—	—	656514-7	Medbringare .....	Locaiting key .....	1	340
24	2	—	—	—	381024-9	Fjädderring .....	Clamping ring .....	1	360
25	1	—	—	—	381029-8	Kopplingshylsa .....	Engaging sleeve .....	3	370
26	1	—	—	—		Låsring, alt. ....	Circlip, alt .....		380
	—	—	—	—	942727-9	•Tj 2,0 .....	•Th 2.0 .....	2	390
	—	—	—	—	942728-7	•Tj 2,1 .....	•Th 2.1 .....	2	400
	—	—	—	—	942729-5	•Tj 2,2 .....	•Th 2.2 .....	2	
27	2	—	—	—	381030-6	Synkroniseringskona .....	•Synchronizing cone .....	1	



VOLVO PARTS  
1 040 10433



Sida	Grupp	Växellåda				Gearbox	Illustration Utgåva		
26	4	M41,M410				M41,M410	5		
Page	Group	Växellådslock				Gearbox cover	11745 Issue		
Pos. Fig.	Antal/Quantity				Detalj nr Part No	Benämning	Description	Sats Kit	Anmärkning Notes
	254 573	254 707	254 723	254 769					
1	1	-	-	-	254573-9	Växellådslock .....	Gearbox cover .....		004
	-	1	-	-	254707-3	Växellådslock .....	Gearbox cover .....		005
	-	-	1	-	254723-0	Växellådslock .....	Gearbox cover .....		010
	-	-	-	1	254769-3	Växellådslock .....	Gearbox cover .....		020
2	1	1	1	-		•Lock .....	•Cover .....	8	030
2a	-	-	-	1		•Lock .....	•Cover .....	8	040
3	1	1	1	1		•Bussning .....	•Bushing .....		050
4	1	1	1	1	381164-3	•Bussning .....	•Bushing .....		060
5	1	1	1	1	943644-5	•O-ring .....	•O-ring .....		070
6	1	1	1	1	191900-0	•Propp .....	•Plug .....		080
7	1	1	1	1	11996-6	•Packning .....	•Packing .....		090
8	1	-	1	1	381170-0	•Växelförare .....	•Gear selector .....		100
	-	1	-	-	381460-5	•Växelförare .....	•Gear selector .....		110
9	-	1	-	-	380866-4	•Medbringare .....	•Dog .....		120
10	-	1	-	-	951946-3	•Spännstift .....	•Tensioner pin .....		130
11	1	1	1	1	381252-6	•Tapp .....	•Pin .....	(381165)	140
12	1	1	1	1	951671-7	•Låsring .....	•Circlip .....		150
13	1	1	1	1	31449-2	•Kula .....	•Ball .....		160
14	1	1	1	1	380352-5	•Fjäder .....	•Spring .....		170
15	1	1	1	1	381169-2	•Skyddskåpa .....	•Protector casing .....		180
16	1	1	1	1	381150-2	•Hylsa .....	•Sleeve .....		190
17	1	1	1	1	181329-4	•Kula .....	•Ball .....		200
18	1	1	1	1	381178-3	•Fjäder .....	•Spring .....		210
19	1	1	1	1	656547-7	•Överfall .....	•Cap .....		220
20	2	2	2	2	952517-1	•Nit .....	•Rivet .....		230
21	1	1	1	1	656542-8	•Spärrplatta .....	•Interlock plate .....		240
22	2	2	2	2	18696-5	•Bricka .....	•Washer .....		250
23	2	2	2	2	951669-1	•Låsring .....	•Circlip .....		260
24	1	1	1	1	380232-9	•Fjäder .....	•Spring .....		270
25	1	-	-	-	381189-0	•Låsfjäder .....	•Lock spring .....		280
26	-	1	-	-	1212591-0	•Elkontakt, 2-stift .....	•Switch, 2-pin .....		290
27	-	-	1	1	381251-8	•Elkontakt, 3-stift .....	•Switch, 3-pin .....		300
									310
									320



VOLVO PARTS.  
1 040 11745