

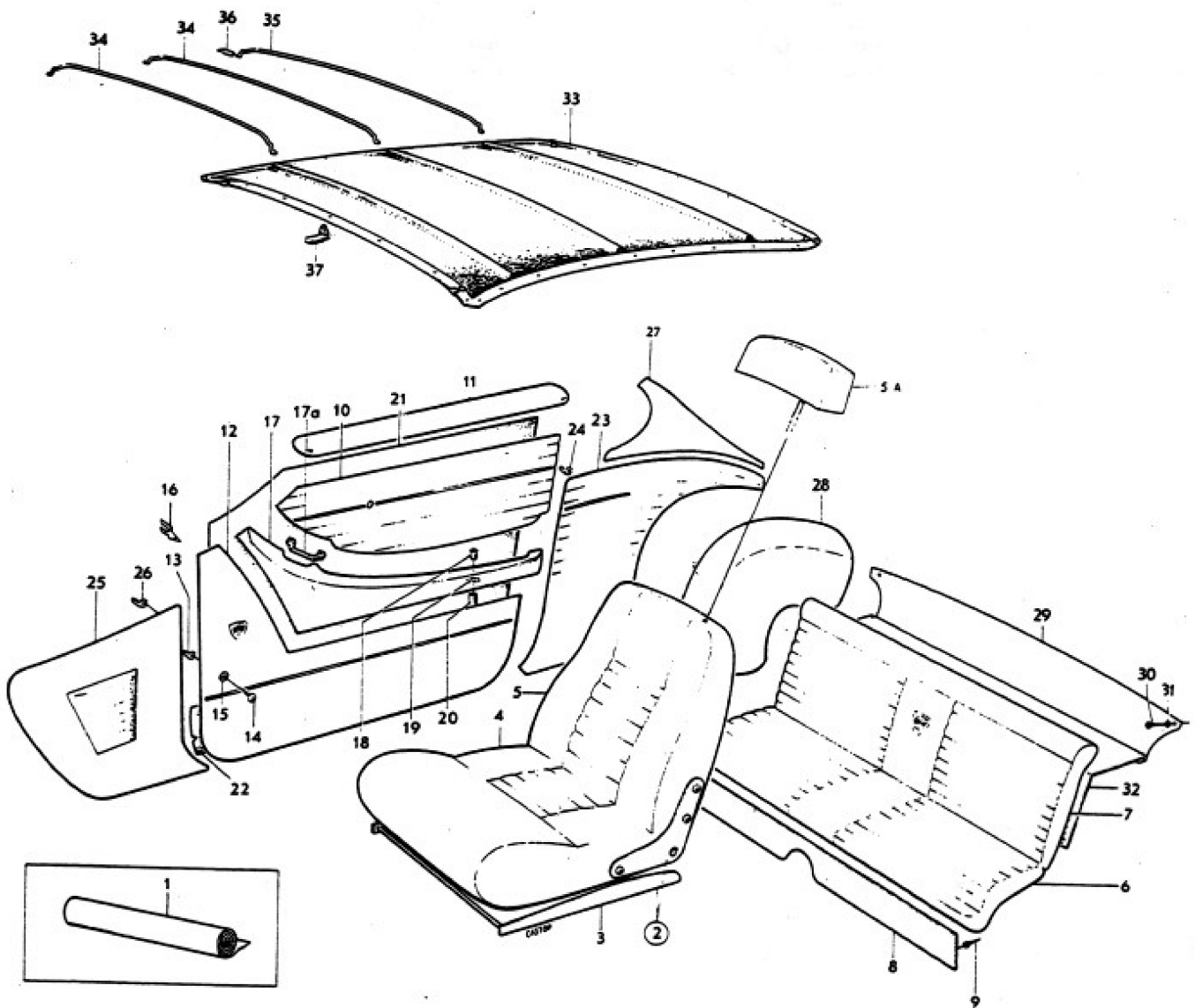
**VOLVO**  
KA 7344



Sida	Grupp	Innerklädsel 182		Upholstery 182		Illustration Utgåva				
58	8	komb 307, 308, 310, 317		komb 307, 308, 310, 317		3				
Page	Group					7344 Issue				
Pos. Fig.	Antal/Quantity				Detail nr Part No	Benämning	Description	Sats Kit	Anmärkning Notes	004
	307	308	310	317						
1	ERF	-	-	-	99617-3	Vävplast, röd .....	Plastic-coated fabric, .....	11) METERVARA	010	
	-	-	-	-		Läder, rött .....	Leather, red .....	8	020	
	-	-	-	-		Produktskyften .....	Designation plate .....		030	
	-	-	-	-		stämplad 307-500	stamped 307-500		040	
	-	ERF	-	-	99949-0	Vävplast, svart .....	Plastic-coated fabric, .....	11) METERVARA (99619)	050	
	-	-	-	-		Läder, svart .....	Leather, black .....	8	060	
	-	-	-	-		Produktskyften .....	Designation plate .....		070	
	-	-	-	-		stämplad 308-501	stamped 308-501		080	
	-	-	ERF	-	99766-8	Vävplast, läderfärg .....	Plastic-coated fabric, .....	11) METERVARA	090	
	-	-	-	-		Produktskyften .....	Designation plate .....		100	
	-	-	-	-		stämplad 310-557	stamped 310-557		120	
	-	-	-	ERF	99617-3	Vävplast, röd .....	Plastic-coated fabric, .....	11) METERVARA	130	
	-	-	-	-		Läder, rött .....	Leather red .....	8	140	
	-	-	-	-		Produktskyften .....	Designation plate .....		150	
	-	-	-	-		stämplad 317-540	stamped 317-540		160	
2	1	-	-	1	695577-7	Framstol, V .....	Front seat, L .....	(693224)	170	
	-	1	-	-	695573-6	Framstol, V .....	Front seat, L .....	(693226)	190	
	-	-	1	-	682499-9	Framstol, V .....	Front seat, L .....	(692190)	200	
	1	-	-	1	695578-5	Framstol, H .....	Front seat, R .....	(682496)	210	
	-	1	-	-	695574-4	Framstol, H .....	Front seat, R .....	(693227)	220	
	-	-	1	-	682500-4	Framstol, H .....	Front seat, R .....	(692191)	230	
3	ERF	-	-	ERF	99617-3	•Klädsel .....	•Cover .....	METERVARA	240	
	-	ERF	-	-	99949-0	•Klädsel .....	•Cover .....	METERVARA	250	
	-	-	ERF	-	99766-8	•Klädsel .....	•Cover .....	METERVARA	260	
4	2	-	-	2	691037-6	•Klädsel .....	•Cover .....	METERVARA	270	
	-	2	-	-	693240-4	•Klädsel .....	•Cover .....	(691052)	280	
	-	-	2	-	692171-2	•Klädsel .....	•Cover .....		290	
5	2	-	-	-	691038-4	•Klädsel .....	•Cover .....	CH-28781	300	
	2	-	-	-	693242-0	•Klädsel .....	•Cover .....	CH 28782- (693454)	310	
	-	2	-	-	691053-3	•Klädsel .....	•Cover .....	CH-28781	320	
	-	2	-	-	693243-8	•Klädsel .....	•Cover .....	CH 28782- (693453)	330	
	-	-	2	-	692172-0	•Klädsel .....	•Cover .....	CH-28781	340	
	-	-	2	-	693455-8	•Klädsel .....	•Cover .....	CH 28782-	350	
	-	-	-	2	691038-4	•Klädsel .....	•Cover .....	CH-28638	360	
	-	-	-	2	693242-0	•Klädsel .....	•Cover .....	CH 28639- (693454)	370	
	-	-	-	-		•Övriga ingående .....	•Other pertaining .....		380	
	-	-	-	-		det. se sida 100, 102	parts, see page 100, 102		390	
5a	2	-	-	2	693456-6	Klädsel .....	Cover .....	SPEC UTF 5589	400	
	-	2	-	-	692659-6	Klädsel .....	Cover .....	SPEC UTF 5590	410	
	-	-	2	-	692660-4	Klädsel .....	Cover .....	SPEC UTF 5591	420	
6	1	-	-	1	691071-5	Klädsel .....	Cover .....		430	
	-	1	-	-	693252-9	Klädsel .....	Cover .....	(691072)	440	
	-	-	1	-	692173-8	Klädsel .....	Cover .....		450	
7	1	-	-	1	691039-2	Klädsel .....	Cover .....		460	
	-	1	-	-	691054-1	Klädsel .....	Cover .....		470	
	-	-	1	-	692174-6	Klädsel .....	Cover .....		480	
8	1	-	-	1	691040-0	Klädsel .....	Cover .....		490	
	-	1	-	-	691055-8	Klädsel .....	Cover .....		500	
	-	-	1	-	692177-9	Klädsel .....	Cover .....		510	
9	4	4	4	4	94942-0	Fäste .....	Anchorage .....	3	520	



Sida	Grupp	Innerklädsel 182				Upholstery 182				Illustration Utgåva
60	8	komb 307, 308, 310, 317				komb 307, 308, 310, 317				5
Page	Group									7344 Issue
Pos. Fig.	Antal/Quantity				Detailj nr Part No	Benämning	Description	Sats Kit	Anmärkning Notes	004
	307	308	310	317						
10	1	—	—	—	1	691415-4 Dörrpanel, övre, V .....	Door panel, upper, L .....			010
	—	1	—	—	—	691417-0 Dörrpanel, övre, V .....	Door panel, upper, L .....			011
	—	—	1	—	—	692178-7 Dörrpanel, övre, V .....	Door panel, upper, L .....			012
	1	—	—	—	1	691416-2 Dörrpanel, övre, H .....	Door panel, upper, R .....			020
	—	1	—	—	—	691418-8 Dörrpanel, övre, H .....	Door panel, upper, R .....			030
	—	—	1	—	—	692179-5 Dörrpanel, övre, H .....	Door panel, upper, R .....			040
11	1	1	1	1	1	668378-3 Dyna, V .....	Cushion, L .....			050
	1	1	1	1	1	668379-1 Dyna, H .....	Cushion, R .....			060
12	1	—	—	—	1	691047-5 Dörrpanel, nedre, V .....	Door panel, lower, L .....			070
	—	1	—	—	—	691062-4 Dörrpanel, nedre, V .....	Door panel, lower, L .....			080
	—	—	1	—	—	692180-3 Dörrpanel, nedre, V .....	Door panel, lower, L .....			09
	1	—	—	—	1	691048-3 Dörrpanel, nedre, H .....	Door panel, lower, R .....			100
	—	1	—	—	—	691063-2 Dörrpanel, nedre, H .....	Door panel, lower, R .....			110
	—	—	1	—	—	692181-1 Dörrpanel, nedre, H .....	Door panel, lower, R .....			120
13	30	30	30	30	30	95290-3 Fäste .....	Anchorage .....	2		130
14	4	4	4	4	4	955156-5 Skruv .....	Screw .....	0		140
15	4	4	4	4	4	959058-9 Bricka .....	Washer .....	0		15
16	2	2	2	2	2	668017-7 Fäste .....	Anchorage .....	3		160
17	1	—	—	—	1	691084-8 Armstöd, V .....	Armrest, L .....			170
	—	1	—	—	—	665409-9 Armstöd, V .....	Armrest, L .....			180
	—	—	1	—	—	Dörrpanel, nedre, V .....	Door panel, lower, L .....	8	12) (692180)	190
	1	—	—	—	1	691085-5 Armstöd, H .....	Armrest, R .....			200
	—	1	—	—	—	665410-7 Armstöd, H .....	Armrest, R .....			210
	—	—	1	—	—	692198-5 Armstöd, H .....	Armrest, R .....			220
17a	2	2	2	2	2	668277-7 •Prydnadsbricka .....	•Trim washer .....			230
18	2	2	2	2	2	•Dräneringsrör .....	•Drain tube .....	8	(667827)	240
19	2	2	2	2	2	667828-8 •Spärrbricka .....	•Lock washer .....			250
20	2	2	2	2	2	667826-2 Slang .....	Hose .....			260
21	2	2	2	2	2	1211694-3 Skyddspapp .....	Liner .....		(668986)	270
22	2	2	2	2	2	686940-8 Skyddspapp .....	Liner .....		(668987)	280
23	1	—	—	—	1	691041-8 Panel, V .....	Panel, L .....			290
	—	1	—	—	—	691056-6 Panel, V .....	Panel, L .....			300
	—	—	1	—	—	692182-9 Panel, V .....	Panel, L .....			310
	1	—	—	—	1	691042-6 Panel, H .....	Panel, R .....			320
	—	1	—	—	—	691057-4 Panel, H .....	Panel, R .....			330
	—	—	1	—	—	Panel, H .....	Panel, R .....	8	12) (692183)	340
24	16	16	16	16	16	95290-3 Fäste .....	Anchorage .....	2		35
25	1	—	—	—	1	691034-3 Torpedpanel, V .....	Cowl panel, L .....	3		36
	—	1	—	—	—	691049-1 Torpedpanel, V .....	Cowl panel, L .....	3		370
	—	—	1	—	—	692186-0 Torpedpanel, V .....	Cowl panel, L .....	3		380
	1	—	—	—	1	691035-0 Torpedpanel, H .....	Cowl panel, R .....	3		390
	—	1	—	—	—	691050-9 Torpedpanel, H .....	Cowl panel, R .....	3		400
	—	—	1	—	—	692187-8 Torpedpanel, H .....	Cowl panel, R .....	3		41
26	12	12	12	12	12	95290-3 Fäste .....	Anchorage .....	2		42
27	1	—	—	—	1	691027-7 Panel, V .....	Panel, L .....			430
	—	1	—	—	—	691029-3 Panel, V .....	Panel, L .....			440
	—	—	1	—	—	692184-5 Panel, V .....	Panel, L .....			450
	1	—	—	—	—	691028-5 Panel, H .....	Panel, R .....			460
	—	1	—	—	—	691030-1 Panel, H .....	Panel, R .....			470
	—	—	1	—	—	692185-2 Panel, H .....	Panel, R .....			480
28	1	—	—	—	1	691043-4 Klädsel, V .....	Upholstery, L .....			490
	—	1	—	—	—	693217-2 Klädsel, V .....	Upholstery, L .....		(691058)	500
	—	—	1	—	—	692188-6 Klädsel, V .....	Upholstery, L .....			510
	1	—	—	—	1	691044-2 Klädsel, H .....	Upholstery, R .....			520
	—	1	—	—	—	691059-0 Klädsel, H .....	Upholstery, R .....			530
	—	—	1	—	—	692189-4 Klädsel, H .....	Upholstery, R .....			540
29	1	1	—	—	1	Klädsel .....	Upholstery .....	8	12) (691066)	550
	—	—	1	—	—	691658-9 Klädsel .....	Upholstery .....			560
30	2	2	2	2	2	955165-6 Skruv .....	Screw .....	0		570
31	2	2	2	2	2	959058-9 Bricka .....	Washer .....	0		580
32	—	—	—	—	—	Hylla .....	Shelf .....		SE SIDA 102	590
33	1	1	1	1	1	692407-0 Taktyg .....	Headlining .....	3		600



VOLVO  
KA 7344

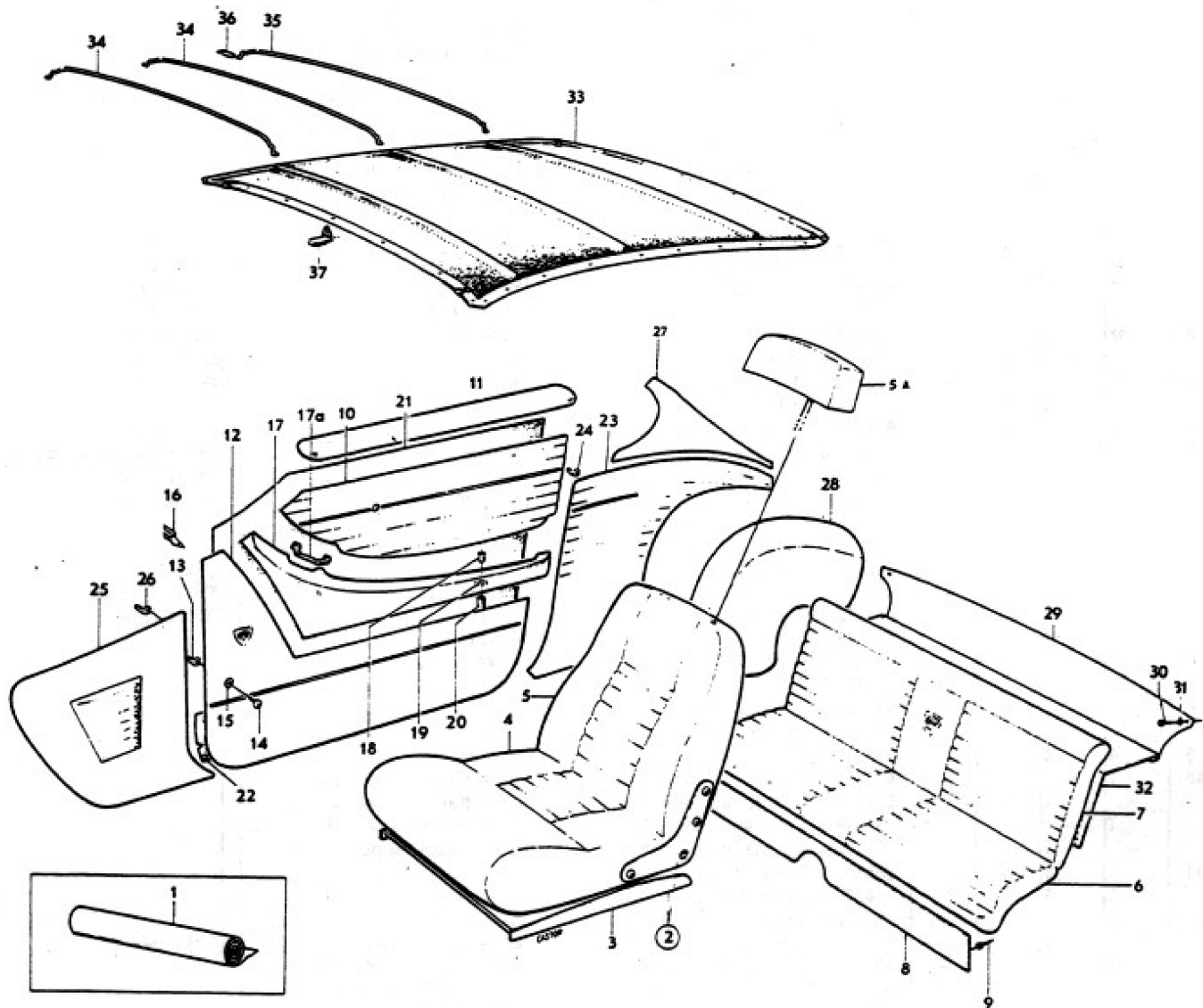


Sida Page	62	Grupp Group	8	Innerklädsel 182 komb 307, 308, 310, 317	Upholstery 182 komb 307, 308, 310, 317	Illustration Utgåva 7344 Issue	3
--------------	----	----------------	---	---	---	-----------------------------------	---

Pos. Fig.	Antal/Quantity				Detalj nr Part No	Benämning	Description	Sats Kit	Anmärkning Notes	
	307	308	310	317						
34	2	2	2	2	669903-7	Taksprygel .....	Roof bow .....			010
35	1	1	1	1	669904-5	Taksprygel .....	Roof bow .....			020
36	6	6	6	6	669908-6	Gummiskoning .....	Rubber pad .....			030
37	36	36	36	36	666171-4	Klammer .....	Clamp .....			040

11) Enhet kvadratmeter. Metervarans bredd = 130 cm. Unit: Square metres. Width of material = 130 cm. Unités, en mètres carrés. Au mètre de largeur 130 cm. Einheit, Quadratmeter. Breite der Meterware = 130 cm. Unidad, en metros cuadrados. Por metro, ancho 130 cm.

12) Ersättes av motsvarande klädselmaterial i metervara. Replaced by the corresponding material sold by length. Remplacement de garniture correspondante en mètre. Wird durch das jetzige Bezugsmaterial in Metervare ersetzt. Sustituye el tapizado correspondiente vendido por metro.



VOLVO  
KA 7344



Sida <b>64</b>	Grupp <b>8</b>	Innerklädsel 182 komb 318, 320	Upholstery 182 komb 318, 320	Illustration Utgåva <b>4</b>
Page	Group			7344 Issue

Pos. Fig.	Antal/Quantity				Detail nr Part No	Benämning	Description	Sats Kit	Anmärkning Notes	
	318	320								
1	ERF	-	-	-	99949-0	Vävplast, svart .....	Plastic-coated fabric, .....		11) METERVARA (99619)	010
	-	-	-	-		Läder, svart .....	Leather, black .....	8		020
	-	-	-	-		Produktskylten .....	Designation plate .....			030
	-	-	-	-		stämplad 318-541	stamped 318-541			040
	-	ERF	-	-	99766-8	Vävplast, läderfärg .....	Plastic-coated fabric, .....		11) METERVARA	050
	-	-	-	-		Hide .....	Hide .....	8		060
	-	-	-	-		Läder, läderfärg .....	Leather, hide .....			070
	-	-	-	-		Produktskylten .....	Designation plate .....			080
	-	-	-	-		stämplad 320-558	stamped 320-558			090
2	1	-	-	-	695573-6	Framstol, V .....	Front seat, L .....		(691402)	100
	-	1	-	-	682499-9	Framstol, V .....	Front seat, L .....		(692190)	110
	1	-	-	-	695574-4	Framstol, H .....	Front seat, R .....		(693227)	120
	-	1	-	-	682500-4	Framstol, H .....	Front seat, R .....		(692191)	130
3	ERF	-	-	-	99619-9	•Klädsel .....	•Cover .....		METERVARA	140
	-	ERF	-	-	99766-8	•Klädsel .....	•Cover .....		METERVARA	150
4	2	-	-	-	693240-4	•Klädsel .....	•Cover .....		(691052)	160
	-	2	-	-	692171-2	•Klädsel .....	•Cover .....			170
5	2	-	-	-	691053-3	•Klädsel .....	•Cover .....		CH-28638	180
	2	-	-	-	693243-8	•Klädsel .....	•Cover .....		CH 28639- (693453)	190
	-	2	-	-	692172-0	•Klädsel .....	•Cover .....		CH-28638	200
	-	2	-	-	693455-8	•Klädsel .....	•Cover .....		CH 28639-	210
	-	-	-	-		•Övriga ingående .....	•Other pertaining .....			220
	-	-	-	-		det. se sida 100, 102	parts, see page 100, 102			230
5a	2	-	-	-	692659-6	Klädsel .....	Cover .....		SPEC UTF 5590	240
	-	2	-	-	692660-4	Klädsel .....	Cover .....		SPEC UTF 5591	250
6	1	-	-	-	693252-9	Klädsel .....	Cover .....		(691072)	260
	-	1	-	-	692173-8	Klädsel .....	Cover .....			270
7	1	-	-	-	691054-1	Klädsel .....	Cover .....			280
	-	1	-	-	692174-6	Klädsel .....	Cover .....			290
8	1	-	-	-	691055-8	Klädsel .....	Cover .....			300
	-	1	-	-	692177-9	Klädsel .....	Cover .....			310
9	4	4	-	-	94942-0	Fäste .....	Anchorage .....			320
10	1	-	-	-	691417-0	Dörrpanel, övre, V .....	Door panel, upper, L .....	3		330
	-	1	-	-	692178-7	Dörrpanel, övre, V .....	Door panel, upper, L .....			340
	1	-	-	-	691418-8	Dörrpanel, övre, H .....	Door panel, upper, R .....			350
	-	1	-	-	692179-5	Dörrpanel, övre, H .....	Door panel, upper, R .....			360
11	1	1	-	-	668378-3	Dyna, V .....	Cushion, L .....			370
	1	1	-	-	668379-1	Dyna, H .....	Cushion, R .....			380
12	1	-	-	-	691062-4	Dörrpanel, nedre, V .....	Door panel, lower, L .....			390
	-	1	-	-		Dörrpanel, nedre, V .....	Door panel, lower, L .....		12) (692180)	400
	-	1	-	-	691063-2	Dörrpanel, nedre, H .....	Door panel, lower, R .....			410
	-	1	-	-	692181-1	Dörrpanel, nedre, H .....	Door panel, lower, R .....			420
13	30	30	-	-	95290-3	Fäste .....	Anchorage .....	2		430
14	4	4	-	-	955156-5	Skruv .....	Screw .....	0		440
15	4	4	-	-	959058-9	Bricka .....	Washer .....	0		450
16	2	2	-	-	668017-7	Fäste .....	Anchorage .....	3		460
17	1	-	-	-	665409-9	Armstöd, V .....	Armrest, L .....			470
	-	1	-	-	692197-7	Armstöd, V .....	Armrest, L .....			480
	1	-	-	-	665410-7	Armstöd, H .....	Armrest, R .....			490
	-	1	-	-	692198-5	Armstöd, H .....	Armrest, R .....			500
17a	2	2	-	-	668277-7	•Prydnadsbricka .....	•Trim washer .....			510
18	2	2	-	-		•Dräneringsrör .....	•Drain tube .....	8	(667827)	520
19	2	2	-	-	667828-8	•Spärrbricka .....	•Lock washer .....			530
20	2	2	-	-	667826-2	Slang .....	Hose .....			540
21	2	2	-	-	1211694-3	Skyddsspapp .....	Liner .....		(668986)	550
22	2	2	-	-	686940-8	Skyddsspapp .....	Liner .....		(668987)	560

004

010

020

030

040

050

060

070

080

090

100

110

120

130

140

150

160

170

180

190

200

210

220

230

240

250

260

270

280

290

300

310

320

330

340

350

360

370

380

390

400

410

420

430

440

450

460

470

480

490

500

510

520

530

540

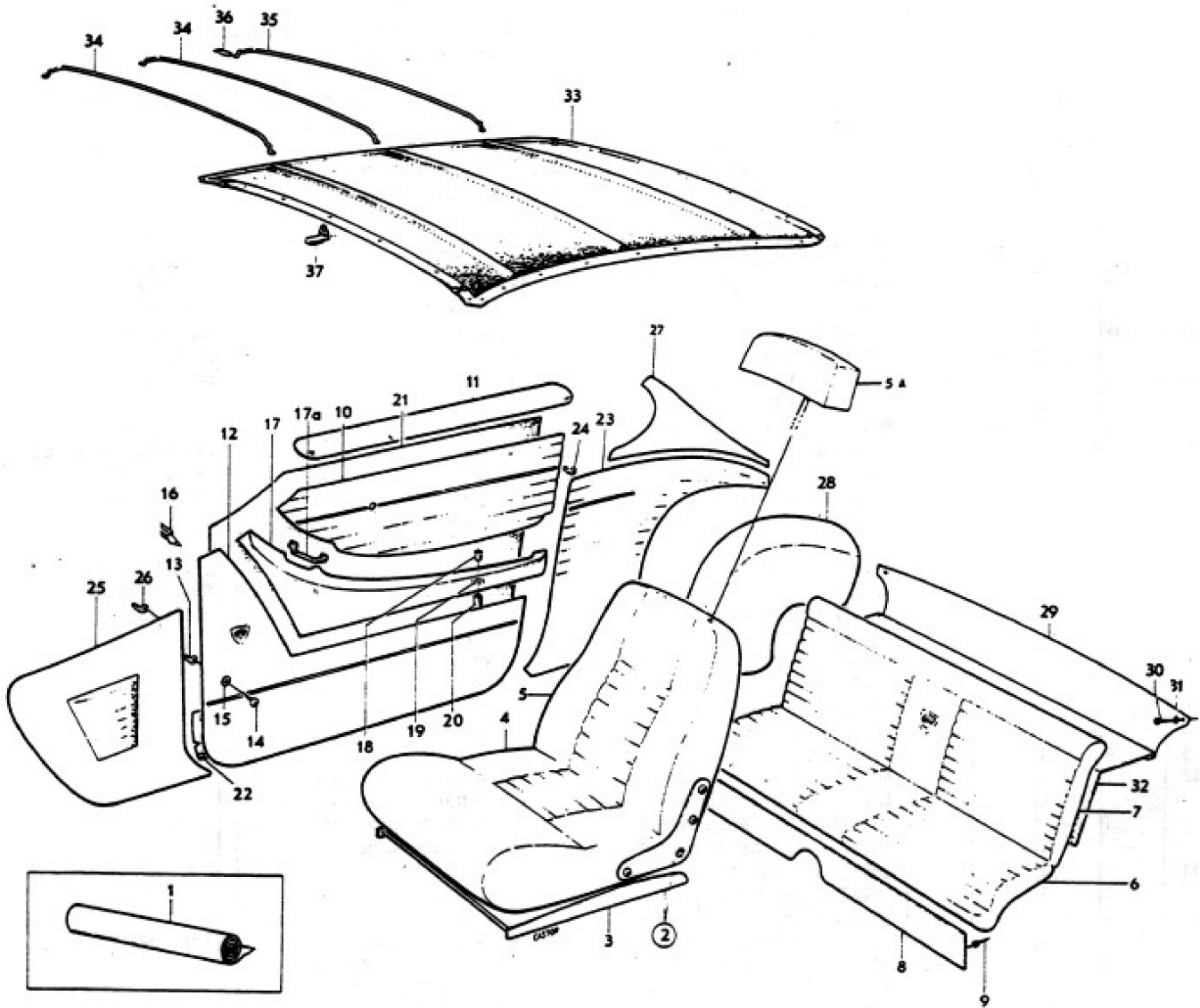
550

560

570

580

590



**VOLVO**  
 KA 7344

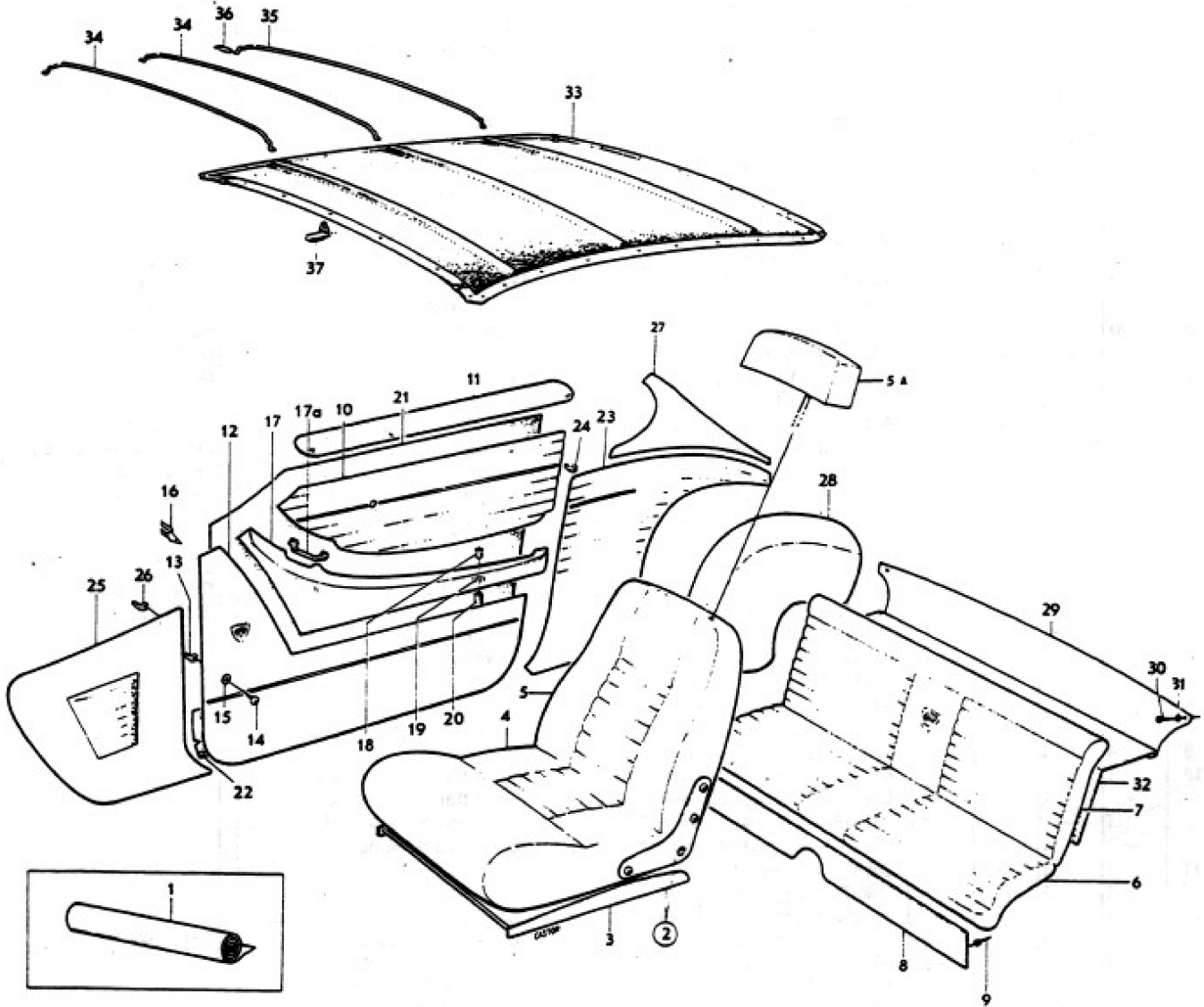


Sida Page	Grupp Group	Innerklädsel 182 komb 318, 320	Upholstery 182 komb 318, 320	Illustration Utgåva 7344 Issue
66	8			4

Pos. Fig.	Antal/Quantity				Detalj nr Part No	Benämning	Description	Sats Kit	Anmärkning Notes	
	318	320								
23	1	—	—	—	691056-6	Panel, V .....	Panel, L .....			010
	—	1	—	—	692182-9	Panel, V .....	Panel, L .....			011
	1	—	—	—	691057-4	Panel, H .....	Panel, R .....			020
	—	1	—	—		Panel, H .....	Panel, R .....	8	12) (692183)	030
24	16	16	—	—	95290-3	Fäste .....	Anchorage .....	2		040
25	1	—	—	—	691049-1	Torpedpanel, V .....	Cowl panel, L .....	3		050
	—	1	—	—	692186-0	Torpedpanel, V .....	Cowl panel, L .....	3		060
	1	—	—	—	691050-9	Torpedpanel, H .....	Cowl panel, R .....	3		070
	—	1	—	—	692187-8	Torpedpanel, H .....	Cowl panel, R .....	3		080
26	12	12	—	—	95290-3	Fäste .....	Anchorage .....	2		090
27	1	—	—	—	691029-3	Panel, V .....	Panel, L .....			1
	—	1	—	—	692184-5	Panel, V .....	Panel, L .....			110
	1	—	—	—	691030-1	Panel, H .....	Panel, R .....			120
	—	1	—	—	692185-2	Panel, H .....	Panel, R .....			130
28	1	—	—	—	693217-2	Klädsel, V .....	Upholstery, L .....		(691058)	140
	—	1	—	—	692188-6	Klädsel, V .....	Upholstery, L .....			150
	1	—	—	—	691059-0	Klädsel, H .....	Upholstery, R .....			1
	—	1	—	—	692189-4	Klädsel, H .....	Upholstery, R .....			170
29	1	—	—	—		Klädsel .....	Upholstery .....	12)	(691066)	180
	—	1	—	—	691658-9	Klädsel .....	Upholstery .....			190
30	2	2	—	—	955165-6	Skruv .....	Screw .....	0		200
31	2	2	—	—	959058-9	Bricka .....	Washer .....	0		210
32	—	—	—	—		Hylla .....	Shelf .....		SE SIDA 102	220
33	1	1	—	—	692407-0	Taktyg .....	Headlining .....	3		230
34	2	2	—	—	669903-7	Taksprygel .....	Roof bow .....			240
35	1	1	—	—	669904-5	Taksprygel .....	Roof bow .....			250
36	6	6	—	—	669908-6	Gummiskoning .....	Rubber pad .....	3		260
37	36	36	—	—	666171-4	Klammer .....	Clamp .....	3		270

11) Enhet kvadratmeter. Metervarans bredd = 130 cm. Unit: Square metres. Width of material = 130 cm. Unités, en mètres carrés. Au mètre de largeur 130 cm. Einheit, Quadratmeter. Breite der Meterware = 130 cm. Unidad, en metros cuadrados. Por metro, ancho 130 cm.

12) Ersättes av motsvarande klädselmaterial i metervara. Replaced by the corresponding material sold by length. Remplacement de garniture correspondante en mètre. Wird durch das jetzige Bezugsmaterial in Metervare ersetzt. Sustituye el tapizado correspondiente vendido por metro.

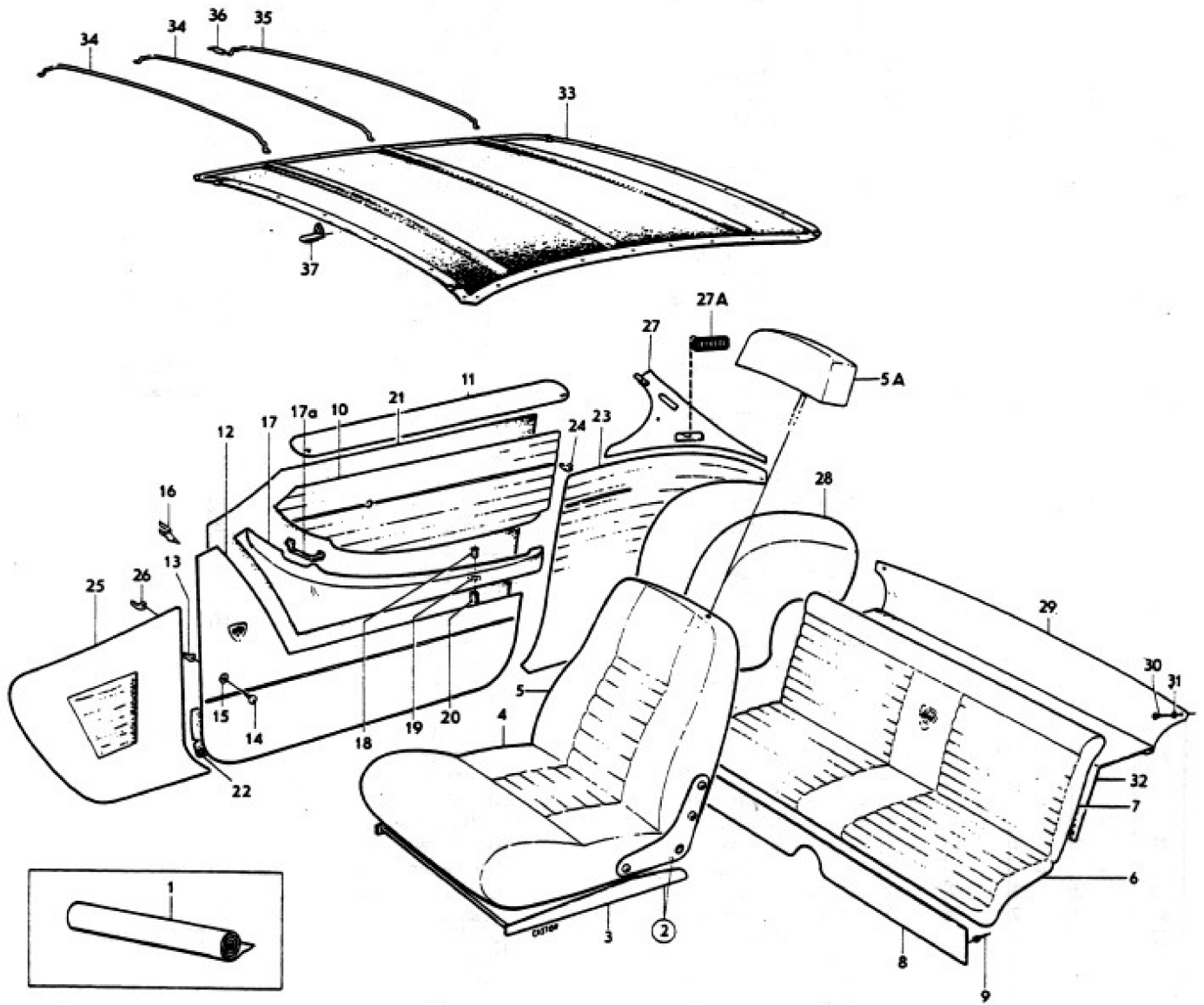


VOLVO  
KA 7344



Sida Page	Grupp Group	Innerklädsel 182 komb 327, 328, 329, 330	Upholstery 182 komb 327, 328, 329, 330	Illustration Utgåva 3 7758 Issue
68	8			

Pos. Fig.	Antal/Quantity				Detalj nr Part No	Benämning	Description	Sats Kit	Anmärkning Notes	004
	327	328	329	330						
1	ERF	-	-	-	99617-3	Vävplast, röd .....	Plastic-coated fabric, .....		11) METERVARA	010
	-	-	-	-		Läder, rött .....	Leather, red .....	8		020
	-	-	-	-		Produktskyften .....	Designation plate .....			030
						stämplad 327-625	stamped 327-625			040
		ERF	-	-	99617-3	Vävplast, röd .....	Plastic-coated fabric, .....		11) METERVARA	050
	-	-	-	-		Läder, rött .....	Leather, red .....	8		060
	-	-	-	-		Produktskyften .....	Designation plate .....			070
	-	-	-	-		stämplad 328-626	stamped 328-626			080
	-	-	ERF	-	99949-0	Vävplast, svart .....	Plastic-coated fabric, .....		11) METERVARA	090
	-	-	-	-		Läder, svart .....	Leather, black .....	8		100
	-	-	-	-		Produktskyften .....	Designation plate .....			110
	-	-	-	-		stämplad 329-627	stamped 329-627			120
	-	-	-	ERF	99949-0	Vävplast, svart .....	Plastic-coated fabric, .....		11) METERVARA	130
	-	-	-	-		Läder, svart .....	Leather, black .....	8		140
	-	-	-	-		Produktskyften .....	Designation plate .....			150
	-	-	-	-		stämplad 330-628	stamped 330-628			160
2	1	1	-	-	693224-8	Framstol, V .....	Front seat, L .....		5) ALT 1	170
	1	1	-	-	695577-7	Framstol, V .....	Front seat, L .....		ERS AV 695577-7	180
	-	-	1	1	693226-3	Framstol, V .....	Front seat, L .....		6) ALT 2	190
	-	-	1	1	695573-6	Framstol, V .....	Front seat, L .....		5) ALT 1	200
	1	1	-	-	693225-5	Framstol, H .....	Front seat, R .....		ERS AV 695573-6	210
	1	1	-	-	695578-5	Framstol, H .....	Front seat, R .....		6) ALT 2	220
	-	-	1	1	693227-1	Framstol, H .....	Front seat, R .....		5) ALT 1	230
	-	-	1	1	695574-4	Framstol, H .....	Front seat, R .....		ERS AV 695574-4	240
3	ERF	ERF	-	-	99617-3	• Klädsel .....	• Cover .....		6) ALT 2	250
	-	-	ERF	ERF	99949-0	• Klädsel .....	• Cover .....		5) ALT 1	260
4	2	2	-	-	691037-6	• Klädsel .....	• Cover .....		ERS AV 695578-5	270
	-	-	2	2	693240-4	• Klädsel .....	• Cover .....		6) ALT 2	280
5	2	2	-	-	693242-0	• Klädsel .....	• Cover .....		5) ALT 1	290
	-	-	2	2	693243-8	• Klädsel .....	• Cover .....		ERS AV 695578-5	300
	-	-	-	-		• Övriga ingående .....	• Other pertaining .....		6) ALT 2	310
	-	-	-	-		det. se sida 100, 102	parts, see page 100, 102		5) ALT 1	320
5a	2	2	-	-	695191-7	Klädsel .....	Cover .....		6) ALT 2	330
	-	-	2	2	695165-1	Klädsel .....	Cover .....		5) ALT 1	340
6	1	1	-	-	691071-5	Klädsel .....	Cover .....		ERS AV 695574-4	350
	-	-	1	1	693252-9	Klädsel .....	Cover .....		6) ALT 2	360
7	1	1	-	-	693263-6	Klädsel .....	Cover .....			370
	-	-	1	1	693264-4	Klädsel .....	Cover .....			380
8	1	1	-	-	693257-8	Klädsel .....	Cover .....			390
	-	-	1	1	693258-6	Klädsel .....	Cover .....			400
9	4	4	4	4	94942-0	Fäste .....	Anchorage .....	3		410
10	1	1	-	-	691415-4	Dörrpanel, övre, V .....	Door panel, upper, L .....			420
	-	-	1	1	691417-0	Dörrpanel, övre, V .....	Door panel, upper, L .....			430
	1	1	-	-	691416-2	Dörrpanel, övre, H .....	Door panel, upper, R .....			440
	-	-	1	1	691418-8	Dörrpanel, övre, H .....	Door panel, upper, R .....			450
11	1	1	1	1	668378-3	Dyna, V .....	Cushion, L .....			460
	1	1	1	1	668379-1	Dyna, H .....	Cushion, R .....			470



VOLVO  
KA 7758



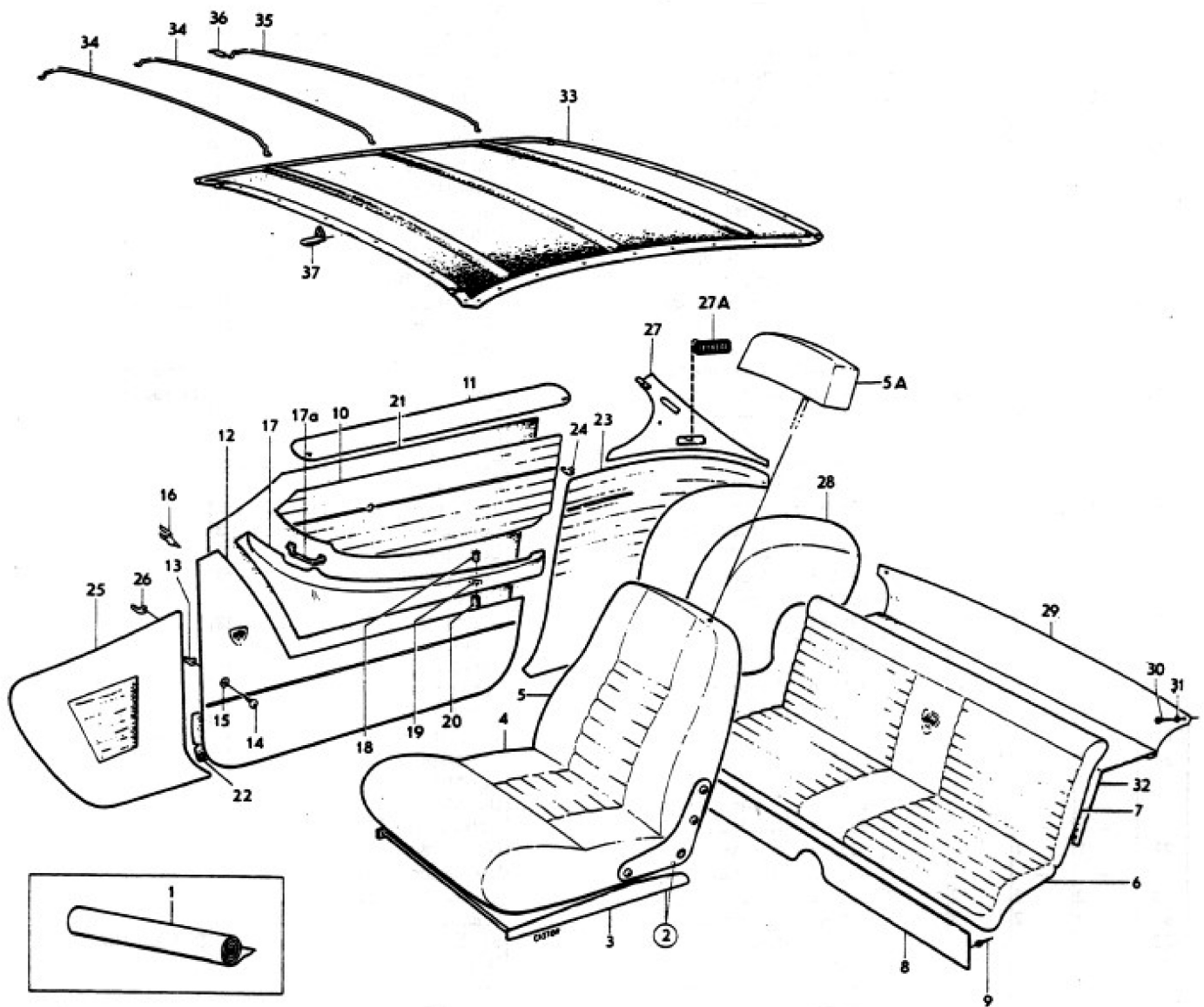
Sida Page	Grupp Group	Innerklädsel 182 komb 327, 328, 329, 330	Upholstery 182 komb 327, 328, 329, 330	Illustration Utgåva 7758 Issue
70	8			4

Pos. Fig.	Antal/Quantity				Detalj nr Part No	Benämning	Description	Sats Kit	Anmärkning Notes	004
	327	328	329	330						
12	1	1	-	-	691047-5	Dörrpanel, nedre, V .....	Door panel, lower, L .....			010
	-	-	1	1	691062-4	Dörrpanel, nedre, V .....	Door panel, lower, L .....			011
	1	1	-	-	691048-3	Dörrpanel, nedre, H .....	Door panel, lower, R .....			012
	-	-	1	1	691063-2	Dörrpanel, nedre, H .....	Door panel, lower, R .....			020
13	30	30	30	30	95290-3	Fäste .....	Anchorage .....	2		030
14	4	4	4	4	955156-5	Skruv .....	Screw .....	0		040
15	4	4	4	4	959056-3	Bricka .....	Washer .....	0		050
16	2	2	2	2	668017-7	Fäste .....	Anchorage .....	3		060
17	1	1	-	-	691084-8	Armstöd, V .....	Armrest, L .....			070
	-	-	1	1	665409-9	Armstöd, V .....	Armrest, L .....			080
	1	1	-	-	691085-5	Armstöd, H .....	Armrest, R .....			0
	-	-	1	1	665410-7	Armstöd, H .....	Armrest, R .....			100
17a	2	2	2	2	668277-7	•Prydnadsbricka .....	•Trim washer .....			110
18	2	2	2	2		•Dräneringsrör .....	•Drain tube .....	8	(667827)	120
19	2	2	2	2	667828-8	•Spärrbricka .....	•Lock washer .....			130
20	2	2	2	2	667826-2	Slang .....	Hose .....			140
21	2	2	2	2	1211694-3	Skyddsspapp .....	Liner .....		(668986)	1
22	2	2	2	2	686940-8	Skyddsspapp .....	Liner .....		(668987)	160
23	1	1	-	-	691041-8	Panel, V .....	Panel, L .....			170
	-	-	1	1	691056-6	Panel, V .....	Panel, L .....			180
	1	1	-	-	691042-6	Panel, H .....	Panel, R .....			190
	-	-	1	1	691057-4	Panel, H .....	Panel, R .....			200
24	16	16	16	16	95290-3	Fäste .....	Anchorage .....	2		210
25	1	1	-	-	693197-6	Torpedpanel, V .....	Cowl panel, L .....	3		220
	-	-	1	1	693199-2	Torpedpanel, V .....	Cowl panel, L .....	3		230
	1	1	-	-	693198-4	Torpedpanel, H .....	Cowl panel, R .....	3		240
	-	-	1	1	693200-8	Torpedpanel, H .....	Cowl panel, R .....	3		250
26	10	10	10	10	95290-3	Fäste .....	Anchorage .....	2		260
27	1	1	-	-	693209-9	Panel, V .....	Panel, L .....			270
	-	-	1	1	693211-5	Panel, V .....	Panel, L .....			280
	1	1	-	-	693210-7	Panel, H .....	Panel, R .....			290
	-	-	1	1	693212-3	Panel, H .....	Panel, R .....			300
27a	-	-	-	-		Galler .....	Ventilator grille .....		SE GRUPP 9	310
28	1	1	-	-	691043-4	Klädsel, V .....	Upholstery, L .....			320
	-	-	1	1	693217-2	Klädsel, V .....	Upholstery, L .....			330
	1	1	-	-	691044-2	Klädsel, H .....	Upholstery, R .....			340
	-	-	1	1	693218-0	Klädsel, H .....	Upholstery, R .....			350
29	1	1	-	-	693221-4	Klädsel .....	Upholstery .....			360
	-	-	1	1	693222-2	Klädsel .....	Upholstery .....			370
30	2	2	2	2	955165-6	Skruv .....	Screw .....	0		380
31	2	2	2	2	959058-9	Bricka .....	Washer .....	0		390
32	-	-	-	-		Hylla .....	Shelf .....		SE SIDA 102	400
33	1	1	1	1	692407-0	Taktyg .....	Headlining .....	3		410
34	2	2	2	2	669903-7	Taksprygel .....	Roof bow .....			420
35	1	1	1	1	669904-5	Taksprygel .....	Roof bow .....			430
36	6	6	6	6	669908-6	Gummiskoning .....	Rubber pad .....	3		440
37	32	32	32	32	666171-4	Klammer .....	Clamp .....	3		450

5) Framstol utan fällbeslag. Front seat without reclining seat fittings. Siège avant sans monture de rabattage. Vordersitz ohne Liegebesläge. Asiento delantero sin mecanismo de inclinación.

6) Framstol med fällbeslag. Front seat with reclining seat fittings. Siège avant avec monture de rabattage. Vordersitz mit Liegebeslägen. Asiento delantero con mecanismo de inclinación.

11) Enhet kvadratmeter. Metervarans bredd = 130 cm. Unit: Square metres. Width of material = 130 cm. Unités, en mètres carrés. Au mètre de largeur 130 cm. Finheit Quadratmeter. Breite der Meterware = 130 cm. Unidad, en metros



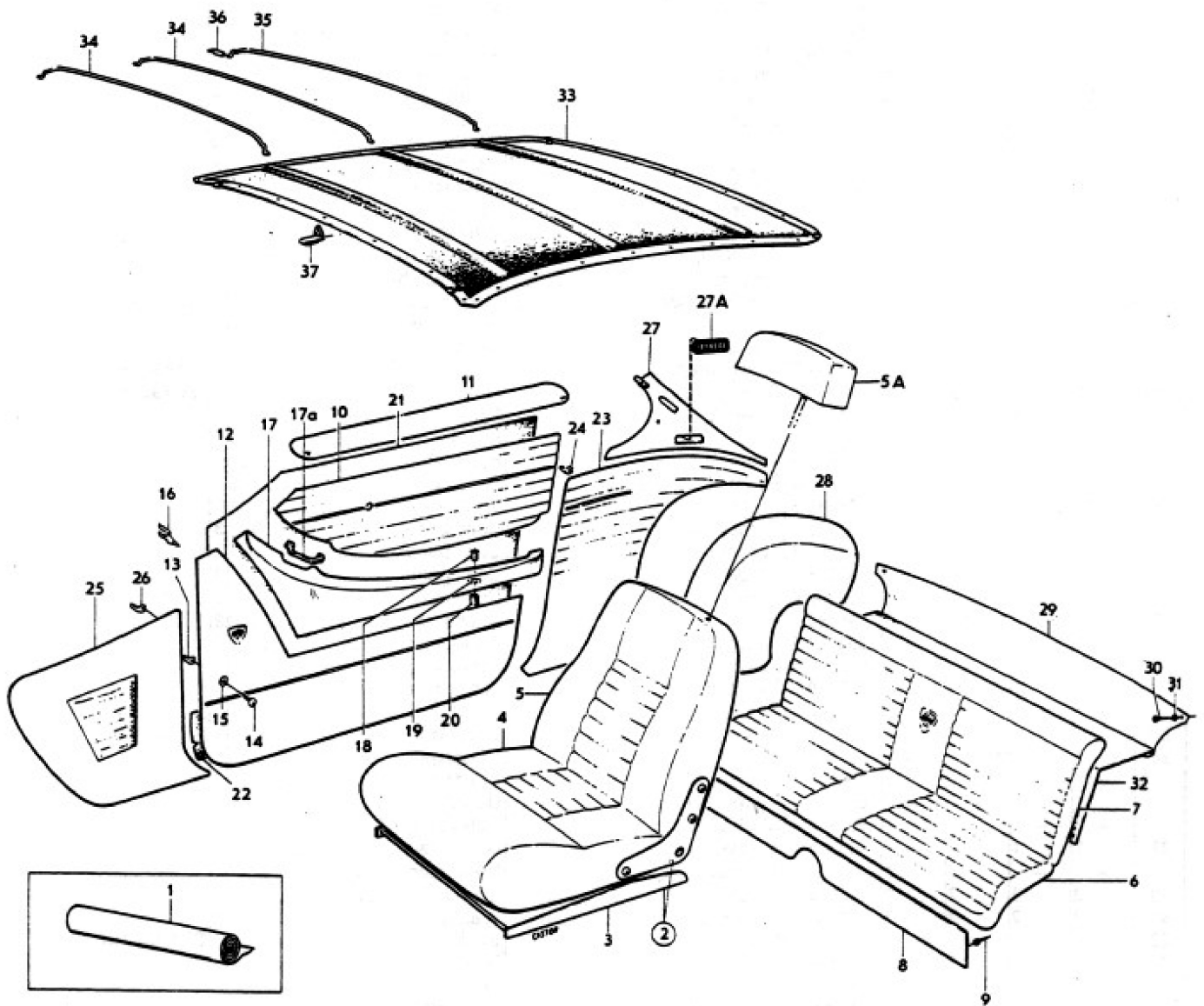
**VOLVO**  
KA 7758



Sida 72	Grupp 8	Innerklädsel 182 komb 331, 332, 335, 336	Upholstery 182 komb 331, 332, 335, 336	Illustration Utgåva 3 7758 Issue
Page	Group			

Pos. Fig.	Antal/Quantity				Detalj nr Part No	Benämning	Description	Sats Kit	Anmärkning Notes
	331	332	335	336					
1	ERF	-	-	-	99963-1	Vävplast, beige .....	Plastic-coated fabric, .....	8	11) METERVARA
	-	-	-	-		Läder, beige .....	Leather, hide .....		
	-	-	-	-		Produktskyften stämplad 331-629	Designation plate stamped 331-629		
	-	ERF	-	-	99963-1	Vävplast, beige .....	Plastic-coated fabric, .....	8	11) METERVARA
	-	-	-	-		Läder, beige .....	Leather, hide .....		
	-	-	-	-		Produktskyften stämplad 332-630	Designation plate stamped 332-630		
	-	-	ERF	-	99949-0	Vävplast, svart .....	Plastic-coated fabric, .....	8	11) METERVARA
	-	-	-	-		Läder, svart .....	Leather, black .....		
	-	-	-	-		Produktskyften stämplad 335-633	Designation plate stamped 335-633		
	-	-	-	ERF	99949-0	Vävplast, svart .....	Plastic-coated fabric, .....	8	11) METERVARA
	-	-	-	-		Läder, svart .....	Leather, black .....		
	-	-	-	-		Produktskyften stämplad 336-634	Designation plate stamped 336-634		
2	1	1	-	-	693228-9	Framstol, V .....	Front seat, L .....		5) ALT 1 ERS AV 695575-1
	1	1	-	-	695575-1	Framstol, V .....	Front seat, L .....		6) ALT 2
	-	-	1	1	693226-3	Framstol, V .....	Front seat, L .....		5) ALT 1 ERS AV 695573-6
	-	-	1	1	695573-6	Framstol, V .....	Front seat, L .....		6) ALT 2
	1	1	-	-	693229-7	Framstol, H .....	Front seat, R .....		5) ALT 1 ERS AV 695576-9
	1	1	-	-	695576-9	Framstol, H .....	Front seat, R .....		6) ALT 2
	-	-	1	1	693227-1	Framstol, H .....	Front seat, R .....		5) ALT 1 ERS AV 695574-4
	-	-	1	1	695574-4	Framstol, H .....	Front seat, R .....		6) ALT 2
3	ERF	ERF	-	-	99949-0	•Klädsel .....	•Cover .....	8	(99820) (99619)
4	2	2	-	-	693241-2	•Klädsel .....	•Cover .....		
5	2	2	-	-	693240-4	•Klädsel .....	•Cover .....		
	2	2	-	-	693244-6	•Klädsel .....	•Cover .....		
	-	-	2	2	693243-8	•Klädsel .....	•Cover .....		
	-	-	-	-		•Övriga ingående det. se sida 100, 102	•Other pertaining parts, see page 100, 102		
5a	2	2	-	-	695156-0	Klädsel .....	Cover .....		
	-	-	2	2	695165-1	Klädsel .....	Cover .....		
6	1	1	-	-	693253-7	Klädsel .....	Cover .....		
	-	-	1	1	693252-9	Klädsel .....	Cover .....		
7	1	1	-	-	693265-1	Klädsel .....	Cover .....		
	-	-	1	1	693864-1	Klädsel .....	Cover .....		
8	1	1	-	-	693259-4	Klädsel .....	Cover .....		
	-	-	1	1	693862-5	Klädsel .....	Cover .....		
9	4	4	-	-	94942-0	Fäste .....	Anchorage .....	3	
10	1	1	-	-	693180-2	Dörrpanel, övre, V .....	Door panel, upper, L .....		
	-	-	1	1	691417-0	Dörrpanel, övre, V .....	Door panel, upper, L .....		
	1	1	-	-	693181-0	Dörrpanel, övre, H .....	Door panel, upper, R .....		
	-	-	1	1	691418-8	Dörrpanel, övre, H .....	Door panel, upper, R .....		
11	1	1	-	-	668378-3	Dyna, V .....	Cushion, L .....		
	1	1	-	-	668379-1	Dyna, H .....	Cushion, R .....		
12	1	1	-	-		Dörrpanel, nedre, V .....	Door panel, lower, L .....		12) (693186)
	-	-	1	1	691062-4	Dörrpanel, nedre, V .....	Door panel, lower, L .....		
	1	1	-	-	693187-7	Dörrpanel, nedre, H .....	Door panel, lower, R .....		
	-	-	1	1	691063-2	Dörrpanel, nedre, H .....	Door panel, lower, R .....		

004  
005  
006  
010  
020  
030  
040  
050  
060  
070  
080  
090  
100  
1  
120  
130  
140  
150  
160  
1  
180  
190  
200  
210  
220  
230  
240  
250  
260  
270  
280  
290  
300  
310  
320  
330  
340  
341  
350  
360  
370  
380  
390  
400  
410  
420  
430  
440  
450  
460  
470  
480  
490  
500  
510  
520  
530  
540  
550  
560  
570  
580  
590  
600  
601  
602



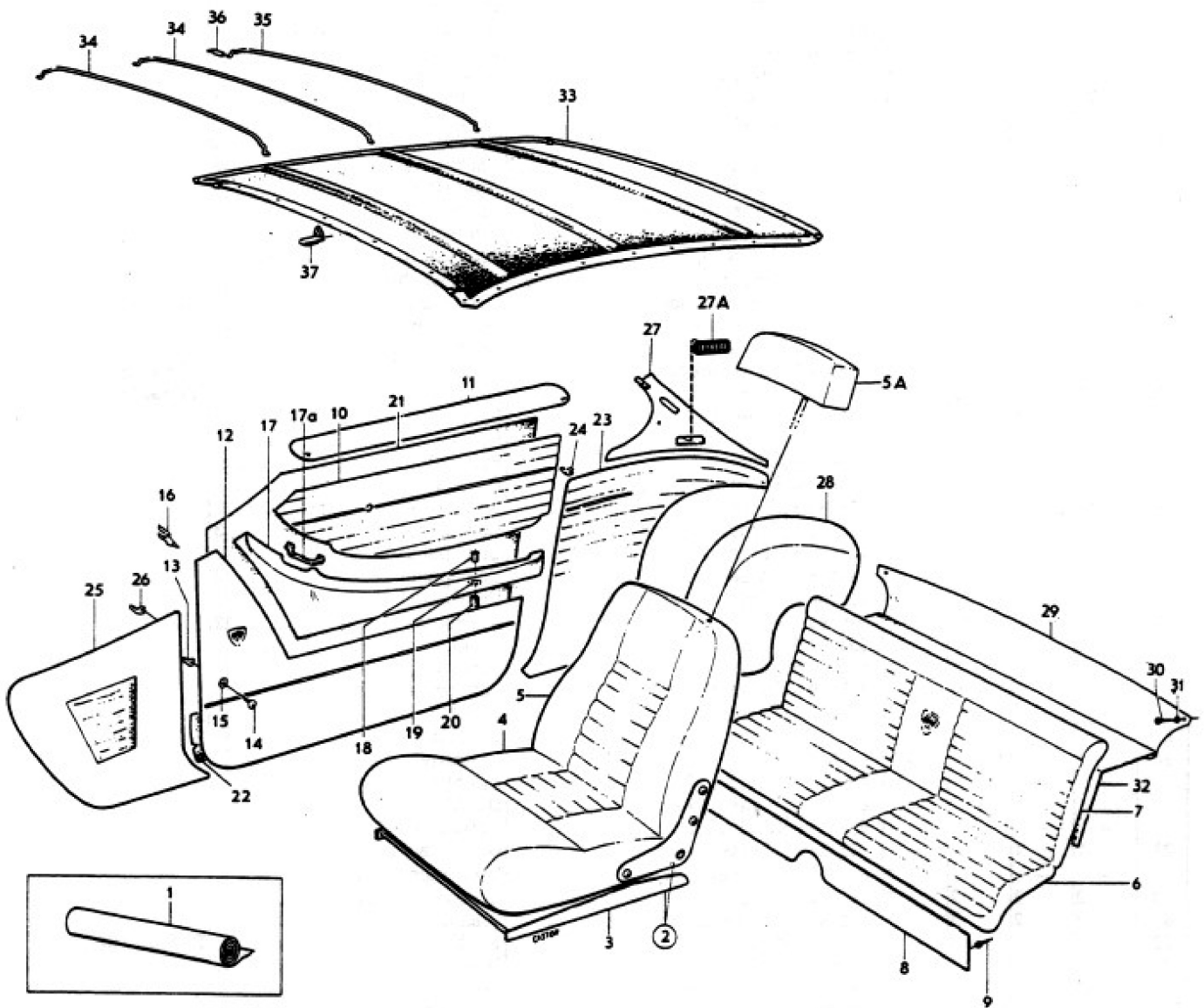
VOLVO  
KA7758



Sida 74	Grupp 8	Innerklädsel 182 komb 331, 332, 335, 336	Upholstery 182 komb 331, 332, 335, 336	Illustration Utgåva 4
Page	Group			7758 Issue

Pos. Fig.	Antal/Quantity				Detalj nr Part No	Benämning	Description	Sats Kit	Anmärkning Notes	004
	331	332	335	336						
13	30	30	30	30	95290-3	Fäste .....	Anchorage .....	2		030
14	4	4	4	4	955156-5	Skruv .....	Screw .....	0		040
15	4	4	4	4	959056-3	Bricka .....	Washer .....	0		050
16	2	2	2	2	668017-7	Fäste .....	Anchorage .....	3		060
17	1	1	1	1	693195-0	Armstöd, V .....	Armrest, L .....			070
	1	1	1	1	665409-9	Armstöd, V .....	Armrest, L .....			080
	1	1	1	1	693196-3	Armstöd, H .....	Armrest, R .....			090
	1	1	1	1	665410-7	Armstöd, H .....	Armrest, R .....			100
17a	2	2	2	2	668277-7	•Prydnadsbricka .....	•Trim washer .....			110
18	2	2	2	2		•Dräneringsrör .....	•Drain tube .....	8 (667827)		120
19	2	2	2	2	667828-3	•Spärrbricka .....	•Lock washer .....			130
20	2	2	2	2	667826-2	Slang .....	Hose .....			140
21	2	2	2	2	1211694-3	Skyddspapp .....	Liner .....	(668986)		150
22	2	2	2	2	666940-8	Skyddspapp .....	Liner .....	(668987)		160
23	1	1	1	1	693207-3	Panel, V .....	Panel, L .....			170
	1	1	1	1	691056-5	Panel, V .....	Panel, L .....			180
	1	1	1	1	693208-1	Panel, H .....	Panel, R .....			190
	1	1	1	1	691057-4	Panel, H .....	Panel, R .....			200
24	16	16	16	16	95290-3	Fäste .....	Anchorage .....	2		210
25	1	1	1	1	693201-6	Torpedpanel, V .....	Cowl panel, L .....	3		220
	1	1	1	1	693199-2	Torpedpanel, V .....	Cowl panel, L .....	3		230
	1	1	1	1	693202-4	Torpedpanel, H .....	Cowl panel, R .....	3		240
	1	1	1	1	693200-8	Torpedpanel, H .....	Cowl panel, R .....	3		250
26	12	12	12	12	95290-3	Fäste .....	Anchorage .....	2		260
27	1	1	1	1	693213-1	Panel, V .....	Panel, L .....			270
	1	1	1	1	693211-5	Panel, V .....	Panel, L .....			280
	1	1	1	1	693214-9	Panel, H .....	Panel, R .....			290
	1	1	1	1	693212-3	Panel, H .....	Panel, R .....			300
27a	1	1	1	1		Galler .....	Ventilator grille .....	SE GRUPP 9		310
28	1	1	1	1	693219-8	Klädsel, V .....	Upholstery, L .....			320
	1	1	1	1	693217-2	Klädsel, V .....	Upholstery, L .....			330
	1	1	1	1	693220-6	Klädsel, H .....	Upholstery, R .....			340
	1	1	1	1	693218-0	Klädsel, H .....	Upholstery, R .....			350
29	1	1	1	1	693223-0	Klädsel .....	Upholstery .....			360
30	2	2	2	2	955165-6	Skruv .....	Screw .....	0		370
31	2	2	2	2	959058-9	Bricka .....	Washer .....	0		380
32	1	1	1	1		Hylla .....	Shelf .....	SE SIDA 102		390
33	1	1	1	1	692407-0	Taktyg .....	Headlining .....	3		400
34	2	2	2	2	669903-7	Taksprygel .....	Roof bow .....			410
35	1	1	1	1	669904-5	Taksprygel .....	Roof bow .....			420
36	6	6	6	6	669908-6	Gummiskoning .....	Rubber pad .....	3		430
37	32	32	32	32	666171-4	Klammer .....	Clamp .....	3		440

- 5) Framstol utan fällbeslag. Front seat without reclining seat fittings. Siège avant sans monture de rabattage. Vordersitz ohne Liegebesläge. Asiento delantero sin mecanismo de inclinación.
- 6) Framstol med fällbeslag. Front seat with reclining seat fittings. Siège avant avec monture de rabattage. Vordersitze mit Liegebeslägen. Asiento delantero con mecanismo de inclinación.
- 11) Enhet kvadratmeter. Metervarans bredd = 130 cm. Unit: Square metres. Width of material = 130 cm. Unités, en mètres carrés. Au mètre de largeur 130 cm. Einheit, Quadratmeter. Breite der Meterware = 130 cm. Unidad, en metros cuadrados. Por metro, ancho 130 cm.
- 12) Ersättes av motsvarande klädselmaterial i metervara. Replaced by the corresponding material sold by length. Remplacement de garniture correspondante en mètre. Wird durch das jetzige Bezugsmaterial in Metervare ersetzt.

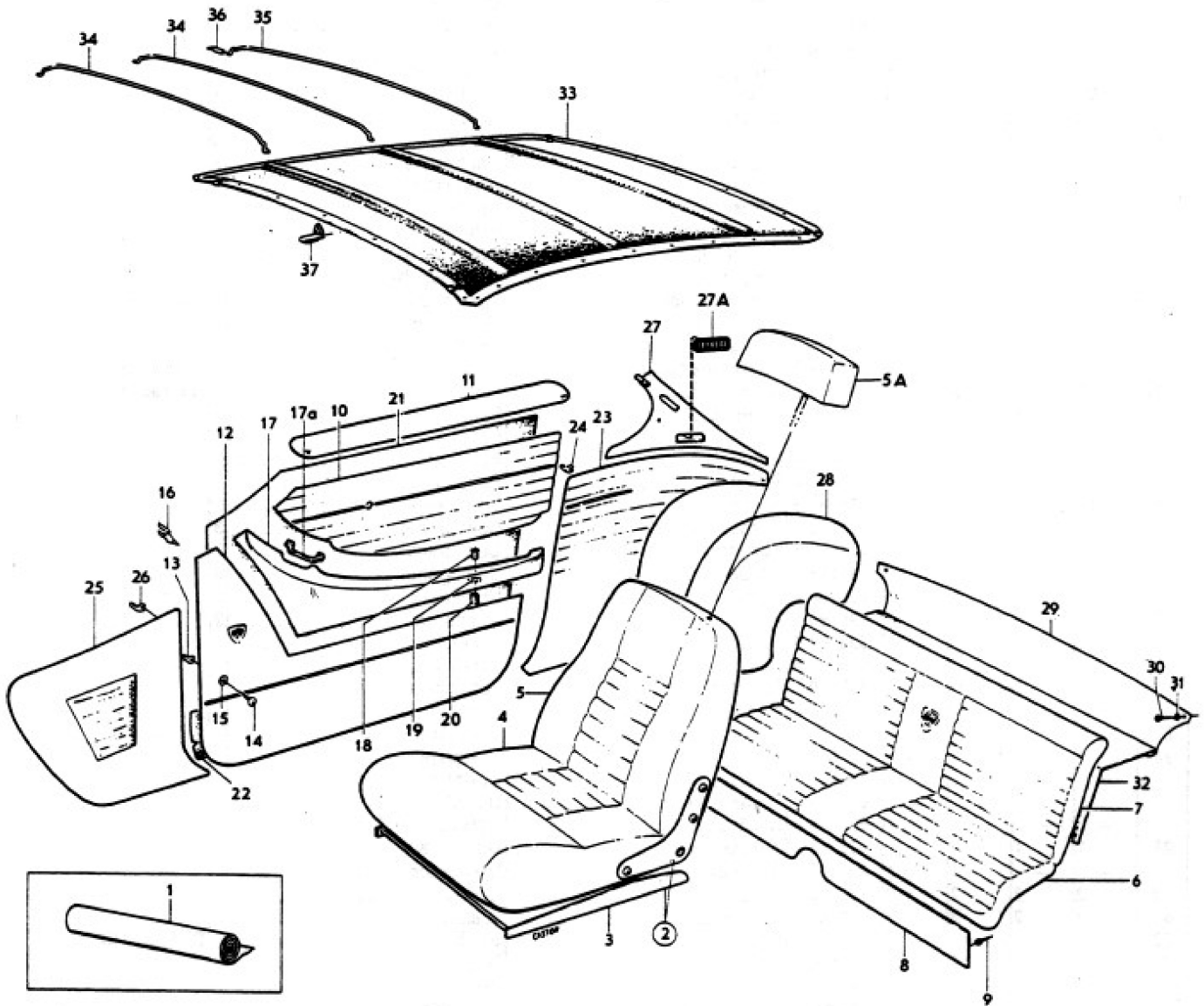


**VOLVO**  
KA 7758



Sida <b>76</b>	Grupp <b>8</b>	Innerklädsel 182 komb 337, 338, 339, 340	Upholstery 182 komb 337, 338, 339, 340	Illustration Utgåva <b>2</b>
Page	Group			7758 Issue

Pos. Fig.	Antal/Quantity				Detalj nr Part No	Benämning	Description	Sats Kit	Anmärkning Notes	004	
	337	338	339	340							
1	ERF	-	-	-	99949-0	Vävplast, svart .....	Plastic-coated fabric, .....	8	11) METERVARA	010	
	-	-	-	-		Läder, svart .....	Black .....			020	
	ERF	-	-	-		Läder, svart .....	Leather, black .....			030	
	-	-	-	-	99949-0	Produktskyften .....	Designation plate .....	8	11) METERVARA	040	
	-	-	-	-		stämplad 337-762	stamped 337-762			050	
	-	ERF	-	-		Vävplast, svart .....	Plastic-coated fabric, .....			060	
	-	-	-	-	99949-0	Läder, svart .....	Black .....	8	11) METERVARA	070	
	-	ERF	-	-		Läder, svart .....	Leather, black .....			080	
	-	-	-	-		Produktskyften .....	Designation plate .....			090	
	-	-	-	-	699075-8	stämplad 338-763	stamped 338-763	8	11) METERVARA	100	
	-	-	ERF	-		Vävplast, röd .....	Plastic-coated fabric, .....			110	
	-	-	-	-		Läder, röd .....	Red .....			120	
-	-	-	-	699075-8	Läder, röd .....	Leather, red .....	8	11) METERVARA	130		
-	-	ERF	-		Produktskyften .....	Designation plate .....			140		
-	-	-	-		stämplad 339-764	stamped 339-764			150		
-	-	-	-	699075-8	Vävplast, röd .....	Plastic-coated fabric, .....	8	11) METERVARA	160		
-	-	-	ERF		Läder, röd .....	Red .....			170		
-	-	-	-		Läder, röd .....	Leather, red .....			180		
-	-	-	-	699075-8	Produktskyften .....	Designation plate .....	8	11) METERVARA	190		
-	-	-	-		stämplad 340-765	stamped 340-765			200		
-	-	-	-		Framstol, V .....	Front seat, L .....			210		
2	1	1	-	-	695573-6	Framstol, V .....	Front seat, L .....	8	5) ALT 1 ERS AV 695573-6	250	
	-	-	1	1		Framstol, V .....	Front seat, L .....			260	
	-	-	-	1	1	694148-8	Framstol, V .....	Front seat, L .....	8	6) ALT 2 5) ALT 1 ERS AV 694148-8	270
	-	-	1	1	Framstol, H .....		Front seat, R .....	280			
	-	1	1	-	-	695574-4	Framstol, V .....	Front seat, L .....	8	5) ALT 1 ERS AV 695574-4	290
	-	-	-	1	1		Framstol, H .....	Front seat, R .....			300
	-	1	1	-	-	694149-6	Framstol, H .....	Front seat, R .....	8	6) ALT 2 5) ALT 1 ERS AV 694149-6	310
	-	-	-	1	1		Framstol, H .....	Front seat, R .....			320
	-	-	-	-	1	695165-1	Framstol, H .....	Front seat, R .....	8	6) ALT 2	330
	-	-	-	-	1		•Klädsel .....	•Cover .....			340
	3	ERF	ERF	-	-	693240-4	•Klädsel .....	•Cover .....	8	(694255)	350
	-	-	-	ERF	ERF		•Klädsel .....	•Cover .....			360
4	-	2	2	-	694111-6	•Klädsel .....	•Cover .....	8		370	
-	-	-	2	2		•Klädsel .....	•Cover .....			380	
5	-	2	2	-	693243-8	•Klädsel .....	•Cover .....	8		390	
-	-	-	2	2		•Klädsel .....	•Cover .....			400	
-	-	-	-	-	694131-4	•Klädsel .....	•Cover .....	8		410	
-	-	-	-	-		•Övriga ingående .....	•Other pertaining .....			420	
5a	-	-	-	-	695165-1	det. se sida 100, 102	parts, see page 100, 102	8		430	
-	2	2	-	-		Klädsel .....	Cover .....			440	
-	-	-	2	2	694890-5	Klädsel .....	Cover .....	8		450	
-	2	2	-	-		Klädsel .....	Cover .....			460	
6	-	-	2	2	693252-9	Klädsel .....	Cover .....	8		470	
-	-	-	2	2		Klädsel .....	Cover .....			480	
7	2	2	-	-	694146-2	Klädsel .....	Cover .....	8		490	
-	-	-	2	2		Klädsel .....	Cover .....			500	
8	-	-	2	2	694173-6	Klädsel .....	Cover .....	8		510	
-	2	2	-	-		Klädsel .....	Cover .....			520	
8	-	2	2	-	694171-0	Klädsel .....	Cover .....	8		530	
-	2	2	-	-		Klädsel .....	Cover .....			540	
9	-	2	2	-	694160-3	Klädsel .....	Cover .....	8		550	
-	2	2	-	-		Klädsel .....	Cover .....			560	
9	-	4	4	4	94942-0	Klädsel .....	Cover .....	8		570	
-	4	4	4	4		Fäste .....	Anchorage .....			580	
10	1	1	-	-	691417-0	Dörrpanel, övre, V .....	Door panel, upper, L .....	3		590	
-	-	-	1	1		Dörrpanel, övre, V .....	Door panel, upper, L .....			600	
-	1	1	-	-	694202-3	Dörrpanel, övre, H .....	Door panel, upper, R .....	3		610	
-	-	-	1	1		Dörrpanel, övre, H .....	Door panel, upper, R .....			620	
-	-	-	1	1	694118-8	Dörrpanel, övre, H .....	Door panel, upper, R .....	3		630	
-	-	-	1	1		Dörrpanel, övre, H .....	Door panel, upper, R .....			640	
11	1	1	1	1	694203-1	Dörrpanel, övre, H .....	Door panel, upper, R .....	3		650	
-	1	1	1	1		Dyna, V .....	Cushion, L .....			660	
-	1	1	1	1	668378-3	Dyna, H .....	Cushion, R .....	3		670	
-	1	1	1	1		Dyna, H .....	Cushion, R .....			680	



VOLVO  
KA 7758



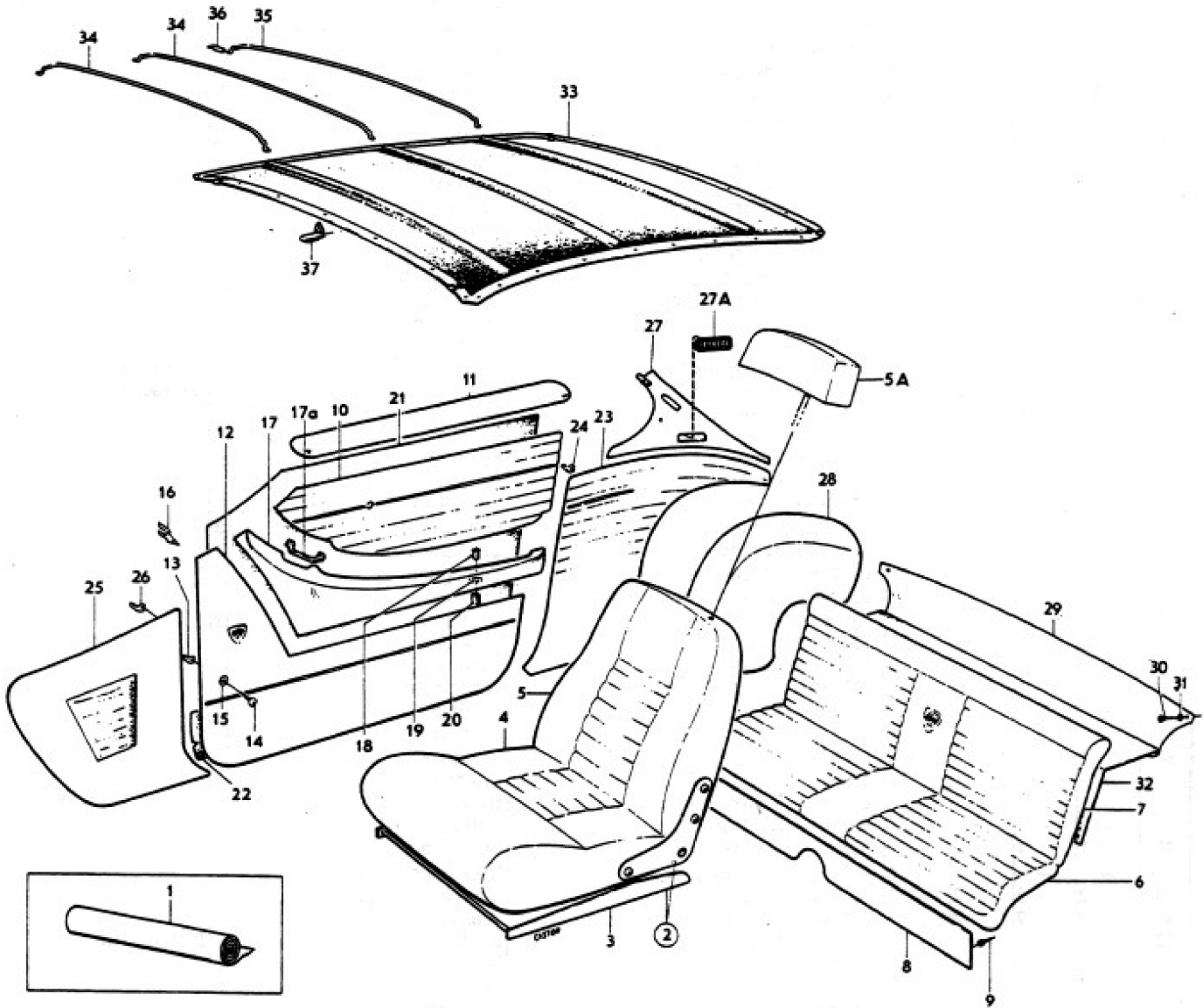
Sida	Grupp	Innerklädsel 182	Upholstery 182	Illustration Utgåva
78	8	komb 337, 338, 339, 340	komb 337, 338, 339, 340	4
Page	Group			7758 Issue

Pos. Fig.	Antal/Quantity				Detalj nr Part No	Benämning	Description	Sats Kit	Anmärkning Notes	004
	337	338	339	340						
12	1	1	-	-	691062-4	Dörrpanel, nedre, V .....	Door panel, lower, L .....			010
	-	-	1	1	694212-2	Dörrpanel, nedre, V .....	Door panel, lower, L .....			011
	1	1	-	-	691063-2	Dörrpanel, nedre, H .....	Door panel, lower, R .....			020
	-	-	1	1	694213-0	Dörrpanel, nedre, H .....	Door panel, lower, R .....			030
13	30	30	30	30	95290-3	Fäste .....	Anchorage .....	2		040
14	4	4	4	4	955156-5	Skruv .....	Screw .....	0		050
15	4	4	4	4	959056-3	Bricka .....	Washer .....	0		060
16	2	2	2	2	669017-7	Fäste .....	Anchorage .....	3		070
17	1	1	-	-	665409-9	Armstöd, V .....	Armrest, L .....			080
	-	-	1	1	694227-0	Armstöd, V .....	Armrest, L .....			090
	1	1	-	-	665410-7	Armstöd, H .....	Armrest, R .....			100
	-	-	1	1	694228-8	Armstöd, H .....	Armrest, R .....			110
17a	2	2	2	2	668277-7	•Prydnadsbricka .....	•Trim washer .....			120
18	2	2	2	2		•Dräneringsrör .....	•Drain tube .....	8	(667827)	130
19	2	2	2	2	667828-8	•Spärrbricka .....	•Lock washer .....			140
20	2	2	2	2	667826-2	Slang .....	Hose .....			150
21	2	2	2	2	1211694-3	Skyddspapp .....	Liner .....		(668986)	160
22	2	2	2	2	688940-8	Skyddspapp .....	Liner .....		(668987)	170
23	1	1	-	-	691056-6	Panel, V .....	Panel, L .....			180
	-	-	1	1	694237-9	Panel, V .....	Panel, L .....			190
	1	1	-	-	691057-4	Panel, H .....	Panel, R .....			200
	-	-	1	1	694238-7	Panel, H .....	Panel, R .....			210
24	16	16	16	16	95290-3	Fäste .....	Anchorage .....	2		220
25	1	1	-	-	693199-2	Torpedpanel, V .....	Cowl panel, L .....	3		230
	-	-	1	1	694182-7	Torpedpanel, V .....	Cowl panel, L .....	3		240
	1	1	-	-	693200-8	Torpedpanel, H .....	Cowl panel, R .....	3		250
	-	-	1	1	694183-5	Torpedpanel, H .....	Cowl panel, R .....	3		260
26	12	12	12	12	95290-3	Fäste .....	Anchorage .....	2		270
27	1	1	-	-	693211-5	Panel, V .....	Panel, L .....			280
	-	-	1	1	694121-5	Panel, V .....	Panel, L .....			290
	1	1	-	-	693212-3	Panel, H .....	Panel, R .....			300
	-	-	1	1	694122-3	Panel, H .....	Panel, R .....			310
27a	-	-	-	-		Galler .....	Ventilator grille .....		SE GRUPP 9	320
28	1	1	-	-	683217-2	Klädsel, V .....	Cover, L .....			330
	-	-	1	1	694247-8	Klädsel, V .....	Cover, L .....			340
	1	1	-	-	683218-0	Klädsel, H .....	Cover, R .....			350
	-	-	1	1	694248-6	Klädsel, H .....	Cover, R .....			360
29	1	1	1	1	684142-1	Klädsel .....	Upholstery .....			370
30	2	2	2	2	955165-6	Skruv .....	Screw .....	0		380
31	2	2	2	2	959058-9	Bricka .....	Washer .....	0		390
32	-	-	-	-		Hylla .....	Shelf .....		SE SIDA 102	400
33	1	1	1	1	682407-0	Taktyg .....	Headlining .....	3		410
34	2	2	2	2	669903-7	Taksprygel .....	Roof bow .....			420
35	1	1	1	1	669904-5	Taksprygel .....	Roof bow .....			430
36	6	6	6	6	669908-6	Gummiskoning .....	Rubber pad .....	3		440
37	32	32	32	32	666171-4	Klammer .....	Clamp .....	3		450

5) Framstol utan fällbeslag. Front seat without reclining seat fittings. Siège avant sans monture de rabattage. Vordersitz ohne Liegebeschlage. Asiento delantero sin mecanismo de inclinación.

6) Framstol med fällbeslag. Front seat with reclining seat fittings. Siège avant avec monture de rabattage. Vordersitz mit Liegebeschlagen. Asiento delantero con mecanismo de inclinación.

11) Enhet kvadratmeter. Metervarans bredd = 130 cm. Unit: Square metres. Width of material = 130 cm. Unités, en mètres carrés. Au mètre de largeur 130 cm. Einheit Quadratmeter. Breite der Meterware = 130 cm. Unidad en metros

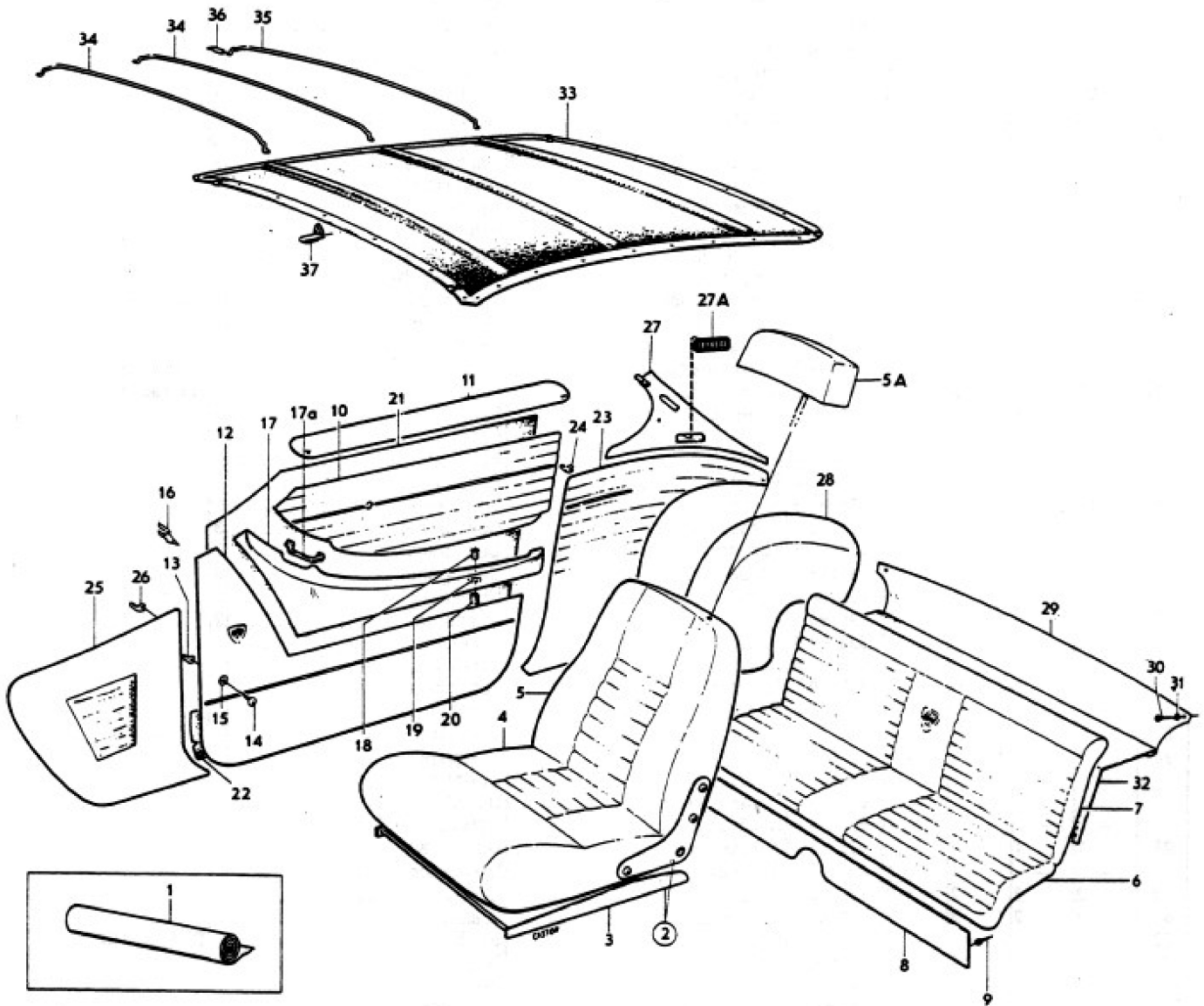


**VOLVO**  
KA 7756



Sida Page	Grupp Group	Innerklädsel 182 komb 341,342,343,344	Upholstery 182 komb 341,342,343,344	Illustration Utgåva 2
80	8			7758 Issue

Pos. Fig.	Antal/Quantity				Detalj nr Part No	Benämning	Description	Sats Kit	Anmärkning Notes	004
	341	342	343	344						
1	ERF	-	-	-	699076-6	Vävplast, guld metallic .....	Plastic-coated fabric, .....		11) METERVARA	010
	-	-	-	-			Gold metallic .....			020
	ERF	-	-	-		Läder, guld metallic .....	Leather, gold metallic .....	8		030
	-	-	-	-		Produktskyften .....	Designation plate .....			040
						stämplad 341-766	stamped 341-766			050
	-	ERF	-	-	699076-6	Vävplast, guld metallic .....	Plastic-coated fabric, .....		11) METERVARA	060
	-	-	-	-			Gold metallic .....			070
	-	ERF	-	-		Läder, guld metallic .....	Leather, gold metallic .....	8		080
	-	-	-	-		Produktskyften .....	Designation plate .....			090
	-	-	-	-		stämplad 342-767	stamped 342-767			100
	-	-	ERF	-	99949-0	Vävplast, svart .....	Plastic-coated fabric, .....		11) METERVARA	110
	-	-	-	-			Black .....			120
	-	-	ERF	-		Läder, svart .....	Leather, black .....	8		130
	-	-	-	-		Produktskyften .....	Designation plate .....			140
	-	-	-	-		stämplad 343-768	stamped 343-768			150
	-	-	-	ERF	99949-0	Vävplast, svart .....	Plastic-coated fabric, .....		11) METERVARA	160
	-	-	-	-			Black .....			170
	-	-	-	ERF		Läder, svart .....	Leather, black .....	8		180
	-	-	-	-		Produktskyften .....	Designation plate .....			190
	-	-	-	-		stämplad 344-769	stamped 344-769			200
2	1	1	-	-		Framstol, V .....	Front seat, L .....		5) ALT 1	210
	-	-	-	-					ERS AV 694153-8	220
	1	1	-	-	694153-8	Framstol, V .....	Front seat, L .....		6) ALT 2	230
	-	-	1	1		Framstol, V .....	Front seat, L .....		5) ALT 1	240
	-	-	1	1	695573-6	Framstol, V .....	Front seat, L .....		ERS AV 695573-6	250
	1	1	-	-		Framstol, H .....	Front seat, R .....		6) ALT 2	260
	-	-	1	1	694154-6	Framstol, H .....	Front seat, R .....		5) ALT 1	270
	-	-	1	1		Framstol, H .....	Front seat, R .....		ERS AV 694154-6	280
	-	-	1	1	695574-4	Framstol, H .....	Front seat, R .....		6) ALT 2	290
	ERF	ERF	-	-		•Klädsel .....	•Cover .....	8	5) ALT 1	300
	-	-	ERF	ERF		•Klädsel .....	•Cover .....	8	ERS AV 694154-6	310
4	2	2	-	-	694112-4	•Klädsel .....	•Cover .....		ERS AV 695574-4	320
	-	-	2	2	693240-4	•Klädsel .....	•Cover .....		6) ALT 2	330
5	2	2	-	-	694132-2	•Klädsel .....	•Cover .....		5) ALT 1	340
	-	-	2	2	693243-8	•Klädsel .....	•Cover .....		ERS AV 695574-4	350
	-	-	-	-		•Övriga ingående .....	•Other pertaining .....		6) ALT 2	360
	-	-	-	-		det. se sida 100, 102	parts, see page 100, 102			370
5a	2	2	-	-	694892-1	Klädsel .....	Cover .....		(694256)	380
	-	-	2	2	695165-1	Klädsel .....	Cover .....			390
6	2	2	-	-	694147-0	Klädsel .....	Cover .....			400
	-	-	2	2	693252-9	Klädsel .....	Cover .....			410
7	2	2	-	-	694172-8	Klädsel .....	Cover .....			420
	-	-	2	2	694174-4	Klädsel .....	Cover .....			430
8	2	2	-	-	694162-9	Klädsel .....	Cover .....			440
	-	-	2	2	694163-7	Klädsel .....	Cover .....			450
9	4	4	4	4	94942-0	Fäste .....	Anchorage .....			460
10	1	1	-	-	694204-9	Dörrpanel, övre, V .....	Door panel, upper, L .....			470
	-	-	1	1	691417-0	Dörrpanel, övre, V .....	Door panel, upper, L .....			480
	1	1	-	-	694205-6	Dörrpanel, övre, H .....	Door panel, upper, R .....			490
	-	-	1	1	691418-8	Dörrpanel, övre, H .....	Door panel, upper, R .....			500
11	1	1	1	1	668378-3	Dyna, V .....	Cushion, L .....			510
	1	1	1	1	668379-1	Dyna, H .....	Cushion, L .....			520



**VOLVO**  
KA 7758

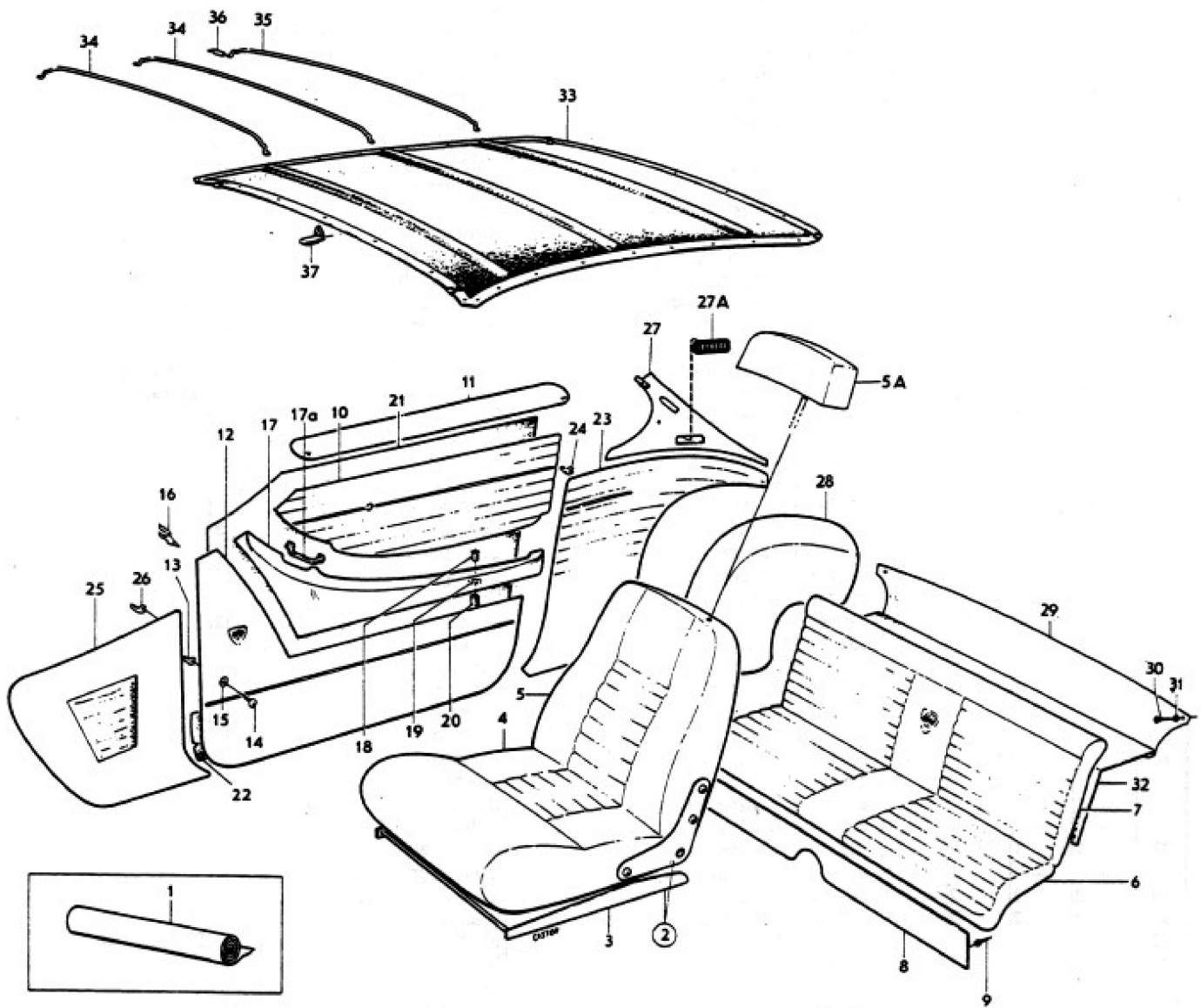


Sida	Grupp	Innerklädsel 182				Upholstery 182		Illustration	Utgåva	
82	8	komb 341,342,343,344				komb 341,342,343,344			4	
Page	Group							7758 Issue		
Pos. Fig.	Antal/Quantity				Detalj nr Part No	Benämning	Description	Sats Kit	Anmärkning Notes	
	341	342	343	344						
12	1	1	-	-	694214-8	Dörrpanel, nedre, V .....	Door panel, lower, L .....			010
	-	-	1	1	691062-4	Dörrpanel, nedre, V .....	Door panel, lower, L .....			011
	1	1	-	-	694215-5	Dörrpanel, nedre, H .....	Door panel, lower, R .....			020
	-	-	1	1	691063-2	Dörrpanel, nedre, H .....	Door panel, lower, R .....			030
13	30	30	30	30	95290-3	Fäste .....	Anchorage .....	2		040
14	4	4	4	4	955156-5	Skruv .....	Screw .....	0		050
15	4	4	4	4	959056-3	Bricka .....	Washer .....	0		060
16	2	2	2	2	668017-7	Fäste .....	Anchorage .....	3		070
17	1	1	-	-	694229-6	Armstöd, V .....	Armrest, L .....			080
	-	-	1	1	665409-9	Armstöd, V .....	Armrest, L .....			090
	1	1	-	-	694230-4	Armstöd, H .....	Armrest, R .....			100
	-	-	1	1	665410-7	Armstöd, H .....	Armrest, R .....			110
17a	2	2	2	2	668277-7	•Prydnadsbricka .....	•Trim washer .....			120
18	2	2	2	2		•Dräneringsrör .....	•Drain tube .....	8	(667827)	130
19	2	2	2	2	667828-8	•Spärrbricka .....	•Lock washer .....			140
20	2	2	2	2	667826-2	Slang .....	Hose .....			150
21	2	2	2	2	1211694-3	Skyddspapp .....	Liner .....		(668986)	160
22	2	2	2	2	666940-8	Skyddspapp .....	Liner .....		(668987)	170
23	1	1	-	-	694239-5	Panel, V .....	Panel, L .....			180
	-	-	1	1	691056-6	Panel, V .....	Panel, L .....			190
	1	1	-	-	694240-3	Panel, H .....	Panel, R .....			200
	-	-	1	1	691057-4	Panel, H .....	Panel, R .....			210
24	16	16	16	16	95290-3	Fäste .....	Anchorage .....	2		220
25	1	1	-	-	694184-3	Torpedpanel, V .....	Cowl panel, L .....	3		230
	-	-	1	1	693199-2	Torpedpanel, V .....	Cowl panel, L .....	3		240
	1	1	-	-	694185-0	Torpedpanel, H .....	Cowl panel, R .....	3		250
	-	-	1	1	693200-8	Torpedpanel, H .....	Cowl panel, R .....	3		260
26	12	12	12	12	95290-3	Fäste .....	Anchorage .....	2		270
27	1	1	-	-	694123-1	Panel, V .....	Panel, L .....			280
	-	-	1	1	693211-5	Panel, V .....	Panel, L .....			290
	1	1	-	-	694124-9	Panel, H .....	Panel, R .....			300
	-	-	1	1	693212-3	Panel, H .....	Panel, R .....			310
27a	-	-	-	-		Galler .....	Ventilator grille .....		SE GRUPP 9	320
28	1	1	-	-	694249-4	Klädsel, V .....	Cover, L .....			330
	-	-	1	1	693217-2	Klädsel, V .....	Cover, L .....			340
	1	1	-	-	694250-2	Klädsel, H .....	Cover, R .....			350
	-	-	1	1	693218-0	Klädsel, H .....	Cover, R .....			360
29	1	1	1	1	694143-9	Klädsel .....	Upholstery .....			370
30	2	2	2	2	955165-6	Skruv .....	Screw .....	0		380
31	2	2	2	2	959058-9	Bricka .....	Washer .....	0		390
32	-	-	-	-		Hylla .....	Shelf .....		SE SIDA 102	400
33	1	1	1	1	692407-0	Taktyg .....	Headlining .....	3		410
34	2	2	2	2	669903-7	Taksprygel .....	Roof bow .....			420
35	1	1	1	1	669904-5	Taksprygel .....	Roof bow .....			430
36	6	6	6	6	669908-6	Gummiskoning .....	Rubber pad .....	3		440
37	32	32	32	32	666171-4	Klammer .....	Clamp .....	3		450

5) Framstol utan fällbeslag. Front seat without reclining seat fittings. Siège avant sans monture de rabattage. Vordersitz ohne Liegebesläge. Asiento delantero sin mecanismo de inclinación.

6) Framstol med fällbeslag. Front seat with reclining seat fittings. Siège avant avec monture de rabattage. Vordersitz mit Liegebeslägen. Asiento delantero con mecanismo de inclinación.

11) Enhet kvadratmeter. Metervarans bredd = 130 cm. Unit: Square metres. Width of material = 130 cm. Unités, en mètres carrés. Au mètre de largeur 130 cm. Einheit. Quadratmeter. Breite der Meterware = 130 cm. Unidad. en metros



VOLVO  
KA 7758



Sida	Grupp	Innerklädsel 182				Upholstery 182	Illustration Utgåva			
84	8	komb 345,346,347,348				komb 345,346,347,348	4			
Page	Group						10620 Issue			
Pos. Fig.	Antal/Quantity				Detalj nr Part No	Benämning	Description	Sats Kit	Anmärkning Notes	
	345	346	347	348						
1	ERF	—	—	—	99949-0	Vävplast, svart .....	Plastic-coated fabric, .....		11) METERVARA	010
	—	—	—	—		Black .....	Black .....			020
	ERF	—	—	—		Läder, svart .....	Leather, black .....	8		030
	—	—	—	—		Produktskyften .....	Designation plate .....			040
						stämplad 345-807	stamped 345-807			050
	—	ERF	—	—	99949-0	Vävplast, svart .....	Plastic-coated fabric, .....		11) METERVARA	055
	—	—	—	—		Black .....	Black .....			060
	—	ERF	—	—		Läder, svart .....	Leather, black .....	8		070
	—	—	—	—		Produktskyften .....	Designation plate .....			080
	—	—	—	—		stämplad 346-808	stamped 346-808			090
	—	—	ERF	—	99949-0	Vävplast, svart .....	Plastic-coated fabric, .....		11) METERVARA	100
	—	—	—	—		Black .....	Black .....			110
	—	—	ERF	—		Läder, svart .....	Leather, black .....	8		120
	—	—	—	—		Produktskyften .....	Designation plate .....			130
	—	—	—	—		stämplad 347-809	stamped 347-809			140
	—	—	—	ERF	99949-0	Vävplast, svart .....	Plastic-coated fabric, .....		11) METERVARA	150
	—	—	—	—		Black .....	Black .....			160
	—	—	—	ERF		Läder, svart .....	Leather, black .....	8		170
	—	—	—	—		Produktskyften .....	Designation plate .....			180
	—	—	—	—		stämplad 348-810	stamped 348-810			190
										200
										205
2	1	1	1	1	1221293-2	Framstol, V .....	Front seat, L .....			210
	1	1	1	1	1221294-0	Framstol, H .....	Front seat, R .....			211
3	2	2	2	2	695713-8	•Klädsel .....	•Cover .....			220
4	2	2	2	2	695714-6	•Klädsel .....	•Cover .....			230
	—	—	—	—		•Övriga ingående .....	•Other pertaining .....			240
						det se sida 104, 106	parts see page 104, 106			250
5	1	1	1	1	695717-9	Klädsel, V .....	Cover, L .....			260
6	1	1	1	1	695850-8	Klädsel, H .....	Cover, R .....			270
7	1	1	1	1	695721-1	Klädsel .....	Cover .....			280
8	1	1	1	1	695727-8	Dörrpanel, V .....	Door panel, L .....			290
	1	1	1	1	695728-6	Dörrpanel, H .....	Door panel, R .....			300
9	1	1	1	1	695725-2	Panel, V .....	Panel, L .....			310
	1	1	1	1	695726-0	Panel, H .....	Panel, R .....			320
10	1	1	1	1	688805-1	Dyna, V .....	Cushion, L .....			330
	1	1	1	1	688806-9	Dyna, H .....	Cushion, R .....			331
10a	10	10	10	10	955126-8	Skruv .....	Screw .....	0		332
10b	10	10	10	10	120085-6	Bricka .....	Washer .....			340
11	34	34	34	34	95290-3	Fäste .....	Anchorage .....	2		350
12	1	1	1	1	685562-1	Armstöd, V .....	Armrest, L .....			360
	1	1	1	1	685563-9	Armstöd, H .....	Armrest, R .....			370
13	6	6	6	6	950047-1	Skruv .....	Screw .....	0		380
14	6	6	6	6	61544-3	Fjädrande bricka .....	Resilient washer .....			390
15	6	6	6	6	687506-6	Propp .....	Plug .....			400
16	2	2	2	2	686538-0	Kåpa .....	Casing .....			410
17	2	2	2	2	942188-4	Clips .....	Clip .....			420
18	1	1	1	1	955154-0	Skruv, V .....	Screw, L .....	0		430
19	1	1	1	1	959057-1	Bricka, V .....	Washer, L .....	0		440
20	2	2	2	2	1211694-3	Skyddspapp .....	Liner .....			450
21	2	2	2	2	686940-8	Skyddspapp .....	Liner .....			460
22	1	1	1	1	685579-5	Panel, V .....	Panel, L .....			470
	1	1	1	1	685580-3	Panel, H .....	Panel, R .....			480
23	1	1	1	1	695991-0	Panel, V .....	Panel, L .....			490
	1	1	1	1	695992-8	Panel, H .....	Panel, R .....			500
24	1	1	1	1	695722-9	Panel, V .....	Panel, L .....			510
	1	1	1	1	695723-7	Panel, H .....	Panel, R .....			520
25	16	16	16	16	95290-3	Fäste .....	Anchorage .....	2		530
26	1	1	1	1	693217-2	Klädsel, V .....	Cover, L .....			540
	1	1	1	1	693218-0	Klädsel, H .....	Cover, R .....			550

004

010

020

030

040

050

055

060

070

080

090

100

110

120

130

140

150

160

170

180

190

200

205

210

211

220

230

240

250

260

270

280

290

300

310

320

330

331

332

340

350

360

370

380

390

400

410

420

430

440

450

460

470

480

490

500

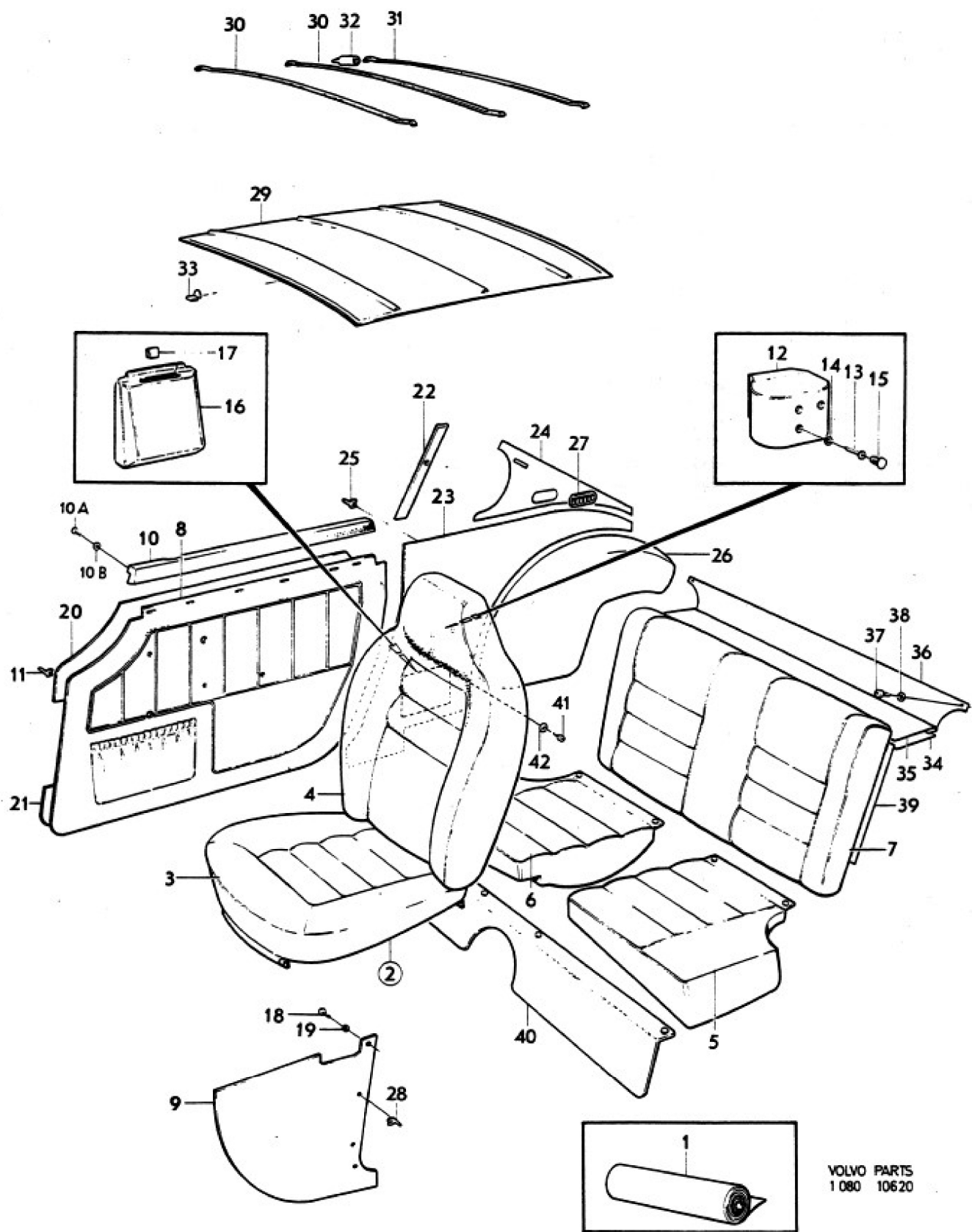
510

520

530

540

550

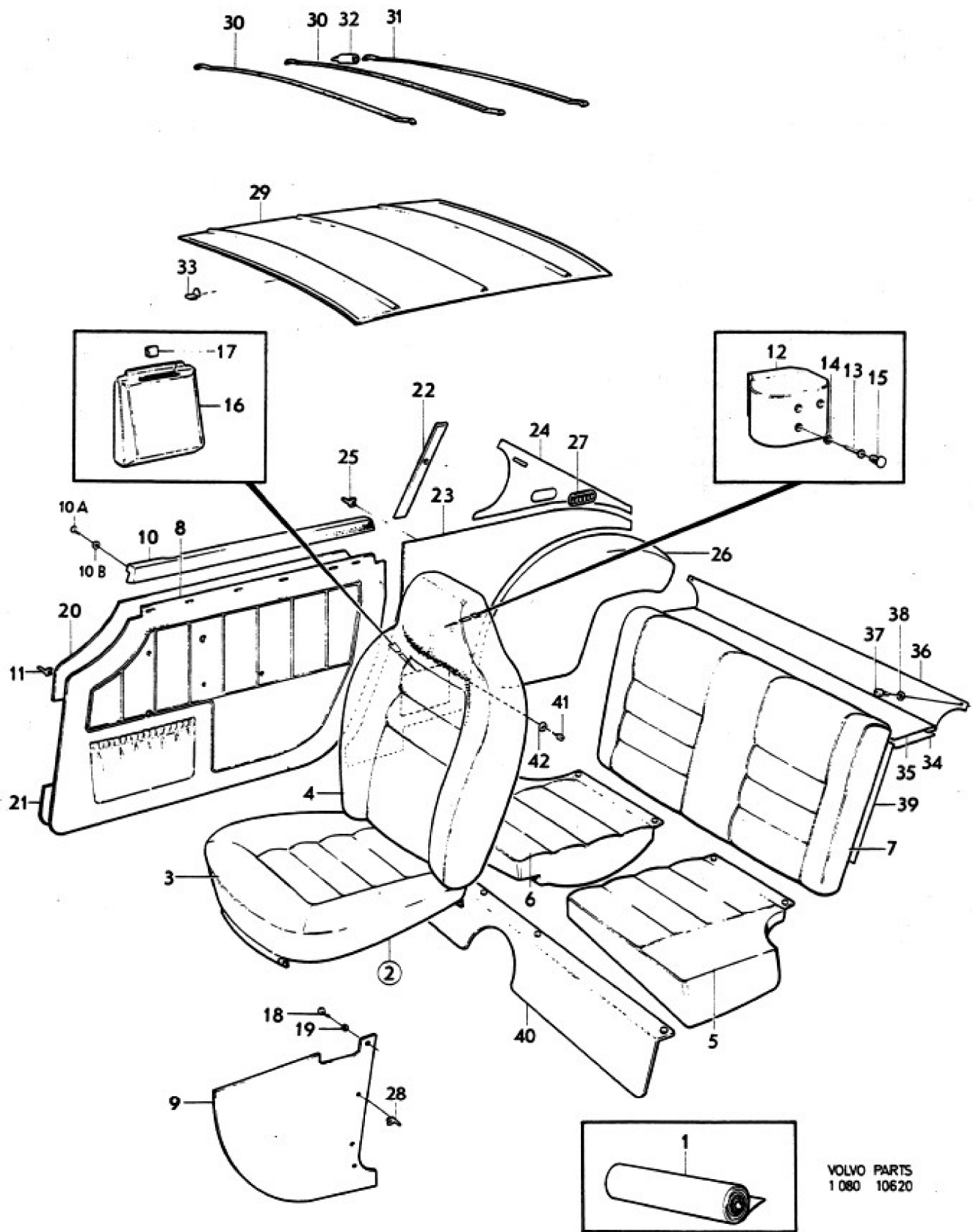


VOLVO PARTS  
1080 10620



Sida Page	86	Grupp Group	8	Innerklädsel 182 komb 345,346,347,348	Upholstery 182 komb 345,346,347,348	Illustration Utgåva 10620 Issue	4
--------------	----	----------------	---	--	--	------------------------------------	---

Pos. Fig.	Antal/Quantity				Detalj nr Part No	Benämning	Description	Sats Kit	Anmärkning Notes	
	345	346	347	348						
27	-	-	-	-		Galler .....	Ventilator grille .....		SE GRUPP 9	010
28	12	12	12	12	95290-3	Fäste .....	Anchorage .....			011
29	1	1	1	1	692407-0	Taktyg .....	Headlining .....			012
30	2	2	2	2	669903-7	Taksprygel .....	Roof bow .....			013
31	1	1	1	1	669904-5	Taksprygel .....	Roof bow .....			014
32	6	6	6	6	669908-6	Gummiskoning .....	Rubber pad .....			015
33	32	32	32	32	666171-4	Klammer .....	Clamp .....	3		020
34	-	-	-	-		Hylla .....	Shelf .....		SE SIDA 106	030
35	1	1	-	-	695979-5	Matta .....	Mat .....			040
	-	-	1	1	695980-3	Matta .....	Mat .....			050
36	1	1	-	-	697178-2	Matta .....	Mat .....			070
	-	-	1	1	697179-0	Matta .....	Mat .....			075
37	2	2	2	2	955165-6	Skruv .....	Screw .....	0		076
38	2	2	2	2	959058-9	Karosseribricka .....	Finish washer .....	0		080
39	1	1	-	-	694300-5	Matta .....	Mat .....			090
	-	-	1	1	694301-3	Matta .....	Mat .....			100
40	1	1	-	-	695719-5	Matta .....	Mat .....			110
	-	-	1	1	695870-6	Matta .....	Mat .....			120
41	2	2	2	2	955165-6	Skruv .....	Screw .....	0		130
42	2	2	2	2	959058-9	Karosseribricka .....	Finish washer .....	0		



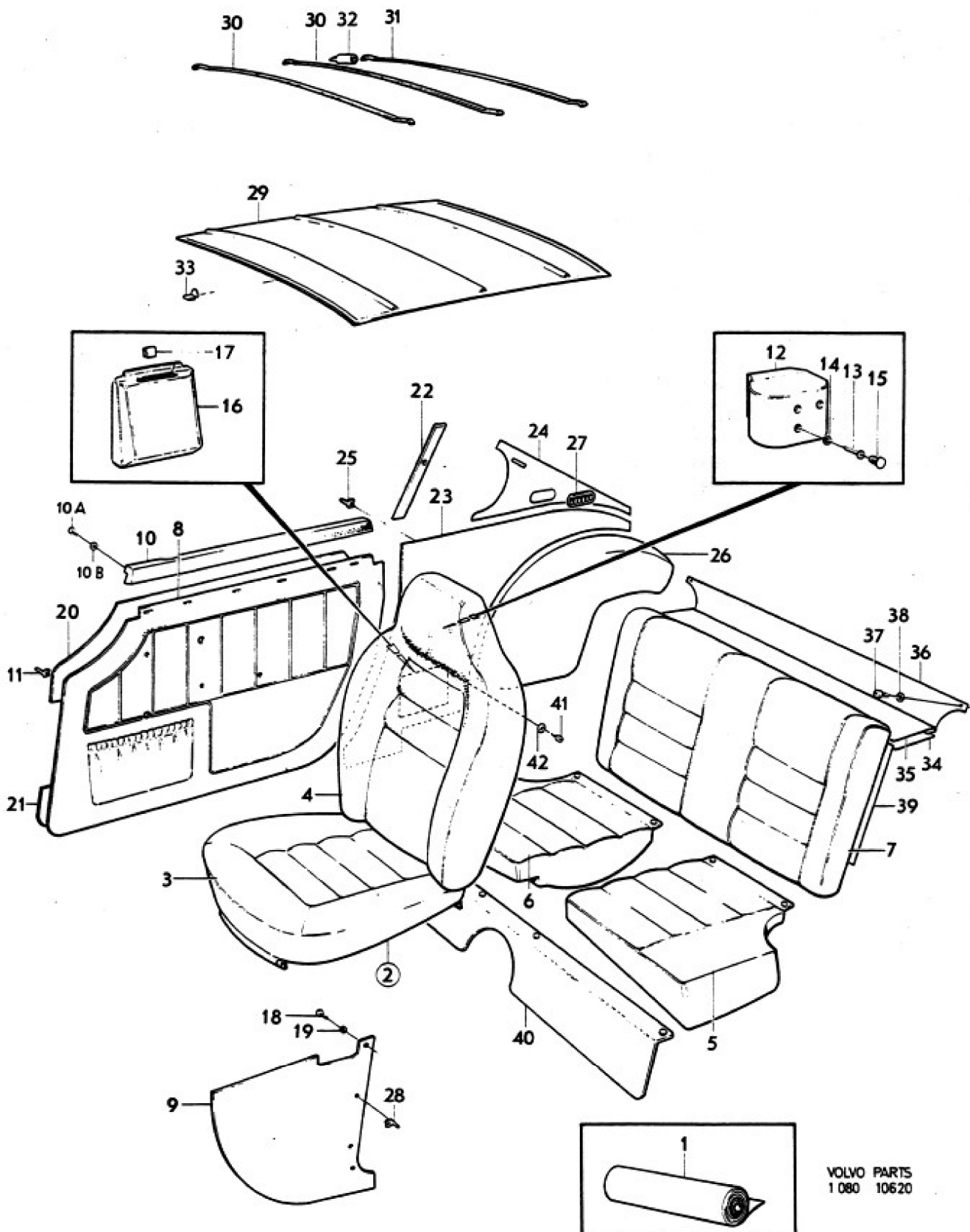
VOLVO PARTS  
1 080 10620



Sida	Grupp	Innerklädsel 182	Upholstery 182	Illustration Utgåva
88	8	komb 351,352,353,354	komb 351,352,353,354	4
Page	Group			10620 Issue

Pos. Fig.	Antal/Quantity				Detalj nr Part No	Benämning	Description	Sats Kit	Anmärkning Notes
	351	352	353	354					
1	ERF	-	-	-	699076-6	Vävplast, guld metallic .....	Plastic-coated fabric, .....	11) METERVARA	010
	-	-	-	-		Gold-metallic .....	Gold-metallic .....		020
	ERF	-	-	-		Läder, guld metallic .....	Leather, gold-metallic .....	8	030
	-	-	-	-		Produktskyften .....	Designation plate .....		040
	-	-	-	-		stämplad 351-811	stamped 351-811		050
	-	ERF	-	-	699076-6	Vävplast, guld metallic .....	Plastic-coated fabric, .....	11) METERVARA	055
	-	-	-	-		Gold-metallic .....	Gold-metallic .....		060
	-	ERF	-	-		Läder, guld metallic .....	Leather, gold-metallic .....	8	070
	-	-	-	-		Produktskyften .....	Designation plate .....		080
	-	-	-	-		stämplad 352-812	stamped 352-812		090
	-	-	ERF	-	99949-0	Vävplast, svart .....	Plastic-coated fabric, .....	11) METERVARA	100
	-	-	-	-		Black .....	Black .....		110
	-	-	ERF	-		Läder, svart .....	Leather, black .....	8	120
	-	-	-	-		Produktskyften .....	Designation plate .....		130
	-	-	-	-		stämplad 353-813	stamped 353-813		140
	-	-	-	ERF	99949-0	Vävplast, svart .....	Plastic-coated fabric, .....	11) METERVARA	150
	-	-	-	-		black .....	black .....		160
	-	-	-	ERF		Läder, svart .....	Leather, black .....	8	170
	-	-	-	-		Produktskyften .....	Designation plate .....		180
	-	-	-	-		stämplad 354-814	stamped 354-814		190
2	1	1	-	-	1221295-7	Framstol, V .....	Front seat, L .....		200
	-	-	1	1	1221293-2	Framstol, V .....	Front seat, L .....		205
	1	1	-	-	1221296-5	Framstol, H .....	Front seat, R .....		210
	-	-	1	1	1221294-0	Framstol, H .....	Front seat, R .....		211
3	2	2	-	-	695863-1	• Klädsel .....	• Cover .....		212
	-	-	2	2	695713-8	• Klädsel .....	• Cover .....		213
4	2	2	-	-	695865-6	• Klädsel .....	• Cover .....		220
	-	-	2	2	695714-6	• Klädsel .....	• Cover .....		230
	-	-	-	-		• Övriga ingående .....	• Other pertaining parts, .....		240
	-	-	-	-		det. se sida 104, 106	see page 104, 106		250
5	1	1	-	-	695867-2	Klädsel, V .....	Cover, L .....		260
	-	-	1	1	695717-9	Klädsel, V .....	Cover, L .....		270
6	1	1	-	-	695874-8	Klädsel, H .....	Cover, R .....		280
	-	-	1	1	695850-8	Klädsel, H .....	Cover, R .....		290
7	1	1	-	-	695869-8	Klädsel .....	Cover .....		300
	-	-	1	1	695721-1	Klädsel .....	Cover .....		310
8	1	1	-	-	695891-2	Dörrpanel, V .....	Door panel, L .....		320
	-	-	1	1	695727-8	Dörrpanel, V .....	Door panel, L .....		330
	1	1	-	-	695892-0	Dörrpanel, H .....	Door panel, R .....		340
	-	-	1	1	695728-6	Dörrpanel, H .....	Door panel, R .....		350
9	1	1	-	-	695880-5	Panel, V .....	Panel, L .....		360
	-	-	1	1	695725-2	Panel, V .....	Panel, L .....		370
	1	1	-	-	695882-1	Panel, H .....	Panel, R .....		380
	-	-	1	1	695726-0	Panel, H .....	Panel, R .....		390
10	1	1	1	1	688805-1	Dyna, V .....	Cushion, L .....		400
	1	1	1	1	688806-9	Dyna, H .....	Cushion, R .....		410
10a	10	10	10	10	955126-8	Skruv .....	Screw .....		420
10b	10	10	10	10	120085-6	Bricka .....	Washer .....		430
11	34	34	34	34	95290-3	Fäste .....	Anchorage .....	2	440
12	1	1	1	1	685562-1	Armstöd, V .....	Armrest, L .....		450
	1	1	1	1	685563-9	Armstöd, H .....	Armrest, R .....		460
13	6	6	6	6	950047-1	Skruv .....	Screw .....	0	470
14	6	6	6	6	61544-3	Fjädrande bricka .....	Resilient washer .....		480
15	6	6	6	6	687506-6	Propp .....	Plug .....		490
16	2	2	2	2	686538-0	Kåpa .....	Casing .....		500
17	2	2	2	2	942188-4	Clips .....	Clip .....	0	510
18	1	1	1	1	955154-0	Skruv, V .....	Screw, L .....	0	520
19	1	1	1	1	959057-1	Bricka, V .....	Washer, L .....	0	530
20	2	2	2	2	1211694-3	Skyddspapp .....	Liner .....		540
21	2	2	2	2	686940-8	Skyddspapp .....	Liner .....		550
22	1	1	1	1	685579-5	Panel, V .....	Panel, L .....		560
	1	1	1	1	685580-3	Panel, H .....	Panel, R .....		570

004  
010  
020  
030  
040  
050  
055  
060  
070  
080  
090  
100  
110  
120  
130  
140  
150  
160  
170  
180  
190  
200  
205  
210  
211  
212  
213  
220  
230  
240  
250  
260  
270  
280  
290  
300  
310  
320  
330  
340  
350  
360  
370  
380  
390  
400  
410  
420  
430  
440  
450  
460  
470  
480  
490  
500  
510  
520  
530  
540  
550  
560  
570



VOLVO PARTS  
1080 10620



Sida	Grupp	Innerklädsel 182				Upholstery 182				Illustration Utgåva
90	8	komb 351,352,353,354				komb 351,352,353,354				3
Page	Group									10620 Issue
Pos. Fig.	Antal/Quantity				Detalj nr Part No	Benämning	Description	Sats Kit	Anmärkning Notes	
	351	352	353	354						
23	1	1	—	—	695995-1	Panel, V .....	Panel, L .....			010
	—	—	1	1	695991-0	Panel, V .....	Panel, L .....			011
	1	1	—	—	695996-9	Panel, H .....	Panel, R .....			012
	—	—	1	1	695992-8	Panel, H .....	Panel, R .....			013
24	1	1	—	—	695876-3	Panel, V .....	Panel, L .....			020
	—	—	1	1	695722-9	Panel, V .....	Panel, L .....			030
	1	1	—	—	695878-9	Panel, H .....	Panel, R .....			040
	—	—	1	1	695723-7	Panel, H .....	Panel, R .....			050
25	16	16	16	16	95290-3	Fäste .....	Anchorage .....	2		060
26	1	1	—	—	695901-9	Klädsel, V .....	Cover, L .....			070
	—	—	1	1	693217-2	Klädsel, V .....	Cover, L .....			080
	1	1	—	—	695902-7	Klädsel, H .....	Cover, R .....			090
	—	—	1	1	693218-0	Klädsel, H .....	Cover, R .....			100
27	—	—	—	—		Galler .....	Ventilator grille .....		SE GRUPP 9	110
28	12	12	12	12	95290-3	Fäste .....	Anchorage .....	2		120
29	1	1	1	1	692407-0	Taktyg .....	Headlining .....	3		130
30	2	2	2	2	669903-7	Taksprygel .....	Roof bow .....			140
31	1	1	1	1	669904-5	Taksprygel .....	Roof bow .....			150
32	6	6	6	6	669908-6	Gummiskoning .....	Rubber pad .....	3		160
33	32	32	32	32	666171-4	Klammer .....	Clamp .....	3		170
34	—	—	—	—		Hylla .....	Shelf .....		SE SIDA 106	180
35	1	1	—	—	695980-3	Matta .....	Mat .....			190
	—	—	1	1	695982-9	Matta .....	Mat .....			200
36	1	1	—	—	697179-0	Matta .....	Mat .....			210
	—	—	1	1	695990-2	Matta .....	Mat .....			220
37	2	2	2	2	955165-6	Skruv .....	Screw .....	0		225
38	2	2	2	2	959058-9	Karosseribricka .....	Finish washer .....	0		226
39	1	1	—	—	694301-3	Matta .....	Mat .....			230
	—	—	1	1	694304-7	Matta .....	Mat .....			240
40	1	1	—	—	695870-6	Matta .....	Mat .....			250
	—	—	1	1	695872-2	Matta .....	Mat .....			260
41	2	2	2	2	955165-6	Skruv .....	Screw .....	0		270
42	2	2	2	2	959058-9	Karosseribricka .....	Finish washer .....	0		280

