

VOLVO PARTS  
1 080 11320



Sida Page	Grupp Group	Innerklädsel 183 komb 440,441,442,443	Upholstery 183 komb 440,441,442,443	Illustration Utgåva 11320 Issue
92	.8			4

Pos. Fig.	Antal/Quantity				Detalj nr Part No	Benämning	Description	Sats Kit	Anmärkning Notes	
	440	441	442	443						
1	ERF	-	-	-	99949-0	Vävplast, svart .....	Plastic-coated fabric, .....		11) METERVARA	117
	-	-	-	-		Black .....	Black .....			020
	ERF	-	-	-		Läder, svart .....	Leather, black .....	8		030
	-	-	-	-		Produktskylten .....	Designation plate .....			040
	-	-	-	-		stämplad 440-815 .....	stamped 440-815 .....			050
	-	ERF	-	-	99949-0	Vävplast, svart .....	Plastic-coated fabric, .....		11) METERVARA	060
	-	-	-	-		Black .....	Black .....			070
	-	ERF	-	-		Läder, svart .....	Leather, black .....	8		080
	-	-	-	-		Produktskylten .....	Designation plate .....			090
	-	-	-	-		stämplad 441-816 .....	stamped 441-816 .....			100
	-	-	ERF	-	99949-0	Vävplast, svart .....	Plastic-coated fabric, .....		11) METERVARA	110
	-	-	-	-		Black .....	Black .....			120
	-	-	ERF	-		Läder, svart .....	Leather, black .....	8		130
	-	-	-	-		Produktskylten .....	Designation plate .....			140
	-	-	-	-		stämplad 442-817 .....	stamped 442-817 .....			150
	-	-	-	ERF	99949-0	Vävplast, svart .....	Plastic-coated fabric, .....		11) METERVARA	160
	-	-	-	-		Black .....	Black .....			170
	-	-	-	ERF		Läder, svart .....	Leather, black .....	8		180
	-	-	-	-		Produktskylten .....	Designation plate .....			190
	-	-	-	-		stämplad 443-818 .....	stamped 443-818 .....			200
2	1	1	1	1	1221293-2	Framstol, V .....	Front seat .....			210
	1	1	1	1	1221294-0	Framstol, H .....	Front seat .....			211
3	2	2	2	2	695713-8	•Klädsel .....	•Cover .....			220
4	2	2	2	2	695714-6	•Klädsel .....	•Cover .....			230
	-	-	-	-		•Övriga ingående .....	•Other pertaining parts .....			240
						det. se sida 104, 106 .....	see page 104, 106 .....			250
5	1	1	1	1	695717-9	Klädsel, V .....	Cover, L .....			260
6	1	1	1	1	695850-8	Klädsel, H .....	Cover, R .....			270
7	1	1	1	1	995721-8	Klädsel .....	Cover .....			280
8	1	1	1	1	695727-8	Dörrpanel, V .....	Door panel, L .....			290
	1	1	1	1	695728-6	Dörrpanel, H .....	Door panel, R .....			300
9	1	1	1	1	695725-2	Panel, V .....	Panel, L .....			310
	1	1	1	1	695726-0	Panel, H .....	Panel, R .....			320
10	1	1	1	1	688805-1	Dyna, V .....	Cushion, L .....			330
	1	1	1	1	688806-9	Dyna, H .....	Cushion, R .....			340
10a	10	10	10	10	955126-8	Skruv .....	Screw .....			341
10b	10	10	10	10	120085-6	Bricka .....	Washer .....			342
11	34	34	34	34	95290-3	Fäste .....	Anchorage .....	2		350
12	1	1	1	1	685562-1	Armstöd, V .....	Armrest, L .....			360
	1	1	1	1	685563-9	Armstöd, H .....	Armrest, R .....			370
13	6	6	6	6	950047-1	Skruv .....	Screw .....	0		380
14	6	6	6	6	61544-3	Fjädrande bricka .....	Resilient washer .....			390
15	6	6	6	6	687506-6	Propp .....	Plug .....			400
16	2	2	2	2	686538-0	Kåpa .....	Casing .....			410
17	2	2	2	2	942188-4	Clips .....	Clip .....	2		420
18	1	1	1	1	955154-0	Skruv, V .....	Screw, L .....	0		430
19	1	1	1	1	959057-1	Bricka, V .....	Washer, L .....	0		440
20	2	2	2	2	1211694-3	Skyddspapp .....	Liner .....			450
21	2	2	2	2	686940-8	Skyddspapp .....	Liner .....			460
22	1	1	1	1	683788-4	Panel, V .....	Panel, L .....			470
	1	1	1	1	683789-2	Panel, H .....	Panel, R .....			480
23	1	1	1	1	683804-9	Panel, V .....	Panel, L .....			490
	1	1	1	1	683805-6	Panel, H .....	Panel, R .....			500
24	1	1	1	1	695739-3	Panel, V .....	Panel, L .....			510
	1	1	1	1	695740-1	Panel, H .....	Panel, R .....			520
25	1	1	-	-	695737-7	Panel, V .....	Panel, L .....			530
	-	-	1	-	695883-9	Panel, V .....	Panel, L .....			540
	1	1	-	-	695738-5	Panel, ri .....	Panel, R .....			550
	-	-	1	-	695884-7	Panel, H .....	Panel, R .....			560
26	24	24	24	24	95290-3	Fäste .....	Anchorage .....	2		570
27	4	4	4	4	955164-9	Skruv .....	Screw .....	0		580
28	4	4	4	4	959058-9	Karosseribricka .....	Finish washer .....	0		590

004

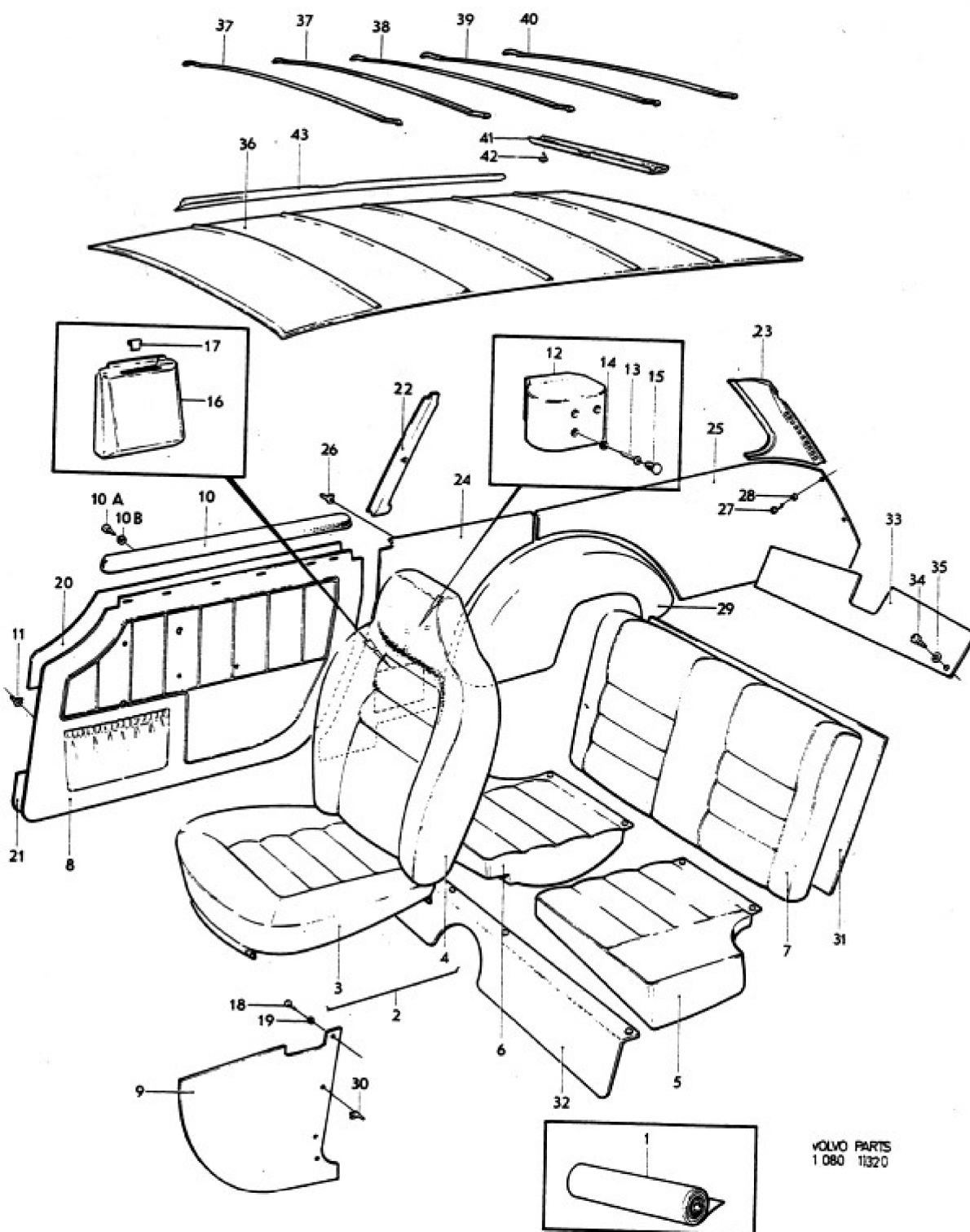
117  
020  
030  
040  
050  
060  
070  
080  
090  
100  
110  
120  
130  
140  
150  
160  
170  
180  
190  
200  
210  
211  
220  
230  
240  
250  
260  
270  
280  
290  
300  
310  
320  
330  
340  
341  
342  
350  
360  
370  
380  
390  
400  
410  
420  
430  
440  
450  
460  
470  
480  
490  
500  
510  
520  
530  
540  
550  
560  
570  
580  
590



Sida Page	Grupp Group	Innerklädsel 183 komb 440,441,442,443	Upholstery 183 komb 440,441,442,443	Illustration Utgåva 11320 Issue
94	8			4

Pos. Fig.	Antal/Quantity				Detalj nr Part No	Benämning	Description	Sats Kit	Anmärkning Notes	004
	440	441	442	443						
29	1	1	-	-	697300-2	Klädsel, V .....	Cover, L .....		CH-1580	010
	1	1	-	-	697544-5	Klädsel, V .....	Cover, L .....		CH 1581-	011
	-	-	1	1	697302-8	Klädsel, V .....	Cover, L .....		CH-1580	012
	-	-	1	1	697546-0	Klädsel, V .....	Cover, L .....		CH 1581-	013
	1	1	-	-	697301-0	Klädsel, H .....	Cover, R .....		CH-1580	020
	1	1	-	-	697545-2	Klädsel, H .....	Cover, R .....		CH 1581-	021
	-	-	1	1	697303-6	Klädsel, H .....	Cover, R .....		CH-1580	030
	-	-	1	1	697547-8	Klädsel, H .....	Cover, R .....		CH 1581-	031
30	12	12	12	12	95290-3	Fäste .....	Anchorage .....	2		040
31	1	1	-	-	694300-5	Matta .....	Mat .....			050
	-	-	1	1	694301-3	Matta .....	Mat .....			070
32	1	1	-	-	695719-5	Matta .....	Mat .....			080
	-	-	1	1	695870-6	Matta .....	Mat .....			090
33	1	1	-	-	694310-4	Matta .....	Mat .....			100
	-	-	1	1	694311-2	Matta .....	Mat .....			101
34	4	4	4	4	955154-0	Skruv .....	Screw .....			110
35	4	4	4	4	959057-1	Bricka .....	Washer .....			120
36	1	1	1	1	694328-6	Taktyg .....	Headlining .....			130
37	2	2	2	2	683807-2	Taksprygel .....	Roof bow .....			140
38	1	1	1	1	686302-1	Taksprygel .....	Roof bow .....			150
39	1	1	1	1	686303-9	Taksprygel .....	Roof bow .....			160
40	1	1	1	1	686304-7	Taksprygel .....	Roof bow .....			170
41	1	1	1	1	695196-6	Stoppning .....	Upholstery .....			171
42	5	5	5	5	666629-1	Plugg .....	Plug .....			172
43	1	1	1	1	695194-1	Stoppning, V .....	Upholstery, L .....			
	1	1	1	1	695195-8	Stoppning, H .....	Upholstery, R .....			

11) Enhet kvadratmeter. Metervarans bredd - 130 cm. Unit: Square metres. Width of material - 130 cm. Unités, en mètres carrés. Au mètre de largeur 130 cm. Einheit, Quadratmeter. Breite der Meterware - 130 cm. Unidad, en metros cuadrados. Por metro, ancho 130 cm.

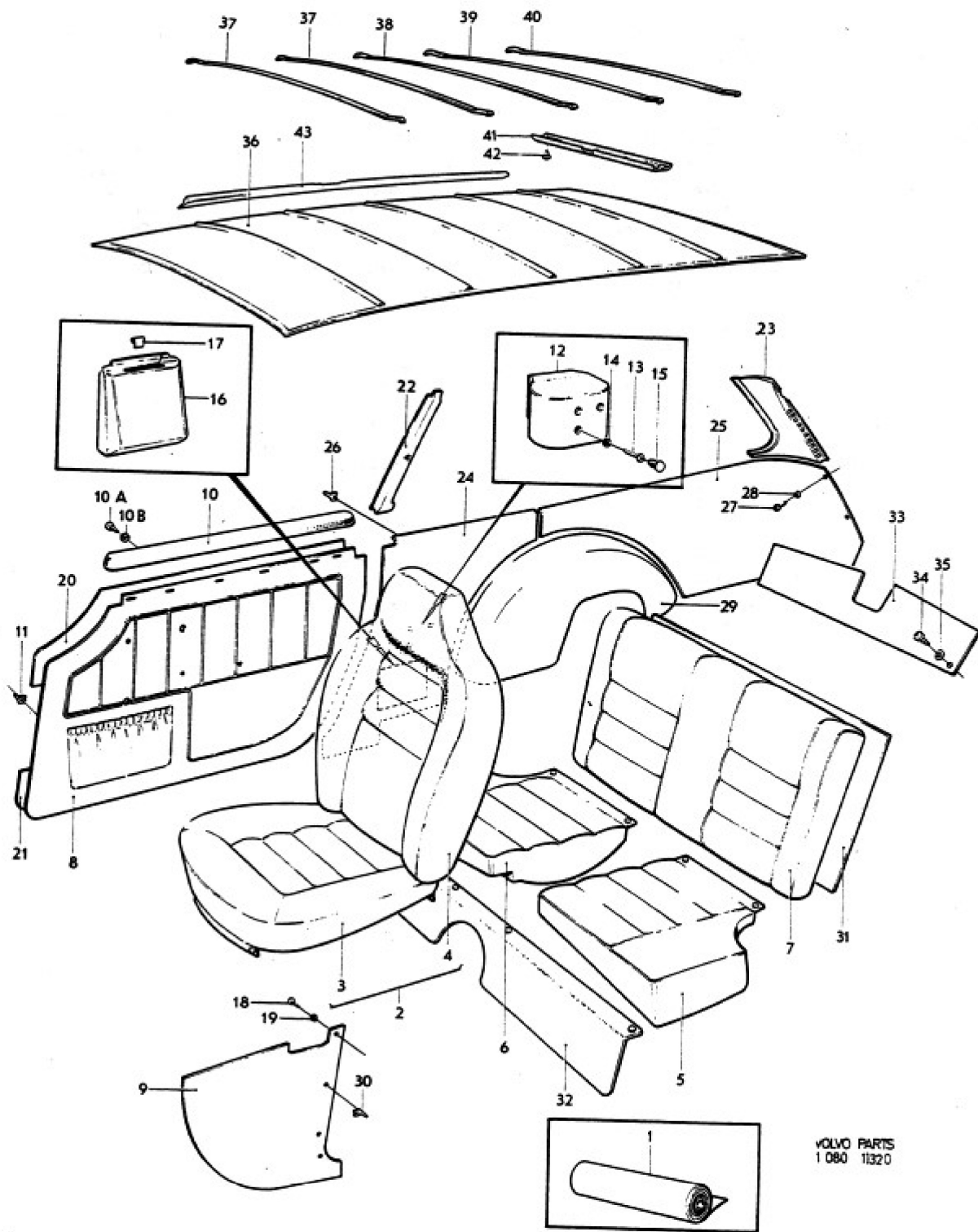


VOLVO PARTS  
1 080 1132 0



Sida Page	Grupp Group	Innerklädsel 183 komb 446,447,448,449	Upholstery 183 komb 446,447,448,449	Illustration Utgåva 11320 Issue
96	8			4

Pos. Fig.	Antal/Quantity				Detalj nr Part No	Benämning	Description	Sats Kit	Anmärkning Notes	004
	446	447	448	449						
1	ERF	-	-	-	699076-6	Vävplast, guld-metallic .....	Plastic-coated fabric, .....		11) METERVARA	010
	ERF	-	-	-		Läder, guld-metallic .....	Leather, gold-metallic .....	8		020
	-	-	-	-		Produktskyften .....	Designation plate .....			030
						stämplad 446-819	stamped 446-819			040
	-	ERF	-	-	699076-6	Vävplast, guld-metallic .....	Plastic-coated fabric, .....		11) METERVARA	050
	-	-	-	-			Gold-metallic .....			055
	-	ERF	-	-		Läder, guld-metallic .....	Leather, gold-metallic .....	8		060
	-	-	-	-		Produktskyften .....	Designation plate .....			070
	-	-	-	-		stämplad 447-820	stamped 447-820			075
	-	-	ERF	-	99949-0	Vävplast, svart .....	Plastic-coated fabric, .....		11) METERVARA	080
	-	-	-	-			black			090
	-	-	ERF	-		Läder, svart .....	Leather, black .....	8		100
	-	-	-	-		Produktskyften .....	Designation plate .....			105
	-	-	-	-		stämplad 448-821	stamped 448-821			110
	-	-	-	ERF	99949-0	Vävplast, svart .....	Plastic-coated fabric, .....		11) METERVARA	120
	-	-	-	-			Black .....			130
	-	-	-	ERF		Läder, svart .....	Leather, black .....	8		140
	-	-	-	-		Produktskyften .....	Designation plate .....			150
	-	-	-	-		stämplad 449-822	stamped 449-822			155
2	1	1	-	-	1221295-7	Framstol, V .....	Front seat, L .....			160
	-	-	1	1	1221293-2	Framstol, V .....	Front seat, L .....			170
	1	1	-	-	1221296-5	Framstol, H .....	Front seat, R .....			180
	-	-	1	1	1221294-0	Framstol, H .....	Front seat, R .....			190
3	2	2	-	-	695863-1	• Klädsel .....	• Cover .....			200
	-	-	2	2	695713-8	• Klädsel .....	• Cover .....			205
4	2	2	-	-	695865-6	• Klädsel .....	• Cover .....			210
	-	-	2	2	695714-6	• Klädsel .....	• Cover .....			211
	-	-	-	-		• Övriga ingående .....	• Other pertaining .....			212
						det. se sida 104, 106	parts see page 104, 106			213
5	1	1	-	-	695867-2	Klädsel V .....	Cover, L .....			220
	-	-	1	1	695717-9	Klädsel, V .....	Cover, L .....			230
6	1	1	-	-	695874-8	Klädsel, H .....	Cover, R .....			240
	-	-	1	1	695850-8	Klädsel, H .....	Cover, R .....			250
7	1	1	-	-	695869-8	Klädsel .....	Cover .....			260
	-	-	1	1	695721-1	Klädsel .....	Cover .....			270
8	1	1	-	-	695891-2	Dörrpanel, V .....	Door panel, L .....			280
	-	-	1	1	695727-8	Dörrpanel, V .....	Door panel, L .....			290
	1	1	-	-	695892-0	Dörrpanel, H .....	Door panel, R .....			300
	-	-	1	1	695728-6	Dörrpanel, H .....	Door panel, R .....			310
9	1	1	-	-	695880-5	Panel, V .....	Panel, L .....			320
	-	-	1	1	695725-2	Panel, V .....	Panel, L .....			330
	1	1	-	-	695882-1	Panel, H .....	Panel, R .....			340
	-	-	1	1	695726-0	Panel, H .....	Panel, R .....			350
10	1	1	1	1	688805-1	Dyna, V .....	Cushion, L .....			360
	1	1	1	1	688806-9	Dyna, H .....	Cushion, R .....			370
10a	10	10	10	10	955126-8	Skruv .....	Screw .....			380
10b	10	10	10	10	120085-6	Bricka .....	Washer .....			390
11	34	34	34	34	95290-3	Fäste .....	Anchorage .....	2		400
12	1	1	1	1	685562-1	Armstöd, V .....	Armrest, L .....			410
	1	1	1	1	685563-9	Armstöd, H .....	Armrest, R .....			420
13	6	6	6	6	950047-1	Skruv .....	Screw .....	0		430
14	6	6	6	6	61544-3	Fjädrande bricka .....	Resilient washer .....			440
15	6	6	6	6	687506-6	Propp .....	Plug .....			450
16	2	2	2	2	686538-0	Kåpa .....	Casing .....			460
17	2	2	2	2	942188-4	Clips .....	Clip .....	2		470
18	1	1	1	1	955154-0	Skruv, V .....	Screw, L .....	0		480
19	1	1	1	1	959057-1	Bricka, V .....	Washer, L .....	0		490
20	2	2	2	2	1211694-3	Skyddspapp .....	Liner .....			500
21	2	2	2	2	686940-8	Skyddspapp .....	Liner .....			510
22	1	1	1	1	683788-4	Panel, V .....	Panel, L .....			520
	1	1	1	1	683789-2	Panel, H .....	Panel, R .....			530
										540
										550
										560
										570



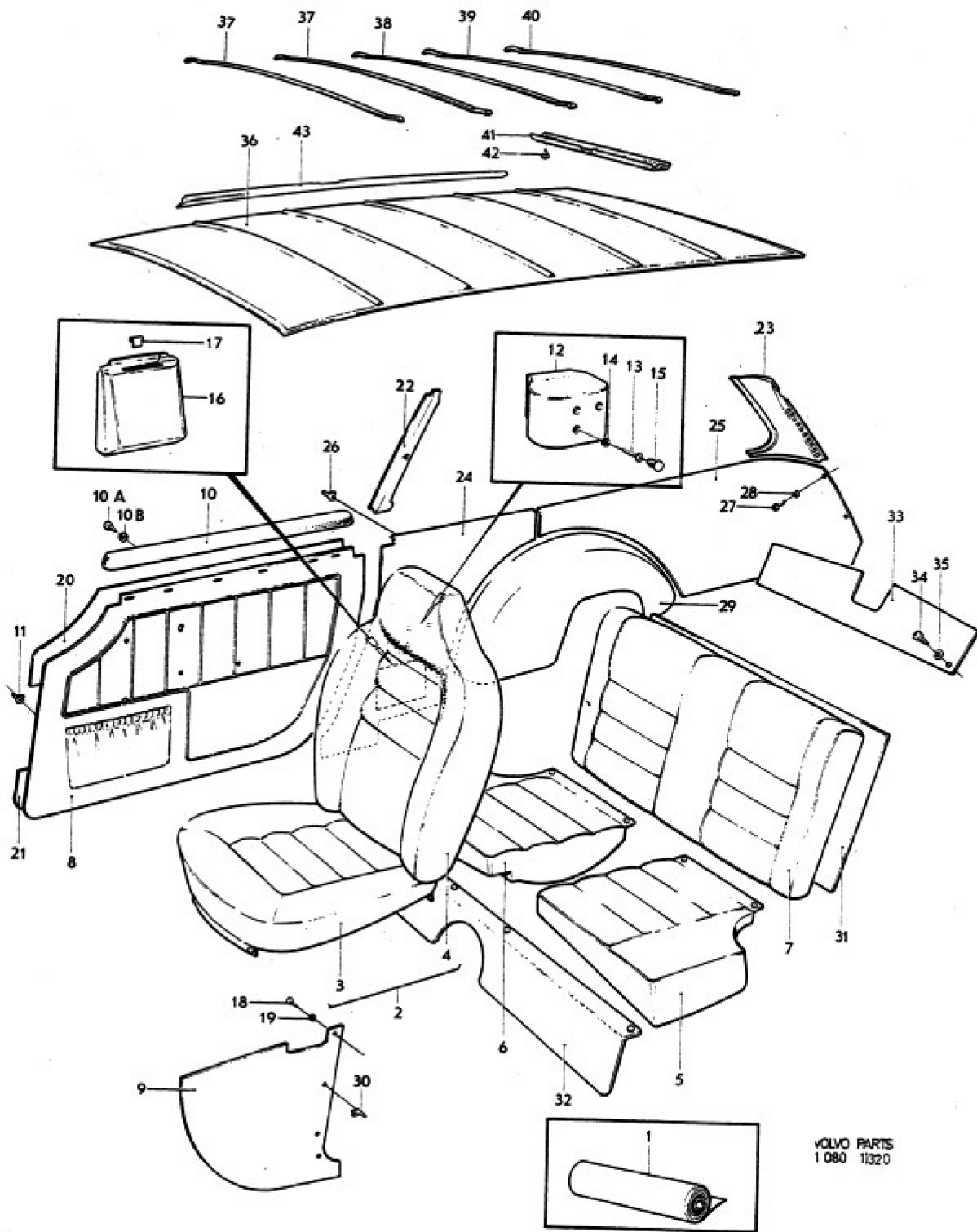
VOLVO PARTS  
1 080 1132 0



Sida Page	Grupp Group	Innerklädsel 183 komb 446,447,448,449	Upholstery 183 komb 446,447,448,449	Illustration Utgåva 11320 Issue
98a	8			2

Pos. Fig.	Antal/Quantity				Detalj nr Part No	Benämning	Description	Sats Kit	Anmärkning Notes	004
	446	447	448	449						
23	1	1	1	1	683804-9	Panel, V .....	Panel, L .....			010
	1	1	1	1	683805-6	Panel, H .....	Panel, R .....			011
24	1	1	-	-	695893-8	Panel, V .....	Panel, L .....			012
	-	-	1	1	695739-3	Panel, V .....	Panel, L .....			013
	1	1	-	-	695894-6	Panel, H .....	Panel, R .....			020
	-	-	1	1	695740-1	Panel, H .....	Panel, R .....			030
25	1	1	-	-	695883-9	Panel, V .....	Panel, L .....			040
	-	-	1	1	695887-0	Panel, V .....	Panel, L .....			050
	1	1	-	-	695884-7	Panel, H .....	Panel, R .....			060
	-	-	1	1	695888-8	Panel, H .....	Panel, R .....			070
26	24	24	24	24	95290-3	Fäste .....	Anchorage .....	2		080
27	4	4	4	4	955164-9	Skruv .....	Screw .....	0		090
28	4	4	4	4	959058-9	Karosseribricka .....	Finish washer .....	0		100
29	1	1	-	-	697306-9	Klädsel, V .....	Cover, L .....		CH-1580	110
	1	1	-	-	697548-6	Klädsel, V .....	Cover, L .....		CH 1581-	111
	-	-	1	1	697308-5	Klädsel, V .....	Cover, L .....		CH-1580	120
	-	-	1	1	697550-2	Klädsel, V .....	Cover, L .....		CH 1581-	131
	1	1	-	-	697307-7	Klädsel, H .....	Cover, R .....		CH-1580	131
	1	1	-	-	697549-4	Klädsel, H .....	Cover, R .....		CH 1581-	131
	-	-	1	1	697309-3	Klädsel, H .....	Cover, R .....		CH-1580	140
	-	-	1	1	697551-0	Klädsel, H .....	Cover, R .....		CH 1581-	141
30	12	12	12	12	95290-3	Fäste .....	Anchorage .....	2		150
31	1	1	-	-	694301-3	Matta .....	Mat .....			160
	-	-	1	1	694304-7	Matta .....	Mat .....			170
32	1	1	-	-	695870-6	Matta .....	Mat .....			180
	-	-	1	1	695872-2	Matta .....	Mat .....			190
33	1	1	-	-	694311-2	Matta .....	Mat .....			200
	-	-	1	1	694314-6	Matta .....	Mat .....			210
34	4	4	4	4	955154-0	Skruv .....	Screw .....			211
35	4	4	4	4	959057-1	Bricka .....	Washer .....			212
36	1	1	1	1	694328-6	Taktyg .....	Head lining .....			220
37	2	2	2	2	683807-2	Taksprygel .....	Roof bow .....			230
38	1	1	1	1	686302-1	Taksprygel .....	Roof bow .....			240
39	1	1	1	1	686303-9	Taksprygel .....	Roof bow .....			250
40	1	1	1	1	686304-7	Taksprygel .....	Roof bow .....			260
41	1	1	1	1	695196-6	Stoppning .....	Upholstery .....			270
42	5	5	5	5	666629-1	Plugg .....	Plug .....			280
43	1	1	1	1	695194-1	Stoppning, V .....	Upholstery, L .....			
	1	1	1	1	695195-8	Stoppning, H .....	Upholstery, R .....			

11) Enhet kvadratmeter. Metervarans bredd - 130 cm. Unit: Square metres. Width of material - 130 cm. Unités, en mètres carrés. Au mètre de largeur 130 cm. Einheit, Quadratmeter. Breite der Meterware - 130 cm. Unidad, en metros cuadrados. Por metro, ancho 130 cm.

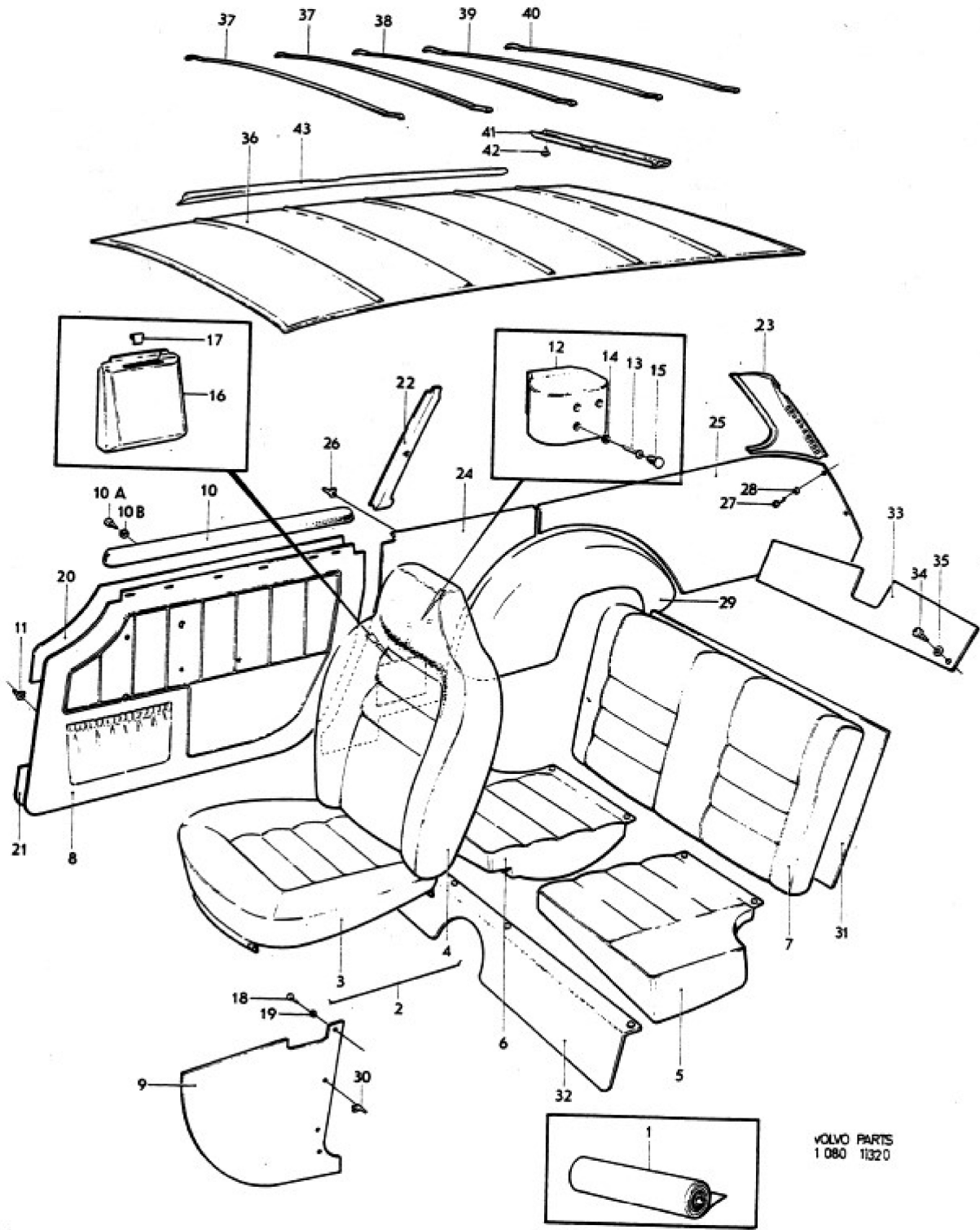


VOLVO PARTS  
1 080 1132 0



Sida Page	Grupp Group	Innerklädsel 183 komb 450, 451, 452, 453	Upholstery 183 komb 450, 451, 452, 453	Illustration Utgåva 11320 Issue
98c	8			2

Pos. Fig.	Antal/Quantity				Detalj nr Part No	Benämning	Description	Sats Kit	Anmärkning Notes	004
	450	451	452	453						
1	ERF	-	-	-	99949-0	Vävplast, svart .....	Plastic-coated fabric, .....		11) METERVARA	010
	ERF	-	-	-		Läder, svart .....	Leather, black .....	8		020
	-	-	-	-		Produktskylten .....	Designation plate .....			030
	-	-	-	-		stämplad 450-878	stamped 450-878			040
	-	ERF	-	-	99949-0	Vävplast, svart .....	Plastic-coated fabric, .....		11) METERVARA	050
	-	ERF	-	-		Läder, svart .....	Leather, black .....	8		060
	-	-	-	-		Produktskylten .....	Designation plate .....			070
	-	-	-	-		stämplad 451-879	stamped 451-879			080
	-	-	ERF	-	99949-0	Vävplast, svart .....	Plastic-coated fabric, .....		11) METERVARA	090
	-	-	ERF	-		Läder, svart .....	Leather, black .....	8		100
	-	-	-	-		Produktskylten .....	Designation plate .....			110
	-	-	-	-		stämplad 452-880	stamped 452-880			120
	-	-	-	ERF	99949-0	Vävplast, svart .....	Plastic-coated fabric, .....		11) METERVARA	130
	-	-	-	ERF		Läder, svart .....	Leather, black .....	8		140
	-	-	-	-		Produktskylten .....	Designation plate .....			150
	-	-	-	-		stämplad 453-881	stamped 453-881			160
2	1	1	1	1		Framstol, V .....	Front seat, L .....	8		170
	1	1	1	1		Framstol, H .....	Front seat, R .....	8		180
3	2	2	2	2	696347-4	•Klädsel .....	•Cover .....			190
4	2	2	2	2	696348-2	•Klädsel .....	•Cover .....			200
	-	-	-	-		•Övriga ingående .....	•Other pertaining .....			210
						det. se sida 104, 106	parts, see page 104, 106			220
5	1	1	1	1	696349-0	Klädsel, V .....	Cover, L .....			230
6	1	1	1	1	696350-8	Klädsel, H .....	Cover, R .....			240
7	1	1	1	1	696351-6	Klädsel .....	Cover .....			250
8	1	1	1	1	696363-1	Dörrpanel, V .....	Door panel, L .....			260
	1	1	1	1	696364-9	Dörrpanel, H .....	Door panel, R .....			270
9	1	1	1	1	696359-9	Panel, V .....	Panel, L .....			280
	1	1	1	1	696360-7	Panel, H .....	Panel, R .....			290
10	1	1	1	1	688805-1	Dyna, V .....	Cushion, L .....			300
	1	1	1	1	688806-9	Dyna, H .....	Cushion, R .....			310
10a	10	10	10	10	955126-8	Skruv .....	Screw .....	0		320
10b	10	10	10	10	120085-6	Bricka .....	Washer .....	0		330
11	34	34	34	34	95290-3	Fäste .....	Anchorage .....	2		340
12	1	1	1	1	685562-1	Armstöd, V .....	Armrest, L .....			350
	1	1	1	1	685563-9	Armstöd, H .....	Armrest, R .....			360
13	6	6	6	6	950047-1	Skruv .....	Screw .....	0		370
14	6	6	6	6	61544-3	Fjädrande bricka .....	Resilient washer .....			380
15	6	6	6	6	687506-6	Propp .....	Plug .....			390
16	2	2	2	2	686538-0	Kåpa .....	Casing .....			400
17	2	2	2	2	942188-4	Clips .....	Clip .....		TID UTF	410
18	1	1	1	1	955154-0	Skruv .....	Screw .....	0		420
19	1	1	1	1	959057-1	Bricka .....	Washer .....	0		430
20	2	2	2	2	1211694-3	Skyddspapp .....	Liner .....			440
21	2	2	2	2	686940-8	Skyddspapp .....	Liner .....			450
22	1	1	1	1	683788-4	Panel, V .....	Panel, L .....			460
	1	1	1	1	683789-2	Panel, H .....	Panel, R .....			470
										480
										490
										500
										510
										520
										530
										540
										550



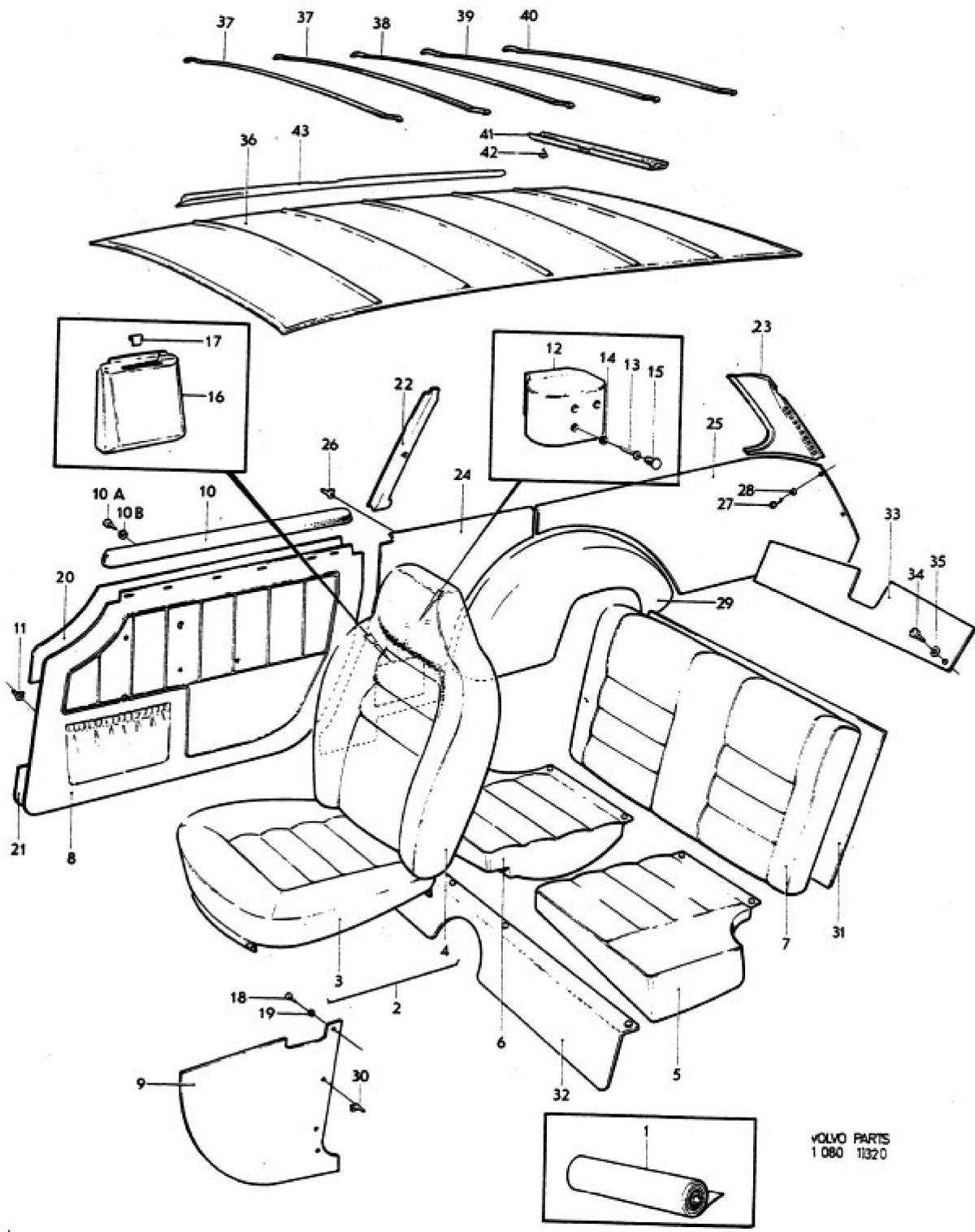
VOLVO PARTS  
1 080 11320



Sida Page	Grupp Group	Innerklädsel 183 komb 450, 451, 452, 453	Upholstery 183 komb 450, 451, 452, 453	Illustration Utgåva 11320 Issue
98e	8			2

Pos. Fig.	Antal/Quantity				Detail nr Part No	Benämning	Description	Sats Kit	Anmärkning Notes	
	450	451	452	453						
23	1	1	1	1	683804-9	Panel, V .....	Panel, L .....			004
	1	1	1	1	683805-6	Panel, H .....	Panel, R .....			010
24	1	1	1	1	696370-6	Panel, V .....	Panel, L .....			020
	1	1	1	1	696371-4	Panel, H .....	Panel, R .....			030
25	1	1	1	1	696361-5	Panel, V .....	Panel, L .....			040
	1	1	1	1	696362-3	Panel, H .....	Panel, R .....			050
	1	1	1	1	696665-9	Panel, V .....	Panel, L .....			060
	1	1	1	1	696667-5	Panel, H .....	Panel, R .....			070
26	24	24	24	24	95290-3	Fäste .....	Anchorage .....	2		080
27	4	4	4	4	955164-9	Skruv .....	Screw .....	0		090
28	4	4	4	4	959058-9	Karosseribricka .....	Finish washer .....	0		100
29	1	1	1	1	697546-0	Klädsel, V .....	Cover, L .....			110
	1	1	1	1	697544-5	Klädsel, V .....	Cover, L .....			120
	1	1	1	1	697547-8	Klädsel, H .....	Cover, R .....			130
	1	1	1	1	697545-2	Klädsel, H .....	Cover, R .....			140
30	12	12	12	12	95290-3	Fäste .....	Anchorage .....	2		150
31	1	1	1	1	694301-3	Matta .....	Mat .....			160
	1	1	1	1	694300-5	Matta .....	Mat .....			170
32	1	1	1	1	696353-2	Matta .....	Mat .....			180
	1	1	1	1	696648-5	Matta .....	Mat .....			190
33	1	1	1	1	696387-0	Matta .....	Mat .....			200
	1	1	1	1	696701-2	Matta .....	Mat .....			210
34	4	4	4	4	955154-0	Skruv .....	Screw .....			220
35	4	4	4	4	959057-1	Bricka .....	Washer .....			221
36	1	1	1	1	694328-6	Taktyg .....	Head lining .....			222
37	2	2	2	2	683807-2	Taksprygel .....	Roof bow .....			230
38	1	1	1	1	686302-1	Taksprygel .....	Roof bow .....			240
39	1	1	1	1	686303-9	Taksprygel .....	Roof bow .....			250
40	1	1	1	1	686304-7	Taksprygel .....	Roof bow .....			260
41	1	1	1	1	695196-6	Stoppning .....	Upholstery .....			270
42	5	5	5	5	666629-1	Plugg .....	Plug .....			280
43	1	1	1	1	695194-1	Stoppning, V .....	Upholstery, L .....			290
	1	1	1	1	695195-8	Stoppning, H .....	Upholstery, R .....			300
										310

11) Enhet kvadratmeter. Metervarans bredd - 130 cm. Unit: Square metres. Width of material - 130 cm. Unités, en mètres carrés. Au mètre de largeur 130 cm. Einheit, Quadratmeter. Breite der Meterware - 130 cm. Unidad, en metros cuadrados. Por metro, ancho 130 cm.

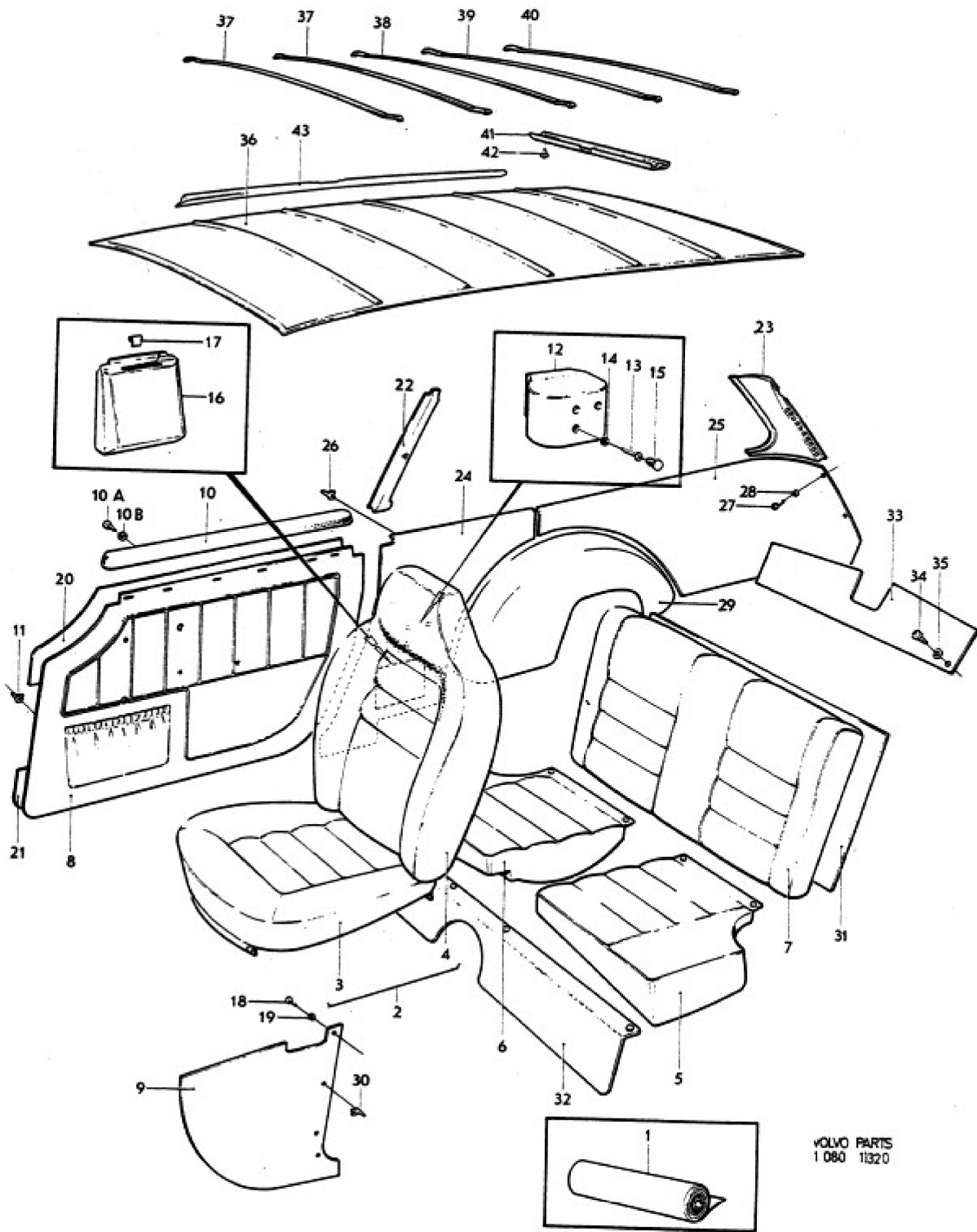


VOLVO PARTS  
1 080 1132 0



Sida Page	Grupp Group	Innerklädsel 183 komb 454, 455, 456, 457	Upholstery 183 komb 454, 455, 456, 457	Illustration Utgåva 11320 Issue
98g	8			2

Pos. Fig.	Antal/Quantity				Detalj nr Part No	Benämning	Description	Sats Kit	Anmärkning Notes	004
	454	455	456	457						
1	ERF	-	-	-	99949-0	Vävplast, svart .....	Plastic-coated fabric, .....		11) METERVARA	010
	ERF	-	-	-		Läder, svart .....	Leather, black .....	8		020
	-	-	-	-		Produktskylten .....	Designation plate .....			030
	-	-	-	-		stämplad 454-882	stamped 454-882			040
	-	ERF	-	-	99949-0	Vävplast, svart .....	Plastic-coated fabric, .....		11) METERVARA	050
	-	ERF	-	-		Läder, svart .....	Leather, black .....	8		060
	-	-	-	-		Produktskylten .....	Designation plate .....			070
	-	-	-	-		stämplad 455-883	stamped 455-883			080
	-	-	ERF	-		Vävplast, läderfärg .....	Plastic-coated fabric, .....	8	11) METERVARA	090
	-	-	ERF	-		Läder, läderfärg .....	Leather, hide .....	8		100
	-	-	-	-		Produktskylten .....	Designation plate .....			110
	-	-	-	-		stämplad 456-884	stamped 456-884			120
	-	-	-	ERF		Vävplast, läderfärg .....	Plastic-coated fabric, .....	8	11) METERVARA	130
	-	-	-	ERF		Läder, läderfärg .....	Leather, hide .....	8		140
	-	-	-	-		Produktskylten .....	Designation plate .....			150
	-	-	-	-		stämplad 457-885	stamped 457-885			160
	-	-	-	ERF		Vävplast, läderfärg .....	Plastic-coated fabric, .....	8	11) METERVARA	170
	-	-	-	ERF		Läder, läderfärg .....	Leather, hide .....	8		180
	-	-	-	-		Produktskylten .....	Designation plate .....			190
	-	-	-	-		stämplad 457-885	stamped 457-885			200
2		1	-	-		Framstol, V .....	Front seat, L .....	8		210
	-	-	-	1	1	Framstol, H .....	Front seat, R .....	8		220
3	2	2	-	-	696347-4	•Klädsel .....	•Cover .....			230
	-	-	-	2	2	696640-2	•Klädsel .....	•Cover .....		240
4	2	2	-	-	696348-2	•Klädsel .....	•Cover .....			250
	-	-	-	2	2	696642-8	•Klädsel .....	•Cover .....		260
	-	-	-	-		•Övriga ingående .....	•Other pertaining .....			270
	-	-	-	-		det. se sida 104, 106	parts, see page 104, 106			280
5	2	2	-	-	696349-0	Klädsel, V .....	Cover, L .....			290
	-	-	-	2	2	696644-4	Klädsel, V .....	Cover, L .....		300
6	2	2	-	-	696350-8	Klädsel, H .....	Cover, R .....			310
	-	-	-	2	2	696646-9	Klädsel, H .....	Cover, R .....		320
7	2	2	-	-	696351-6	Klädsel .....	Cover .....			330
	-	-	-	2	2	696650-1	Klädsel .....	Cover .....		340
8	1	1	-	-	696363-1	Dörrpanel, V .....	Door panel, L .....			350
	-	-	-	1	1	696669-1	Dörrpanel, V .....	Door panel, L .....		360
	1	1	-	-	696364-9	Dörrpanel, H .....	Door panel, R .....			370
	-	-	-	1	1	696671-7	Dörrpanel, H .....	Door panel, R .....		380
9	1	1	-	-	696359-9	Panel, V .....	Panel, L .....			390
	-	-	-	1	1	696360-7	Panel, V .....	Panel, L .....		400
	1	1	-	-	696661-8	Panel, H .....	Panel, R .....			410
	-	-	-	1	1	696663-4	Panel, H .....	Panel, R .....		420
10	1	1	-	-	688805-1	Dyna, V .....	Cushion, L .....			430
	1	1	-	-	688806-9	Dyna, H .....	Cushion, R .....			440
10a	10	10	10	10	955126-8	Skruv .....	Screw .....	0		450
10b	10	10	10	10	120085-6	Bricka .....	Washer .....			460
11	34	34	34	34	95290-3	Fäste .....	Anchorage .....	2		470
12	1	1	-	-	685562-1	Armstöd, V .....	Armrest, L .....			480
	1	1	-	-	685563-9	Armstöd, H .....	Armrest, R .....			490
13	6	6	6	6	950047-1	Skruv .....	Screw .....	0		500
14	6	6	6	6	61544-3	Fjädrande bricka .....	Resilient washer .....			510
15	6	6	6	6	687506-6	Propp .....	Plug .....			520
16	2	2	2	2	686538-0	Kåpa .....	Casing .....			530
17	2	2	2	2	942188-4	Clips .....	Clip .....		TID UTF	540
18	1	1	-	-	955154-0	Skruv .....	Screw .....	0		550
19	1	1	-	-	959057-1	Bricka .....	Washer .....	0		560



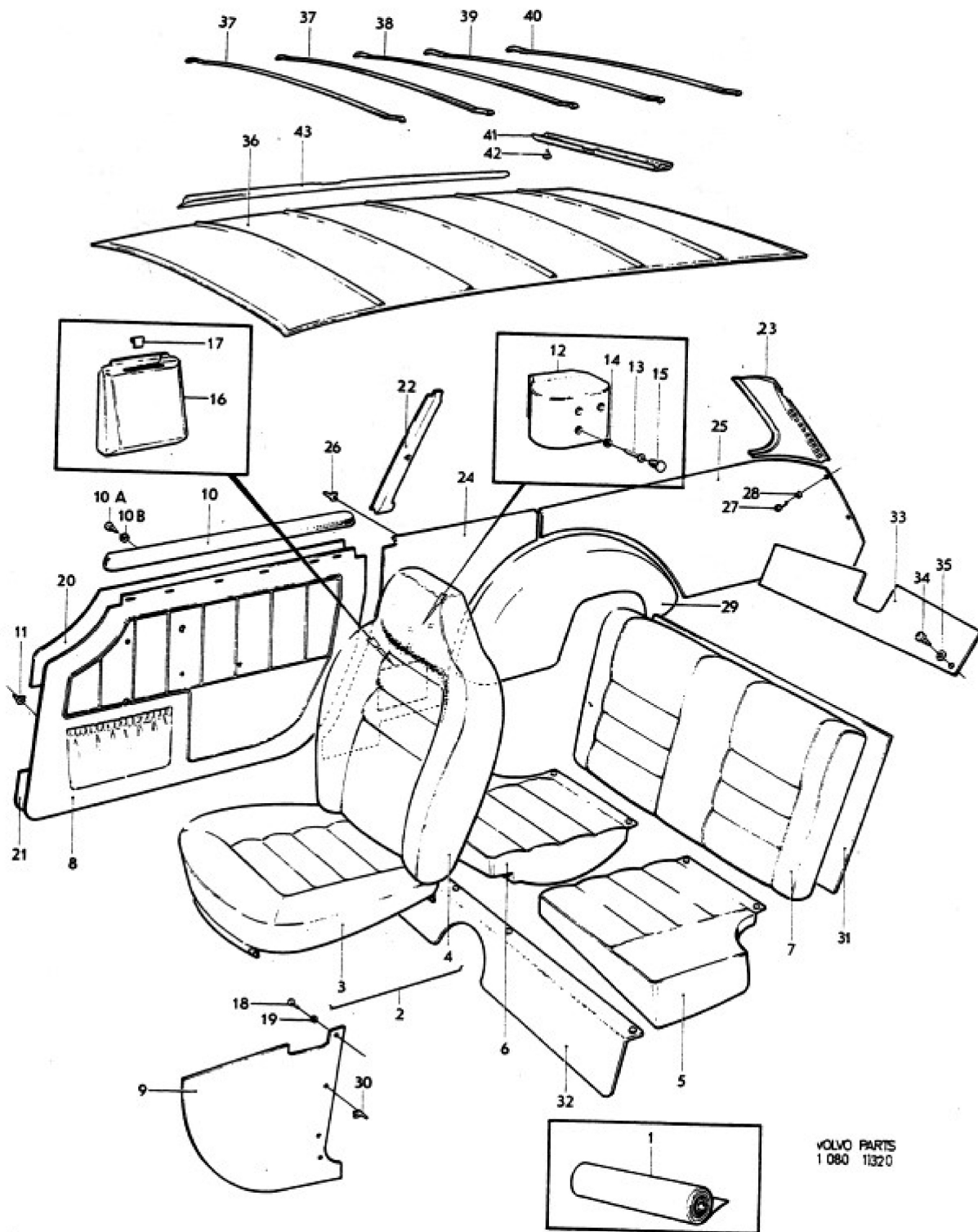
VOLVO PARTS  
 1 080 1132 0



Sida 100a Grupp 8 Innerklädsel 183 Upholstery 183 Illustration Utgåva 2  
Page 100a Group 8 komb 454, 455, 456, 457 komb 454, 455, 456, 457 11320 Issue

Pos. Fig.	Antal/Quantity				Detalj nr Part No	Benämning	Description	Sats Kit	Anmärkning Notes	
	454	455	456	457						
20	2	2	2	2	1211694-3	Skyddspapp .....	Liner .....			010
21	2	2	2	2	686940-8	Skyddspapp .....	Liner .....			020
22	1	1	1	1	683788-4	Panel, V .....	Panel, L .....			030
	1	1	1	1	683789-2	Panel, H .....	Panel, R .....			040
23	1	1	1	1	683804-9	Panel, V .....	Panel, L .....			050
	1	1	1	1	683805-6	Panel, H .....	Panel, R .....			060
24	1	1	-	-	696370-6	Panel, V .....	Panel, L .....			070
	-	-	1	1	696673-3	Panel, V .....	Panel, L .....			080
	1	1	-	-	696371-4	Panel, H .....	Panel, R .....			090
	-	-	1	1	696675-8	Panel, H .....	Panel, R .....			100
25	1	1	-	-	696666-7	Panel, V .....	Panel, L .....			130
	-	-	1	1	696361-5	Panel, V .....	Panel, L .....			140
	1	1	-	-	696668-3	Panel, H .....	Panel, R .....			150
	-	-	1	1	696362-3	Panel, H .....	Panel, R .....			160
26	24	24	24	24	95290-3	Fäste .....	Anchorage .....	2		170
27	4	4	4	4	955164-9	Skruv .....	Screw .....	0		180
28	4	4	4	4	959058-9	Karosseribricka .....	Finish washer .....	0		190
29	1	1	-	-	697550-2	Klädsel, V .....	Cover, L .....			200
	-	-	1	1	697552-8	Klädsel, V .....	Cover, L .....			210
	1	1	-	-	697551-0	Klädsel, H .....	Cover, R .....			220
	-	-	1	1	697553-6	Klädsel, H .....	Cover, R .....			230
30	12	12	12	12	95290-3	Fäste .....	Anchorage .....	2		240
31	1	1	-	-	694304-7	Matta .....	Mat .....			250
	-	-	1	1	694301-3	Matta .....	Mat .....			260
32	1	1	-	-	696649-3	Matta .....	Mat .....			270
	-	-	1	1	696353-2	Matta .....	Mat .....			280
33	1	1	-	-	696702-0	Matta .....	Mat .....			281
	-	-	1	1	696387-0	Matta .....	Mat .....			282
34	4	4	4	4	955154-0	Skruv .....	Screw .....			290
35	4	4	4	4	959057-1	Bricka .....	Washer .....			300
36	1	1	1	1	694328-6	Taktyg .....	Head lining .....			310
37	2	2	2	2	683807-2	Taksprygel .....	Roof bow .....			320
38	1	1	1	1	686302-1	Taksprygel .....	Roof bow .....			330
39	1	1	1	1	686303-9	Taksprygel .....	Roof bow .....			340
40	1	1	1	1	686304-7	Taksprygel .....	Roof bow .....			350
41	1	1	1	1	695196-6	Stoppning .....	Upholstery .....			
42	5	5	5	5	666629-1	Plugg .....	Plug .....			
43	1	1	1	1	695194-1	Stoppning, V .....	Upholstery, L .....			
	1	1	1	1	695195-8	Stoppning, H .....	Upholstery, R .....			

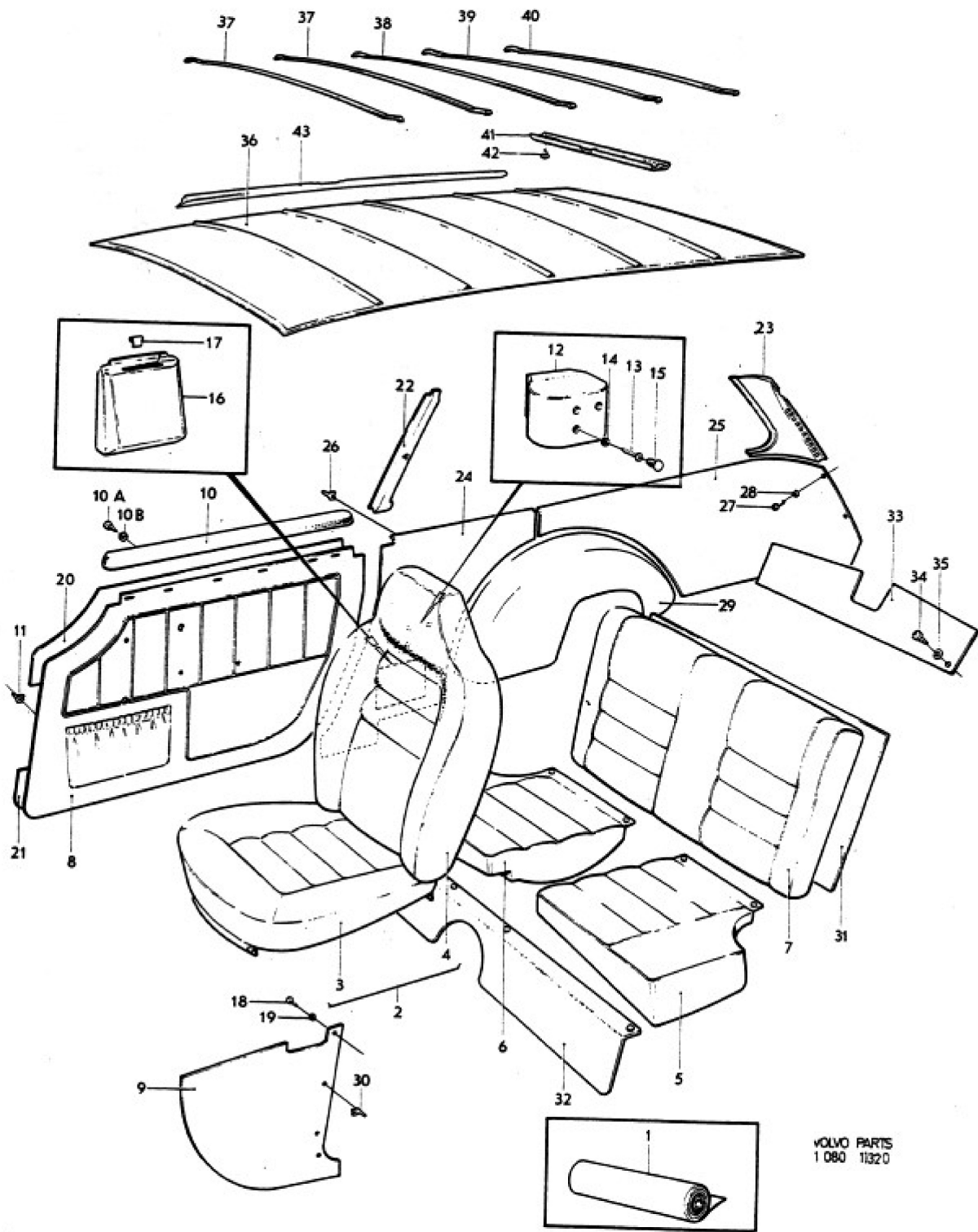
11) Enhet kvadratmeter. Metervarans bredd - 130 cm. Unit: Square metres. Width of material - 130 cm. Unités, en mètres carrés. Au mètre de largeur 130 cm. Einheit, Quadratmeter. Breite der Meterware - 130 cm. Unidad, en metros cuadrados. Por metro, ancho 130 cm.





Sida Page	Grupp Group	Innerklädsel 183 komb 458, 459, 460, 461	Upholstery 183 komb 458, 459, 460, 461	Illustration Utgåva 11320 Issue
100c	8			3

Pos. Fig.	Antal/Quantity				Detail nr Part No	Benämning	Description	Sats Kit	Anmärkning Notes	004
	458	459	460	461						
1	ERF	-	-	-		Vävplast, läderfärg .....	Plastic-coated fabric, .....	8	11) METERVARA	010
	ERF	-	-	-		Läder, läderfärg .....	Leather, hide .....	8		020
	-	-	-	-		Produktskylten .....	Designation plate .....			030
	-	-	-	-		stämplad 458-886	stamped 458-886			040
	-	ERF	-	-		Vävplast, läderfärg .....	Plastic-coated fabric, .....	8	11) METERVARA	050
	-	ERF	-	-		Läder, läderfärg .....	Leather, hide .....	8		060
	-	-	-	-		Produktskylten .....	Designation plate .....			070
	-	-	-	-		stämplad 459-887	stamped 459-887			080
	-	-	-	ERF	699151-7	Vävplast, blå .....	Plastic-coated fabric, .....		11) METERVARA	090
	-	-	-	ERF		Läder, blått .....	Leather, blue .....	8		100
	-	-	-	-		Produktskylten .....	Designation plate .....			110
	-	-	-	-		stämplad 460-888	stamped 460-888			120
-	-	-	ERF	699151-7	Vävplast, blå .....	Plastic-coated fabric, .....		11) METERVARA	130	
-	-	-	ERF		Läder, blått .....	Leather, blue .....	8		140	
-	-	-	-		Produktskylten .....	Designation plate .....			150	
-	-	-	-		stämplad 461-889	stamped 461-889			160	
2	1	1	-	-		Framstol, V .....	Front seat, L .....	8		170
	-	-	-	1	1	Framstol, V .....	Front seat, L .....	8		180
	1	1	-	-		Framstol, H .....	Front seat, R .....	8		190
	-	-	-	1	1	Framstol, H .....	Front seat, R .....	8		200
	3	2	2	-	-	696640-2	•Klädsel .....	•Cover .....		210
	-	-	-	2	2	696641-0	•Klädsel .....	•Cover .....		220
	4	2	2	-	-	696642-8	•Klädsel .....	•Cover .....		230
	-	-	-	2	2	696643-6	•Klädsel .....	•Cover .....		240
	-	-	-	-	-		•Övriga ingående .....	•Other pertaining .....		250
	-	-	-	-	-		det. se sida 104, 106	parts, see page 104, 106		260
	5	2	2	-	-	696644-4	Klädsel, V .....	Cover, L .....		270
	-	-	-	2	2	696645-1	Klädsel, V .....	Cover, L .....		280
6	2	2	-	-	696646-9	Klädsel, H .....	Cover, R .....		290	
-	-	-	2	2	696647-7	Klädsel, H .....	Cover, R .....		300	
7	1	1	-	-	696650-1	Klädsel .....	Cover .....		310	
-	-	-	1	1	696651-9	Klädsel .....	Cover .....		320	
8	1	1	-	-	696669-1	Dörrpanel, V .....	Door panel, L .....		330	
-	-	-	1	1	696670-9	Dörrpanel, V .....	Door panel, L .....		340	
-	1	1	-	-	696671-7	Dörrpanel, H .....	Door panel, R .....		350	
-	-	-	1	1	696672-5	Dörrpanel, H .....	Door panel, R .....		360	
9	1	1	-	-	696661-8	Panel, V .....	Panel, L .....		370	
-	-	-	1	1	696662-6	Panel, V .....	Panel, L .....		380	
-	1	1	-	-	696663-4	Panel, H .....	Panel, R .....		390	
-	-	-	1	1	696664-2	Panel, H .....	Panel, R .....		400	
10	1	1	1	1	688805-1	Dyna, V .....	Cushion, L .....		410	
-	1	1	1	1	688806-9	Dyna, H .....	Cushion, R .....		420	
10a	10	10	10	10	955126-8	Skruv .....	Screw .....		430	
10b	10	10	10	10	120085-6	Bricka .....	Washer .....		440	
11	34	34	34	34	95290-3	Fäste .....	Anchorage .....	2	450	
12	1	1	1	1	685562-1	Armstöd, V .....	Armrest, L .....		460	
-	1	1	1	1	685563-9	Armstöd, H .....	Armrest, R .....		470	
13	6	6	6	6	950047-1	Skruv .....	Screw .....	0	480	
14	6	6	6	6	61544-3	Fjädrande bricka .....	Resilient washer .....		490	
15	6	6	6	6	687506-6	Propp .....	Plug .....		500	
									510	
									520	
									530	
									540	
									550	
									560	
									570	
									580	

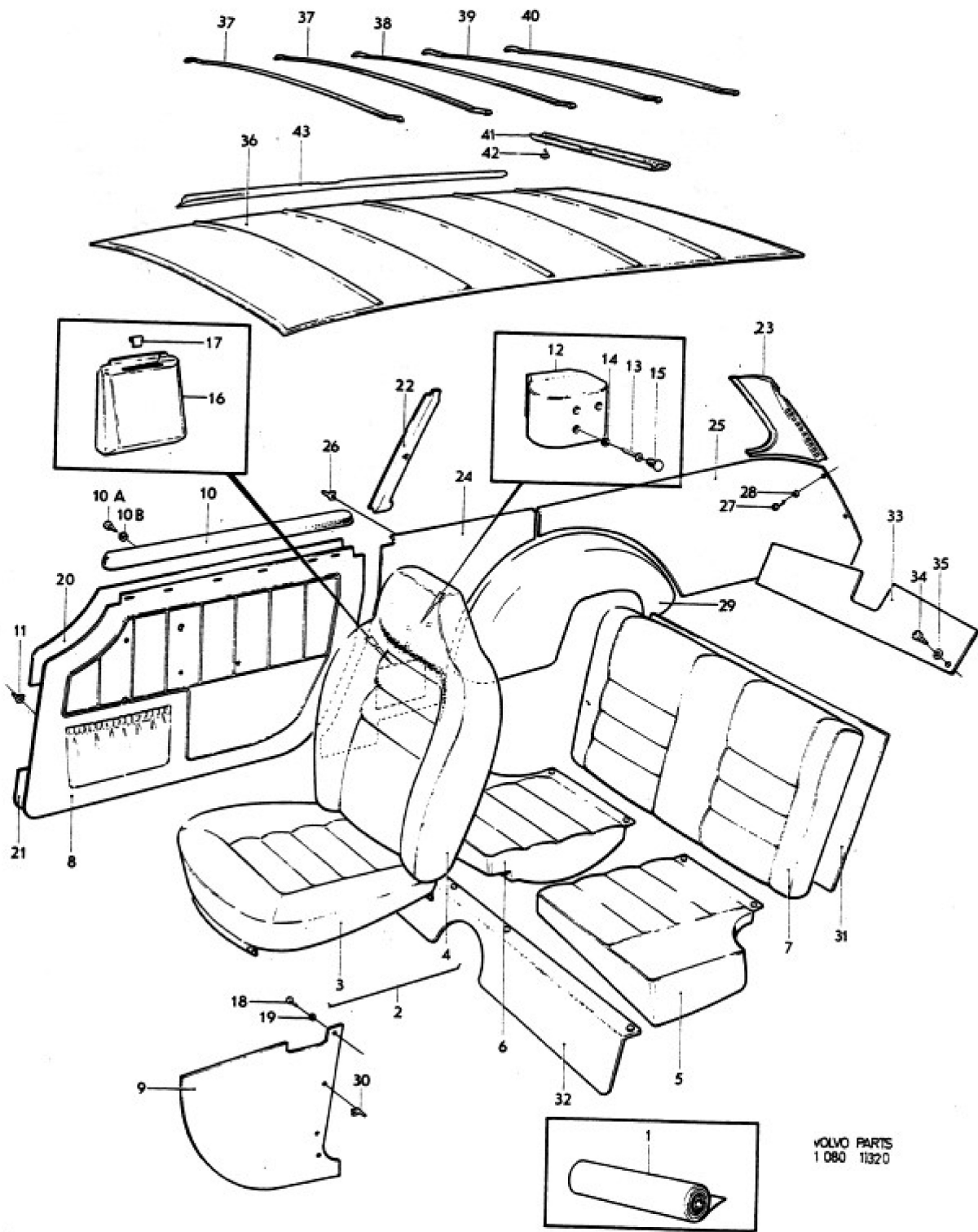




Sida Page	Grupp Group	Innerklädsel 183 komb 458, 459, 460, 461	Upholstery 183 komb 458, 459, 460, 461	Illustration Utgåva 2
100e	8			11320 Issue

Pos. Fig.	Antal/Quantity				Detalj nr Part No	Benämning	Description	Sats Kit	Anmärkning Notes	
	458	459	460	461						
16	2	2	2	2	686538-0	Kåpa .....	Casing .....			010
17	2	2	2	2	942188-4	Clips .....	Clip .....		TID UTF	020
18	1	1	1	1	955154-0	Skruv .....	Screw .....	0		030
19	1	1	1	1	959057-1	Bricka .....	Washer .....	0		040
20	2	2	2	2	1211694-3	Skyddspapp .....	Liner .....			050
21	2	2	2	2	686940-8	Skyddspapp .....	Liner .....			060
22	1	1	1	1	683788-4	Panel, V .....	Panel, L .....			070
	1	1	1	1	683789-2	Panel, H .....	Panel, R .....			080
23	1	1	1	1	683804-9	Panel, V .....	Panel, L .....			090
	1	1	1	1	683805-6	Panel, H .....	Panel, R .....			100
24	1	1	-	-	696673-3	Panel, V .....	Panel, L .....			110
	-	-	1	1	696674-1	Panel, V .....	Panel, L .....			120
	1	1	-	-	696675-8	Panel, H .....	Panel, R .....			130
	-	-	1	1	696676-6	Panel, H .....	Panel, R .....			140
25	1	1	1	1	696666-7	Panel, V .....	Panel, L .....			150
	-	-	1	1	696668-3	Panel, H .....	Panel, R .....			160
26	24	24	24	24	95290-3	Fäste .....	Anchorage .....	2		170
27	4	4	4	4	955164-9	Skruv .....	Screw .....	0		180
28	4	4	4	4	959058-9	Karosseribricka .....	Finish washer .....	0		190
29	1	1	-	-	697554-4	Klädsel, V .....	Cover, L .....			200
	-	-	1	1	697556-9	Klädsel, V .....	Cover, L .....			210
	1	1	-	-	697555-1	Klädsel, H .....	Cover, R .....			220
	-	-	1	1	697557-7	Klädsel, H .....	Cover, R .....			230
30	12	12	12	12	95290-3	Fäste .....	Anchorage .....	2		240
31	1	1	1	1	694304-7	Matta .....	Mat .....			250
32	1	1	1	1	696649-3	Matta .....	Mat .....			260
33	1	1	1	1	696702-0	Matta .....	Mat .....			270
34	4	4	4	4	955154-0	Skruv .....	Screw .....			271
35	4	4	4	4	959057-1	Bricka .....	Washer .....			272
36	1	1	1	1	694328-6	Taktyg .....	Head lining .....			280
37	2	2	2	2	683807-2	Taksprygel .....	Roof bow .....			290
38	1	1	1	1	686302-1	Taksprygel .....	Roof bow .....			300
39	1	1	1	1	686303-9	Taksprygel .....	Roof bow .....			310
40	1	1	1	1	686304-7	Taksprygel .....	Roof bow .....			320
41	1	1	1	1	695196-6	Stoppning .....	Upholstery .....			330
42	5	5	5	5	666629-1	Plugg .....	Plug .....			340
43	1	1	1	1	695194-1	Stoppning, V .....	Upholstery, L .....			350
	1	1	1	1	695195-8	Stoppning, H .....	Upholstery, R .....			360

11) Enhet kvadratmeter. Metervarans bredd - 130 cm. Unit: Square metres. Width of material - 130 cm. Unités, en mètres carrés. Au mètre de largeur 130 cm. Einheit, Quadratmeter. Breite der Meterware - 130 cm. Unidad, en metros cuadrados. Por metro, ancho 130 cm.



VOLVO PARTS  
1 080 11320