

VOLVO
KA9296

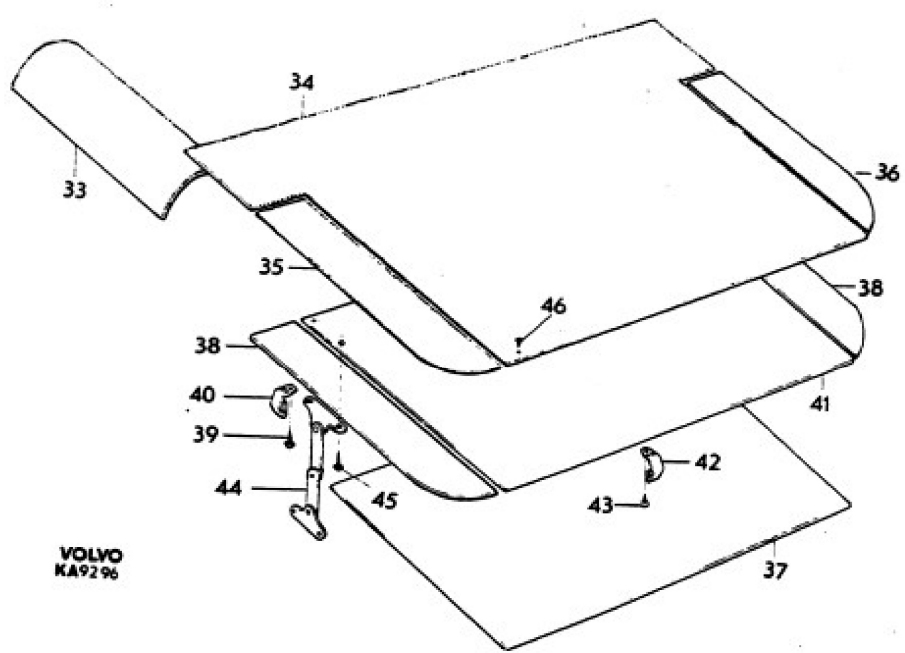
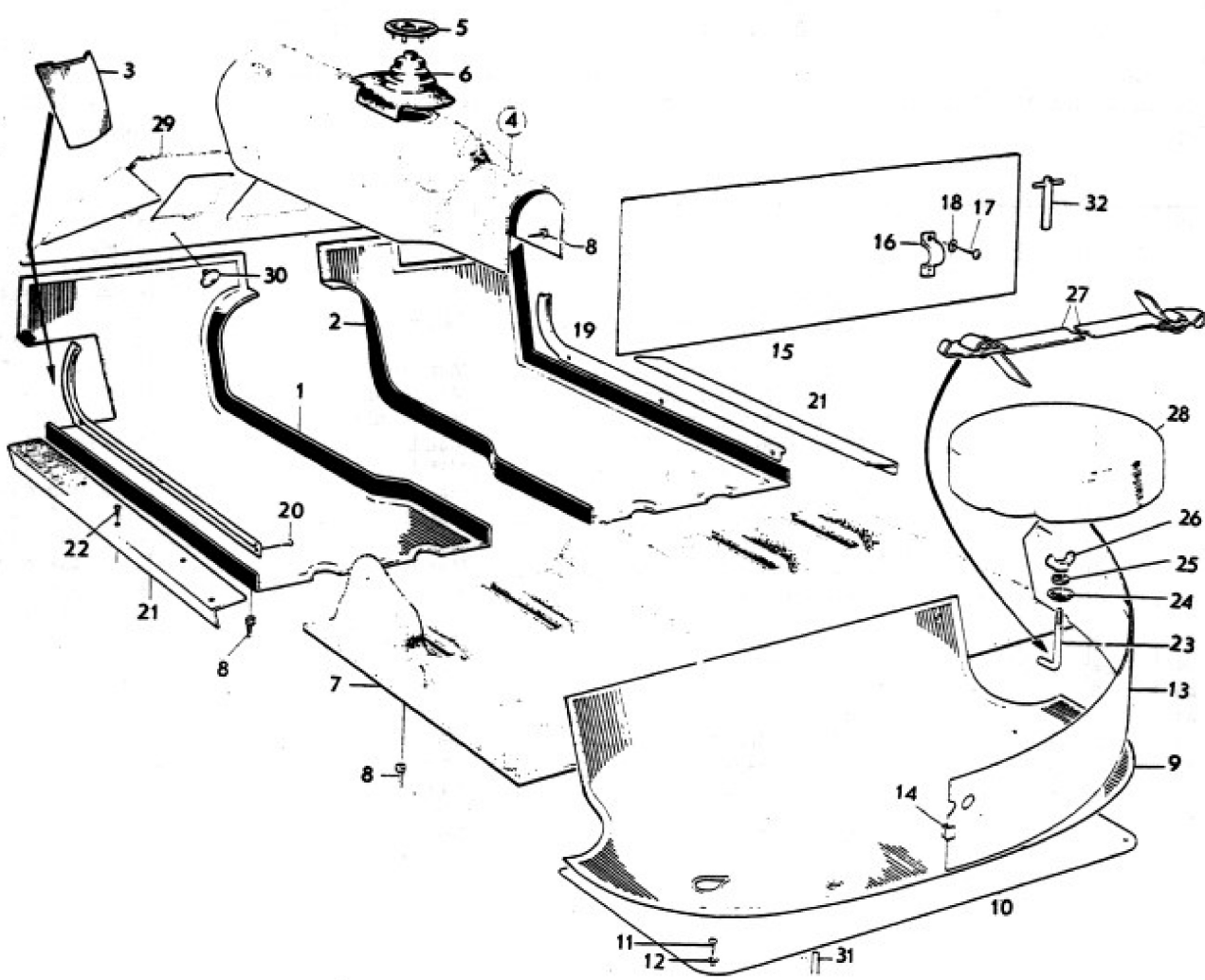


Sida	Grupp	Golvbeklädning	Floor coverings	Illustration Utgåva
52	8	182. 183 CH -3069.	182. 183 CH -3069.	5
Page	Group			9296 Issue

Pos. Fig.	Antal/Quantity				Detalj nr Part No	Benämning	Description	Sats Kit	Anmärkning Notes	
1	1	-	-	-		Matta, V	Mat, L	8	KOMB 307, 308	010
	1	-	-	-	691660-5	Matta, V	Mat, L	3	KOMB 310	020
	1	-	-	-		Matta, V	Mat, L	8	KOMB 317, 318	030
	1	-	-	-	691662-1	Matta, V	Mat, L	3	KOMB 320	040
	1	-	-	-	693275-0	Matta, V	Mat, L	3	KOMB 327	050
	1	-	-	-	693281-8	Matta, V	Mat, L	3	KOMB 328	060
	1	-	-	-	693277-6	Matta, V	Mat, L	3	KOMB 329	070
	1	-	-	-	693283-4	Matta, V	Mat, L	3	KOMB 330	080
	1	-	-	-	693279-2	Matta, V	Mat, L	3	KOMB 331, 335	090
	1	-	-	-	693285-9	Matta, V	Mat, L	3	KOMB 332, 336	100
	1	-	-	-	694267-6	Matta, V	Mat, L	3	KOMB 337, 339	
	1	-	-	-					ERS AV 697157-6	110
	1	-	-	-	694277-5	Matta, V	Mat, L	3	KOMB 338, 340	120
1	-	-	-	694269-2	Matta, V	Mat, L	3	KOMB 341, 343.	130	
								ERS AV 697158-4	131	
1	-	-	-	694279-1	Matta, V	Mat, L	3	KOMB 342, 344	140	
1	-	-	-	697157-6	Matta, V	Mat, L	3	KOMB 345, 440		
1	-	-	-	697163-4	Matta, V	Mat, L	3	KOMB 346, 441	160	
1	-	-	-	696374-8	Matta, V	Mat, L		KOMB 347, 351, 442, 446	170	
1	-	-	-	697164-2	Matta, V	Mat, L	3	KOMB 348, 352, 443, 447	180	
1	-	-	-	695907-6	Matta, V	Mat, L	3	KOMB 353, 448	190	
1	-	-	-	695913-4	Matta, V	Mat, L	3	KOMB 354, 449	200	
2	1	-	-	-	691076-4	Matta, H	Mat, R	4	KOMB 307, 308	210
	1	-	-	-	691661-3	Matta, H	Mat, R	4	KOMB 310	220
	1	-	-	-	691079-8	Matta, H	Mat, R	4	KOMB 317, 318	230
	1	-	-	-	691663-9	Matta, H	Mat, R	4	KOMB 320	240
	1	-	-	-	693276-8	Matta, H	Mat, R	4	KOMB 327	250
	1	-	-	-	693282-6	Matta, H	Mat, R	4	KOMB 328	260
	1	-	-	-	693278-4	Matta, H	Mat, R	4	KOMB 329	270
	1	-	-	-	693284-2	Matta, H	Mat, R	4	KOMB 330	280
	1	-	-	-	693280-0	Matta, H	Mat, R	4	KOMB 331, 335	290
	1	-	-	-	693286-7	Matta, H	Mat, R	4	KOMB 332, 336	300
	1	-	-	-	694268-4	Matta, H	Mat, R	4	KOMB 337, 339	310
	1	-	-	-					ERS AV 697160-0	311
	1	-	-	-	694278-3	Matta, H	Mat, R	4	KOMB 338, 340	320
				694270-0	Matta, H	Mat, R	4	KOMB 341, 343.	330	
								ERS AV 697161-8	330	
1	-	-	-	694280-9	Matta, H	Mat, R	4	KOMB 342, 344		
1	-	-	-	697160-0	Matta, H	Mat, R	4	KOMB 345, 440	350	
1	-	-	-	697166-7	Matta, H	Mat, R	4	KOMB 346, 441	360	
1	-	-	-	696375-5	Matta, H	Mat, R		KOMB 347, 351, 442, 446	370	
1	-	-	-	697167-5	Matta, H	Mat, R	4	KOMB 348, 352, 443, 447	380	
1	-	-	-	695908-4	Matta, H	Mat, R	4	KOMB 353, 448	390	
1	-	-	-	695914-2	Matta, H	Mat, R	4	KOMB 354, 449	400	
3	-	-	-		Matta	Mat	8	KOMB 307, 308, 317, 318, 320	410	
4	1	-	-	-	Matta	Mat	8	KOMB 307, 308, 317, 318	430	
1	-	-	-	691659-7	Matta	Mat		KOMB 310, 320	440	
1	-	-	-	693293-3	Matta	Mat		KOMB 327, 328	450	
1	-	-	-	693294-1	Matta	Mat		KOMB 329, 330	460	
1	-	-	-	693295-8	Matta	Mat		KOMB 331, 332, 335, 336	470	
1	-	-	-	694296-5	Matta	Mat		KOMB 337, 338, 339, 340	480	
1	-	-	-	694297-3	Matta	Mat		KOMB 341, 342, 343, 344	490	
1	-	-	-	697175-8	Matta	Mat		KOMB 345, 346, 440, 441	500	
1	-	-	-	697176-6	Matta	Mat		KOMB 347, 348, 351, 352, 442, 443, 446, 447	510	
1	-	-	-	695923-3	Matta	Mat		KOMB 353, 354, 448, 449	530	
5	1	-	-	668130-8	Prydnadsring	Trim ring		CH -30000	540	
6	-	-	-		Gummikåpa	Rubber casing		SE GRUPP 4	550	
7	1	-	-	691077-2	Matta	Mat		KOMB 307, 308	560	
1	-	-	-	691664-7	Matta	Mat		KOMB 310	570	
1	-	-	-		Matta	Mat	8	KOMB 317, 318	580	
1	-	-	-	691665-4	Matta	Mat		KOMB 320	590	
1	-	-	-	693287-5	Matta	Mat		KOMB 327	600	



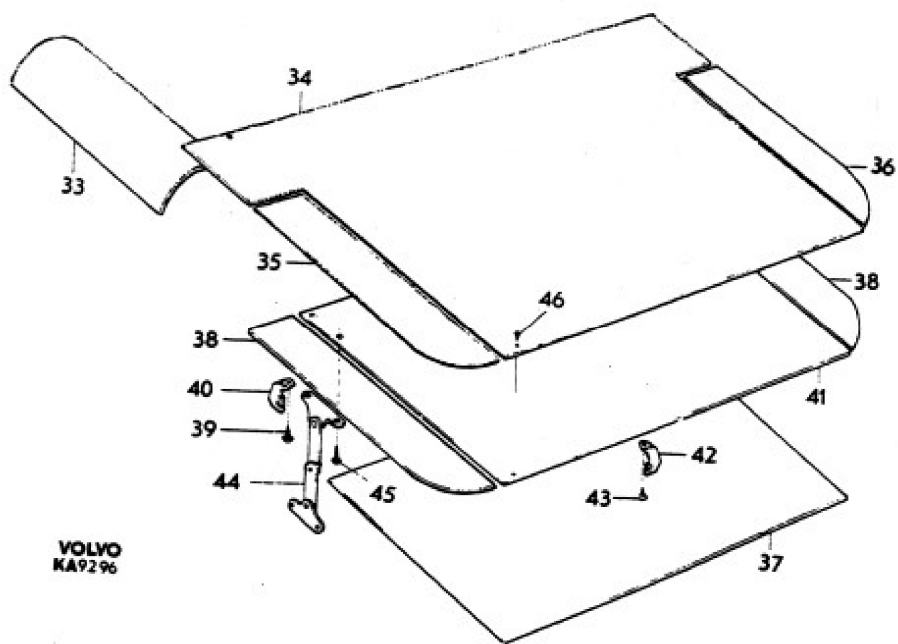
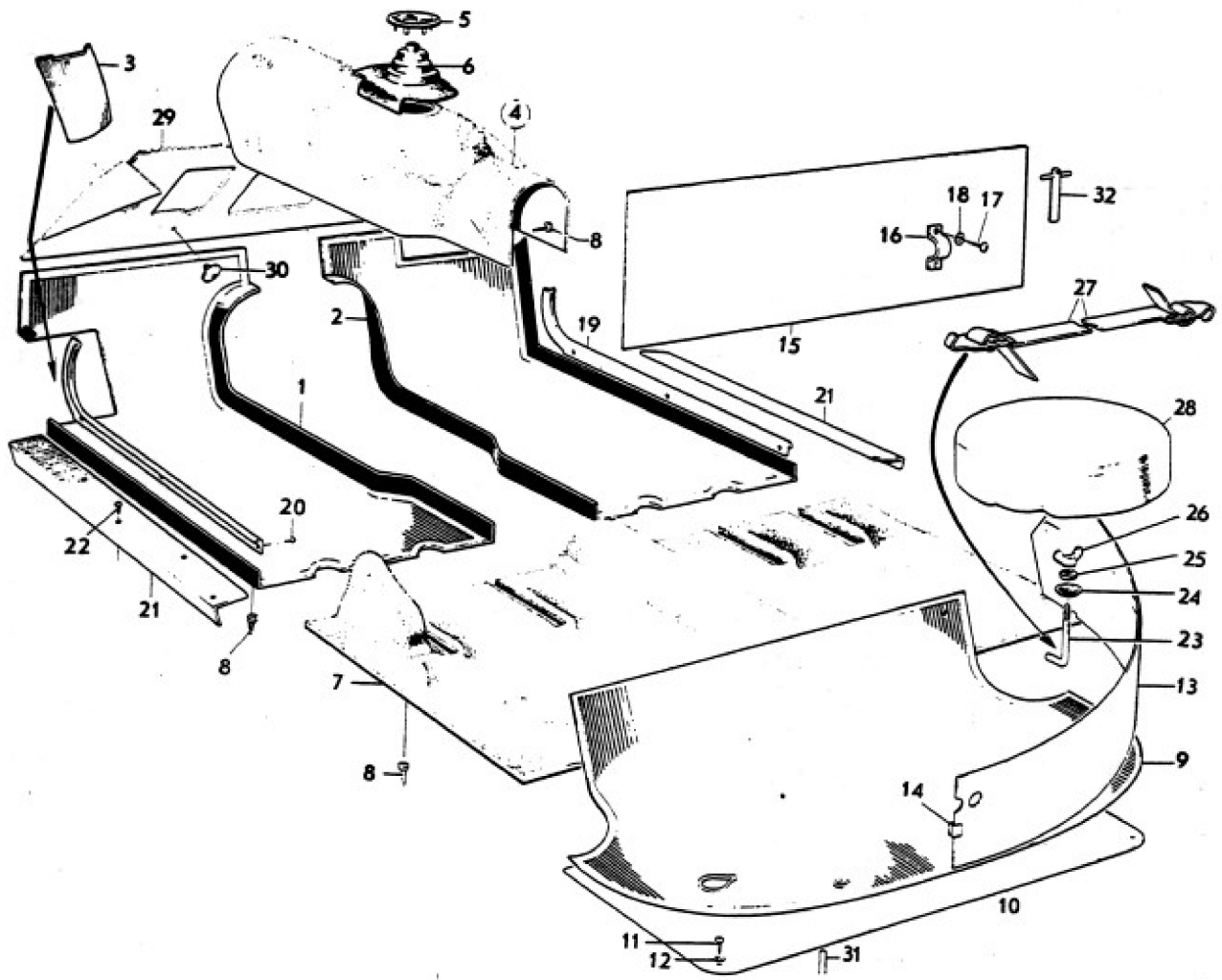
Sida	Grupp	Golvbeklädnad			Floor coverings	Illustration	Utgåva		
54	8	182. 183 CH -3069.			182. 183 CH -3069.		4		
Page	Group					9296 Issue			
Pos. Fig.	Antal/Quantity			Detalj nr Part No	Benämning	Description	Sats Kit	Anmärkning Notes	
	1	-	-	-	693290-9 Matta	Mat		KOMB 328	010
	1	-	-	-	693288-3 Matta	Mat		KOMB 329. 182 CH -32799.	020
	1	-	-	-	694285-8 Matta	Mat		KOMB 329. 182 CH 32800-	030
	1	-	-	-	693291-7 Matta	Mat		KOMB 330. 182 CH -32799.	040
	1	-	-	-	694290-8 Matta	Mat		KOMB 330. 182 CH 32800-	050
	1	-	-	-	693289-1 Matta	Mat		KOMB 331, 335	060
	1	-	-	-	693292-5 Matta	Mat		KOMB 332, 336	070
	1	-	-	-	694286-6 Matta	Mat		ERS AV 697173-3	071
	1	-	-	-	694291-6 Matta	Mat		KOMB 337, 339	080
	1	-	-	-	694287-4 Matta	Mat		KOMB 338, 340	090
	1	-	-	-	694292-4 Matta	Mat		KOMB 341, 343	100
	1	-	-	-	694292-4 Matta	Mat		ERS AV 697170-9	110
	1	-	-	-	697169-1 Matta	Mat		KOMB 342, 344	111
	1	-	-	-	697172-5 Matta	Mat		ERS AV 1 ST 697173-3	120
	1	-	-	-	697170-9 Matta	Mat		KOMB 345, 440	130
	1	-	-	-	697173-3 Matta	Mat		KOMB 346, 441	140
	1	-	-	-	695917-5 Matta	Mat		KOMB 347, 351, 442, 446	150
	1	-	-	-	695920-9 Matta	Mat		KOMB 348, 352, 443, 447	160
8	23	-	-	-	94942-0 Fäste	Anchorage	3	KOMB 353, 448	170
9	1	-	-	-	684491-4 Matta	Mat		KOMB 354, 449	180
10	1	-	-	-	664896-8 Panel	Panel		182	190
11	4	-	-	-	955119-3 Skruv	Screw	0	182	200
12	4	-	-	-	955891-7 Bricka	Washer	0	182	210
13	1	-	-	-	670288-0 Panel, V	Panel, L		182	220
	1	-	-	-	686586-9 Panel, V	Panel, L		182 CH -30000	230
	1	-	-	-	670289-8 Panel, H	Panel, R		182 CH 30001-	240
	1	-	-	-	683661-3 Panel, H	Panel, R		182 CH -30000	250
14	2	-	-	-	663035-4 Klammer	Clamp		182 CH 30001-	260
15	1	-	-	-	668508-5 Verktygshållare	Tool holder	8	182	270
16	2	-	-	-	955122-7 Skruv	Screw	0	182 (665686)	280
17	2	-	-	-	955891-7 Bricka	Washer	0	182	290
18	2	-	-	-	664609-5 Tröskelplåt, V	Sill plate, L	4	182	300
19	1	-	-	-	664610-3 Tröskelplåt, H	Sill plate, R	4	182	310
	2	-	-	-	192318-4 Skruv	Screw	0	182 CH -38384.	320
20	6	-	-	-	664709-3 Tröskelplåt	Sill plate	4	ERS AV 685866-6	321
21	2	-	-	-	192318-4 Skruv	Screw	0	182 CH -38384	330
22	10	-	-	-	192318-4 Skruv	Screw	0	182 CH 38385-, 183	340
	6	-	-	-	668243-9 Hakskruv	Screw	0	TID UTF	350
23	1	-	-	-	96634-1 Bricka	Washer	0	SEN UTF	360
24	1	-	-	-	82430-0 Gummibricka	Rubber washer	0	182 CH -30000	365
25	1	-	-	-	666135-9 Vingmutter	Butterfly nut	0	182 CH -30000	370
26	1	-	-	-	679199-0 Spännrem	Tensioner strap		182 CH -30000	390
27	1	-	-	-	694481-3 Kåpa	Casing		182 CH -30000	400
28	1	-	-	-	687765-8 Matta	Mat		182	410
29	1	-	-	-	687766-6 Matta	Mat		VST (691587)	420
	1	-	-	-	671261-6 Gummipropp	Rubber plug		HST (691588)	440
30	2	-	-	-	941406-1 Plastslang	Plastic hose			460
31	500	-	-	-	668411-2 Vingmutter	Butterfly nut			470
32	1	-	-	-					480
									490



VOLVO
KA9296



Sida	Grupp	Golvbeklädnad			Floor coverings		Illustration	Utgåva		
Page	56a	182. 183 CH -3069.			182. 183 CH -3069.			1		
Pos.	Antal/Quantity				Detalj nr	Benämning	Description	Sats	Anmärkning	
Fig.					Part No			Kit	Notes	
33	1	-	-	-	696005-8	Matta	Mat		KOMB 345, 346, 440, 441	010
	1	-	-	-	696006-6	Matta	Mat		KOMB 347, 348, 351, 352, 442, 443, 446, 447	011
	1	-	-	-	696008-2	Matta	Mat		KOMB 353, 354, 448, 449	012
	1	-	-	-	1221257-7	Kåpa, säkerhetsbälte	Casing, safety belt		182 USA, CAN CH 38810-	013
									183 USA, CAN CH 939-	014
34	1	-	-	-	694305-4	Matta, mitre	Mat, middle		KOMB 440, 441	015
	1	-	-	-	694306-2	Matta, mitre	Mat, middle		KOMB 442, 443, 446, 447	016
	1	-	-	-	694309-6	Matta, mitre	Mat, middle		KOMB 448, 449	017
35	1	-	-	-	695856-5	Matta, V	Mat, L		KOMB 440, 441	018
	1	-	-	-	695934-0	Matta, V	Mat, L		KOMB 442, 443, 446, 447	019
	1	-	-	-	695938-1	Matta, V	Mat, L		KOMB 448, 449	020
36	1	-	-	-	695857-3	Matta, H	Mat, R		KOMB 440, 441	021
	1	-	-	-	695935-7	Matta, H	Mat, R		KOMB 442, 443, 446, 447	022
	1	-	-	-	695939-9	Matta, H	Mat, R		KOMB 448, 449	023
37	1	-	-	-	695858-1	Matta	Mat		KOMB 440, 441, 442, 443, 446, 447, 448, 449	024
										025
38	2	-	-	-	683420-4	Golvplatta	Floor plate		183	026
39	24	-	-	-	955120-1	Skruv	Screw	0	183	060
40	8	-	-	-	678491-2	Klamma	Clamp		183	070
41	1	-	-	-	683421-2	Golvlucka	Floor shutter		183	080
42	2	-	-	-	678491-2	Klamma	Clamp		183	090
43	6	-	-	-	955120-1	Skruv	Screw	0	183	100
44	1	-	-	-	685624-9	Stöd	Support		183	110
45	2	-	-	-	955118-5	Skruv	Screw	0	183	120
46	12	-	-	-	955154-0	Skruv	Screw	0	183	130



VOLVO
KA9296



Sida	Grupp	Golvbeklädnad			Floor coverings		Illustration	Utgåva		
56c	8	183 CH 3070-			183 CH 3070-			2		
Page	Group						10599 Issue			
Pos. Fig.	Antal/Quantity				Detalj nr Part No	Benämning	Description	Sats Kit	Anmärkning Notes	
1	1	-	-	-	696374-8	Matta, V	Mat, L	3	KOMB 450, 456	010
	1	-	-	-	696379-7	Matta, V	Mat, L	3	KOMB 451, 457	020
	1	-	-	-	696681-6	Matta, V	Mat, L	3	KOMB 452	030
	1	-	-	-	696687-3	Matta, V	Mat, L	3	KOMB 453	040
	1	-	-	-	696682-4	Matta, V	Mat, L		KOMB 454, 458, 460	050
	1	-	-	-	696688-1	Matta, V	Mat, L	3	KOMB 455, 459, 461	060
2	1	-	-	-	696375-5	Matta, H	Mat, R	3	KOMB 450, 456	070
	1	-	-	-	696380-5	Matta, H	Mat, R	3	KOMB 451, 457	080
	1	-	-	-	696683-2	Matta, H	Mat, R	3	KOMB 452	090
	1	-	-	-	696689-9	Matta, H	Mat, R	3	KOMB 453	100
	1	-	-	-	696684-0	Matta, H	Mat, R	3	KOMB 454, 458, 460	110
	1	-	-	-	696690-7	Matta, H	Mat, R	3	KOMB 455, 459, 461	120
3	1	-	-	-	696382-1	Matta	Mat	3	KOMB 450, 451, 456, 457	130
	1	-	-	-	696693-1	Matta	Mat	3	KOMB 452, 453	140
	1	-	-	-	696694-9	Matta	Mat	3	KOMB 454, 455, 458, 459, 460, 461	150
4	-	-	-	-		Gummikåpa	Rubber casing		SE GRUPP 4	170
5	1	-	-	-	696378-9	Matta	Mat		KOMB 450, 456	180
	1	-	-	-	696381-3	Matta	Mat		KOMB 451, 457	190
	1	-	-	-	696685-7	Matta	Mat		KOMB 452	200
	1	-	-	-	696691-5	Matta	Mat		KOMB 453	210
	1	-	-	-	696686-5	Matta	Mat		KOMB 454, 458, 460	220
	1	-	-	-	696692-3	Matta	Mat		KOMB 455, 459, 461	230
6	23	-	-	-	94942-0	Fäste	Anchorage			240
7	2	-	-	-	685866-6	Tröskelplåt	Sill plate			250
8	6	-	-	-	192318-4	Skruv	Screw	0		260
9	2	-	-	-	664709-3	Tröskelplåt	Sill plate	4		270
10	6	-	-	-	192318-4	Skruv	Screw	0		280
11	1	-	-	-	679199-0	Spännrem	Tensioner strap			290
12	1	-	-	-	687765-8	Matta	Mat		VST	300
	1	-	-	-	687766-6	Matta	Mat		HST	310
13	2	-	-	-	671261-6	Gummipropp	Rubber plug			320
14	1	-	-	-	696352-4	Matta	Mat		KOMB 450, 451, 456, 457	330
	1	-	-	-	696713-7	Matta	Mat		KOMB 452, 453	340
	1	-	-	-	696714-5	Matta	Mat		KOMB 454, 455, 458, 459, 460, 461	350
14a	1	-	-	-	1221257-7	Kåpa	Casing		USA, CAN	360
14b	4	-	-	-	955129-2	Skruv	Screw		USA, CAN	362
14c	4	-	-	-	940090-4	Bricka	Washer		USA, CAN	363
15	1	-	-	-	696384-7	Matta, mittre	Mat, middle		KOMB 450, 451, 456, 457	370
	1	-	-	-	696695-6	Matta, mittre	Mat, middle		KOMB 452, 453	380
	1	-	-	-	696696-4	Matta, mittre	Mat, middle		KOMB 454, 455, 458, 459, 460, 461	390
16	1	-	-	-	696385-4	Matta, V	Mat, L		KOMB 450, 451, 456, 457	410
	1	-	-	-	696697-2	Matta, V	Mat, L		KOMB 452, 453	420
	1	-	-	-	696698-0	Matta, V	Mat, L		KOMB 454, 455, 458, 459, 460, 461	430
17	1	-	-	-	696386-2	Matta, H	Mat, R		KOMB 450, 451, 456, 457	450
	1	-	-	-	696699-8	Matta, H	Mat, R		KOMB 452, 453	460
	1	-	-	-	696700-4	Matta, H	Mat, R		KOMB 454, 455, 458, 459, 460, 461	470
18	1	-	-	-	695858-1	Matta	Mat			480
19	2	-	-	-	683420-4	Golvplatta	Floor plate			490
20	24	-	-	-	955120-1	Skruv	Screw	0		500
21	8	-	-	-	678491-2	Klammer	Clamp	0		510
22	1	-	-	-	683421-2	Golvlucka	Floor shutter			520
23	2	-	-	-	678491-2	Klammer	Clamp			530
24	6	-	-	-	955120-1	Skruv	Screw	0		540
25	1	-	-	-	685624-9	Stöd	Support			550
26	2	-	-	-	955118-5	Skruv	Screw	0		560
27	12	-	-	-	955154-0	Skruv	Screw	0		570
28	500	-	-	-	941406-1	Plastslang	Plastic hose	0		580
										590