

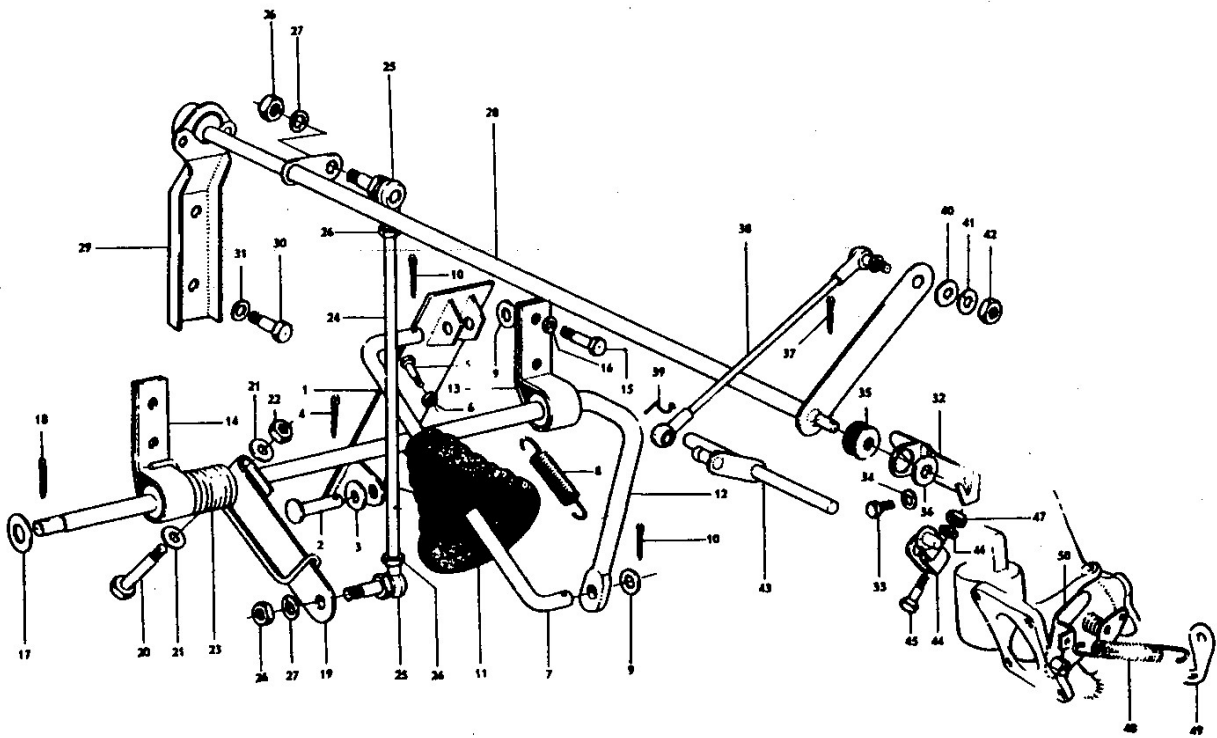
VOLVO  
KA 2059

Pos Fig.	Antal Qty.	Benämning	Description	Del. nr Part No.	Anmärkning Notes
1	1	Gaspedal .....	Accelerator pedal .....	665670-6	<del>665299-</del>
2	1	Saxpinnebult .....	Clevis pin .....	668095-3	<del>90762-</del>
3	1	Bricka .....	Washer .....	955893-3	
4	1	Saxpinne .....	Split pin .....	907819-7	
5	1	Stoppskruv .....	Set screw .....	940330-4	
6	1	Låsmutter .....	Lock nut .....	955847-9	
7	1	Reglerstång .....	Control rod .....	665553-4	
8	1	Fjäder .....	Spring .....	666921-2	
9	2	Bricka .....	Washer .....	955894-1	
10	2	Saxpinne .....	Split pin .....	907834-6	
11	1	Dammskydd .....	Dust cover .....	653218-8	
12	1	Axel .....	Shaft .....	665549-2	
13	1	Konsol, V .....	Bracket, L .....	665554-2	
14	1	Konsol, H .....	Bracket, R .....	665555-9	
15	4	Skruv .....	Screw .....	955637-4	
16	4	Fjäderbricka .....	Spring washer .....	955920-4	
17	1	Bricka .....	Washer .....	940097-9	
18	1	Saxpinne .....	Split pin .....	907834-6	
19	1	Hävarm .....	Lever .....	667518-5	<del>665550-</del>
20	1	Skruv .....	Bolt .....	955640-8	
21	2	Bricka .....	Washer .....	955893-3	
22	1	Mutter .....	Nut .....	955846-1	
23	1	Returfjäder .....	Return spring .....	667524-3	
24	1	Reglerstång .....	Control rod .....	665559-1	
25	2	Kulled .....	Ball joint .....	665563-3	
26	4	Mutter .....	Nut .....	955844-6	
27	2	Fjäderbricka .....	Spring washer .....	955918-8	
28	1	Axel .....	Shaft .....	665548-4	2)
29	1	Konsol .....	Bracket .....	665551-8	3)
30	2	Skruv .....	Bolt .....	955637-4	
31	2	Fjäderbricka .....	Spring washer .....	955920-4	
32	1	Fäste .....	Anchorage .....	418506-2	
33	2	Skruv .....	Bolt .....	955512-2	
34	2	Låsbricka .....	Lock washer .....	940155-5	
35	1	Bussning .....	Bushing .....	663304-4	Ch-482
	1	Bussning .....	Bushing .....	666143-3	Ch 483-
36	1	Bricka .....	Washer .....	192290-5	Ch-482 <del>120085-</del>
	1	Bricka .....	Washer .....	192369-7	Ch 483-
37	1	Saxpinne .....	Split pin .....	907834-6	
38	1	Reglerstång .....	Control rod .....	663534-6	
39	1	Bygel .....	Brace .....	959093-8	
40	1	Bricka .....	Washer .....	940090-4	
41	1	Fjäderbricka .....	Spring washer .....	955918-8	
42	1	Mutter .....	Nut .....	955780-2	

1. Ch-9999.
2. Vid byte av axel på ch 1-482 skall samtidigt monteras bussning 666143-3 och bricka 192369-7.  
With replacement of shaft on ch 1-482, bushing 666143-3 and washer 192369-7 must be fitted simultaneously  
Lors du remplacement d'essieu sur ch 1-482, la douille 666143-3 et la rondelle 192369-7 doivent être montées.  
Beim Austausch der Stange bei Fahrgestell 1-482 sollen gleichzeitig Buchse 666143-3 und Scheibe 192369-7 eingebaut werden.  
Al cambiarse eje en el ch 1-482, se debe al mismo tiempo cambiar el buje 666143-3 y la arandela 192369-7.
3. Ers. av 1 st 671759-9, 1 st 671760-7.

Grupp Group		2d		<b>P 180 (B18)</b>		<b>VOLVO</b> Reservdelskatalog Parts catalogue	
Sida Page	4	Utgåva Issue	6	Gasreglage, Vst <sup>1)</sup>		Throttle linkage, LHD <sup>1)</sup>	
Pos Fig.	Antal Qty.	Benämning		Description		Del. nr Part No.	Anmärkning Notes
43	1	Mellanaxel .....		Intermediary shaft .....		418449-5	
	1	Hävarm, främre .....		Lever, forward .....		668558-0	<del>237126</del>
44	1	Hävarm, bakre .....		Lever, rear .....		668559-8	<del>237127</del>
45	2	. Skruv .....		. Screw .....		106836-0	<del>191038</del>
46	2	. Bricka .....		. Washer .....		237177-1	<del>940090</del>
47	2	. Mutter .....		. Nut .....		237176-3	<del>940092</del>
48	2	Returfjäder .....		Return spring .....		418963-5	
49	2	Fäste .....		Anchorage .....		418697-9	
50	1	Hävarm .....		Lever .....		237110-2	Alt. se grupp 2c
	1	Hävarm .....		Lever .....		237111-0	

1. Ch - 9999.



Grupp Group		2d		P 180 (B18)			VOLVO Reservdelskatalog Parts catalogue
Sida Page	6	Utgåva Issue	9	Gasreglage, Vst <sup>1)</sup> Hst	Throttle linkage, LHD <sup>1)</sup> RHD		
Pos Fig.	Antal Qty.	Vst <sup>1)</sup>	Hst	Benämning	Description	Del. nr Part No.	
1	1	1		Gaspedal .....	Accelerator pedal .....	661996-9	
2	2	2		Skruv .....	Screw .....	955140-9	
3	1			Axel .....	Shaft .....	667232-3	
4	1			Axel .....	Shaft .....	666543-4	
5	1	1		Lager .....	Bearing .....	662734-3	
6	2	2		Skruv .....	Screw .....	955636-6	
7	2	2		Fjäderbricka .....	Spring washer .....	955920-4	
8	1	1		Ställskruv .....	Set screw .....	663422-4	
9	1	1		Gummibussning .....	Rubber bushing .....	663052-9	
10	1	1		Reglerstång .....	Control rod .....	191046-2	2)
	1	1		Reglerstång .....	Control rod .....	942412-8	3)
11	2	2		Kulskål .....	Ball shell .....	959088-6	<del>191650</del>
12	2	2		Bygel .....	Brace .....	959093-6	<del>191764</del>
13	4	4		Mutter .....	Nut .....	955780-2	
14	1	1		Axel .....	Shaft .....	662006-6	2)
	1	1		Axel .....	Shaft .....	671950-4	3) UAR
	1	1		Axel .....	Shaft .....	673015-4	3) MAR
15	1	1		Konsol .....	Bracket .....	661966-2	2)
	1	1		Konsol .....	Bracket .....	672010-6	3)
16	2	2		Skruv .....	Screw .....	955637-4	
17	2	2		Bricka .....	Washer .....	955893-3	
18	2	2		Fjäderbricka .....	Spring washer .....	955920-4	
19	1	1		Justerbricka .....	Adjuster washer .....	666545-9	
20	1	1		Fäste .....	Anchorage .....	418506-2	4) UAR
	1	1		Fäste .....	Anchorage .....	419338-9	5) UAR
	1	1		Fäste .....	Anchorage .....	419570-7	MAR
21	2	2		Skruv .....	Screw .....	955512-2	UAR
	2	2		Skruv .....	Screw .....	956552-4	MAR
22	2	2		Låsbricka .....	Lock washer .....	940155-5	
23	2	2		Bussning .....	Bushing .....	666143-3	
24	1	1		Bricka .....	Washer .....	192369-7	
25	1	1		Saxpinne .....	Split pin .....	907824-7	
26	1	1		Reglerstång .....	Control rod .....	191203-9	UAR
	1	1		Reglerstång .....	Control rod .....	942988-7	MAR
27	2	2		Kulskål .....	Ball shell .....	959088-6	<del>191650</del>
28	2	2		Bygel .....	Brace .....	959093-6	<del>191764</del>
29	4	4		Mutter .....	Nut .....	955780-2	
30	1	1		Mellanaxel .....	Intermediary shaft .....	418449-5	2)
	1	1		Mellanaxel .....	Intermediary shaft .....	419575-6	3)
31	1	1		Hävam, främre .....	Lever, forward .....	668558-0	
	1	1		Hävam, bakre .....	Lever, rear .....	668559-8	
32	2	2		Skruv .....	Screw .....	106836-0	
33	2	2		Mutter .....	Nut .....	237176-3	
34	2	2		Bricka .....	Washer .....	237177-1	
35	2	2		Returfjäder .....	Spring washer .....	418963-5	
36	2	2		Fäste .....	Anchorage .....	419416-3	
37	1	1		Hävam .....	Lever .....	237110-2	
	1	1		Hävam .....	Lever .....	237111-0	Alt. se grupp 2c

1. Ch 10000-  
2. Ch 10000-16499.  
3. Ch 16500-

4. B18 (496800, 496812, 496817).  
5. B18 (496819).

