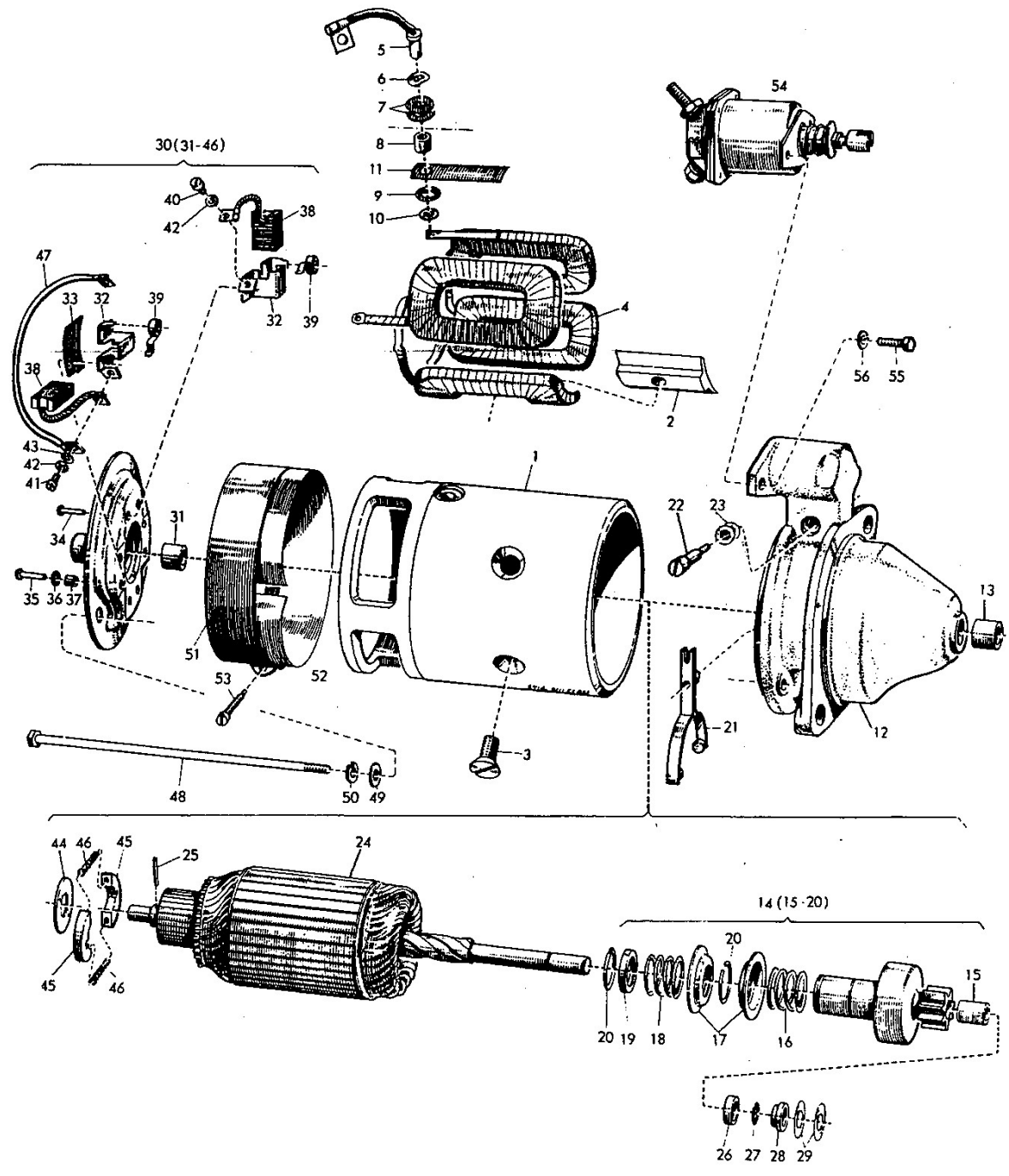


<b>VOLVO</b> Reservdelkatalog Parts catalogue	<b>P 180(B18)</b>		Grupp Group	10
	Startmotor	238620	Starter motor	Utgåva Issue
			Sida Page	13



Grupp Group		10		P 180 (B18)			VOLVO	
Sida Page		Utgåva Issue		Startmotor	238620	Starter motor	Reservdelskatalog Parts catalogue	
Pos Fig.	Antal Qty.	Benämning	Description	Def. nr Part No. Volvo	Def. nr Part No. Bosch			
	1	Startmotor .....	Starter motor .....	238620-9	EGD 1/12 AR 37 <sup>1)</sup>	0 001 305 016		
1		. Polhus .....	. Yoke .....	SES	SES	SES		
2		. Polsko .....	. Pole terminal .....	SES	SES	SES		
3	4	. Skruv .....	. Screw .....	190888-8	NSR 5576/22	2 910 551 284		
4	1	. Fältlindning, spole 1-4 .	. Field winding, coils 1-4 .	233863-0	DWC 107 L 31	1 004 113 004		
5	1	. Anslutning .....	. Connector .....	238809-8	ALEA 26 sort 6	1 007 011 520		
6	1	. Fjäderbricka .....	. Lock washer .....	233865-5	WMS 706 L 8	1 000 550 000		
7	2	. Isolerbricka .....	. Insulating washer .....	238811-4	WNS 16 L 73	1 000 112 001		
8	1	. Isolerbussning .....	. Insulating bushing .....	18198-2	WNB 541/15	1 000 307 006		
9	1	. Isolerbricka .....	. Insulating washer .....	120651-5	WNS 15 L 7	1 000 111 000		
10	1	. Bricka .....	. Washer .....	238810-6	WMS 25 L 40	1 000 101 001		
11	1	. Isolerremsa .....	. Insulating strip .....	72471-6	WNT 533/1	1 001 031 005		
12	1	. Drivlager .....	. Driving end bearing .....	238812-2	ALLG 46 L 8	1 005 823 166		
13	1	. Lagerbussning .....	. Bearing bushing .....	238813-0	WMB 50 L 21	1 000 301 011		
14	1	. Startmotordrev .....	. Drive with pinion .....	238824-7	1 006 209 017	1 006 209 017		
15	2	. Bussning .....	. Bearing bushing .....	240620-5	WMB 50 L 19	1 000 301 009		
16	1	. Fjäder .....	. Spring .....	<del>233815-0</del>	WSF 11 L 54	1 004 616 003		
17	2	. Styryhlsa .....	. Guide ring .....	<del>238826-2</del>	ALMR 68 L 3	1 000 500 002		
18	1	. Fjäder .....	. Spring .....	<del>238827-0</del>	WSF 11 L 52	1 004 616 001		
19	1	. Stödring .....	. Retaining ring .....	<del>48058-2</del>	DMR 54/2	2 009 999 039		
20	2	. Fjäderring .....	. Spring ring .....	<del>48060-8</del>	WMR 602/5	1 004 601 005		
21	1	. Kopplingsarm .....	. Engaging lever .....	76595-8	DHE 31/1	1 001 933 001		
22	1	. Bult .....	. Bolt .....	76596-6	ALSR 6 L 1	1 003 413 005		
23		. Justerbricka,	. Adjuster washer,					
	erf	. tj. = 0,1 .....	. Th. = 0.1 .....	120649-9	WMS 100/40	1 140 100 601		
	erf	. tj. = 0,3 .....	. Th. = 0.3 .....	238834-6	WMS 100/43	1 230 100 633		
24	1	. Rotor .....	. Rotor .....	238818-9	ALAN 21 L 5	1 004 003 116		
25	1	. Stift .....	. Pin .....	131015-0	WST 512/15	1 003 101 005		
26	1	. Anslagsring .....	. Stop ring .....	238819-7	ALMR 5 E 9	2 000 202 030		
27	1	. Fjäderring .....	. Spring ring .....	238820-5	WMR 61 E 5	2 004 601 004		
28	1	. Anslagsring .....	. Stop ring .....	238821-3	ALMR 78 E 1	2 000 220 050		
29		. Justerbricka,	. Adjuster washer,					
	erf	. tj. = 0,3 .....	. Th. = 0.3 .....	238823-9	WMS 25 E 28	2 000 101 006		
	erf	. tj. = 1,0 .....	. Th. = 1.0 .....	238822-1	WMS 25 E 29	2 000 101 007		
30	1	. Kommutatorlager .....	. Commutator end bearing .	238814-8	ALLG 40 L 3	1 005 853 352		
31	1	. Lagerbussning .....	. Bearing bushing .....	76603-0	WMB 651/35	1 000 301 042		
32	4	. Borsthållare .....	. Brush holder .....	76598-2	ALSA 7 L 2	1 001 323 001		
33	2	. Isolerplatta .....	. Insulating plate .....	233871-3	WPT 80 L 17	1 000 026 000		
34	4	. Nit .....	. Rivet .....	<del>238816-3</del>	WNJ 18 L 1	1 003 132 001		
35	4	. Nit .....	. Rivet .....	<del>238815-5</del>	WNJ 18 L 2	1 193 132 005		
36	4	. Isolerbussning .....	. Insulating bushing .....	120654-9	WNB 578/107	1 000 308 006		
37	4	. Isolerbricka .....	. Insulating washer .....	48492-3	NNS 101/4	1 900 112 203		
38	1	. Elborstsats .....	. Carbon brush set .....	233679-0	WSK 19 sort 1	1 107 014 110		
39	4	. Borstfjäder .....	. Brush spring .....	238817-1	WSF 40 L 2	1 004 652 000		
40	2	. Skruv .....	. Screw .....	956058-2	NSR 5262/9	2 910 021 116		
41	2	. Skruv .....	. Screw .....	956059-0	NSR 5262/13	2 910 021 118		
42	4	. Fjäderbricka .....	. Lock washer .....	955917-0	NMS 440/3	2 916 690 003		

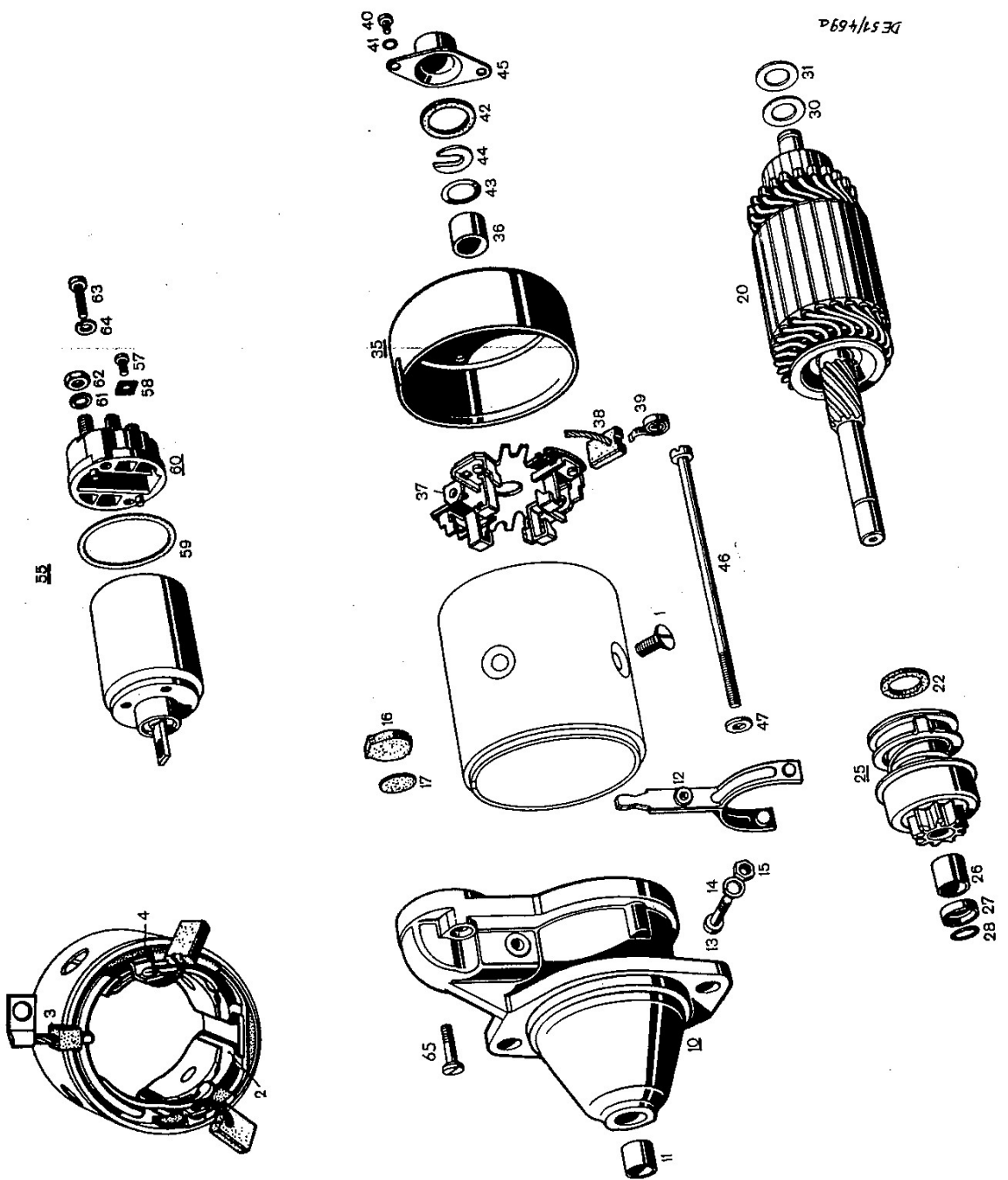
1) Ers av: 1 st. 240360-8.

Grupp Group		10		P 180 (B18)			VOLVO Reservdelskatalog Parts catalogue	
Sida Page	14	Utgåva Issue	5	Startmotor	238620	Starter motor		
Pos Fig.	Antal Qty.	Benämning	Description	Def. nr Part No. Volvo	Def. nr Part No. Bosch			
43	4	. . Bricka	. . Washer	S 25407-8	NMS 8/1	2 916 011 009		
44	1	. . Bricka	. . Washer	S 120648-1	WMS 552/86	1 000 101 020		
45	2	. . Bromsback	. . Brake shoe	S 76604-8	DNF 20/1	1 000 026 011		
46	2	. . Fjäder	. . Spring	S 76605-5	WSF 650/57	1 004 611 000		
47	1	. Anslutningsledning	. Connecting cable	233872-1	WEA 176 L 1	1 004 446 000		
48	2	. Skruv	. Screw	25687-5	1 003 410 004	1 003 410 004		
49	2	. Bricka	. Washer	S 86287-0	WMS 519/23	1 190 100 029		
50	2	. Fjäderbricka	. Spring washer	S 955919-6	NMS 440/5	2 916 693 005		
51	1	. Skyddsband	. Cover band	76606-3	DVU 9/2	1 001 316 011		
52	1	. Isolerremsa	. Insulating strip	76607-1	WBA 504 L 400	1 001 007 003		
53	1	. Skruv	. Screw	S 25651-1	WSR 567/1	1 103 412 001		
54	1	. Manövermagnet	. Solenoid switch	238830-4	SSM 120 L 39	0 331 300 025		
		. . Det, se sida 18	. . Components, see page 18					
55	2	. Fästskruv	. Fixing screw	S 955270-4	NSR 5368/44	2 911 061 196		
56	2	. Fjäderbricka	. Lock washer	S 955919-6	NMS 440/5	2 916 693 005		
	1	Reparationsatts (innehåller pos. nr 3, 6-11, 23, 40-44, 46, 49, 50, 53, 55, 56)	Parts set (consisting of figs. nos. 3, 6-11, 23, 40-44, 46, 49, 50, 53, 55, 56)	239416-1	S 69	9 001 240 037		
	1	Reparationsatts (innehåller pos. nr 6-11) Ch-14044, Excl 14006- 14007, 14018-14021, 14030- 14031.	Parts set (consisting of figs. nos. 6-11) Ch-14044, Excl 14006-14007, 14018-14021, 14030-14031.	273046-3	—	—		
	1	Reparationsatts (innehåller pos. nr 32, 33 36, 37) Ch-14044, Excl 14006-14007, 14018-14021, 14030-14031.	Parts set (consisting of figs. nos. 32, 33, 36, 37) Ch-14044, Excl 14006-14007, 14018-14021, 14030-14031.	273047-1	—	—		
	1	Reparationsatts (innehåller pos. nr 25, 44- 46) Ch-14044, Excl 14006- 14007, 14018-14021, 14030- 14031.	Parts set (consisting of figs. nos. 25, 44-46) Ch-14044, Excl 14006- 14007, 14018-14021, 14030- 14031.	273048-9	—	—		



Grupp Group		10		P 180 (B18)			VOLVO	
Sida Page	16	Utgåva Issue	3	Startmotor	240360	Starter motor	Reservdelskatalog Parts catalogue	
Pos Fig.	Antal Qty.	Benämning	Description	Def. nr Part No. Volvo	Def. nr Part No. Bosch			
	1	Startmotor .....	Starter motor .....	240360-8	0 001 311 001		0 001 311 001	
1	4	. Skruv .....	. Screw .....	240594-4	NSR 5576/19		2 910 550 281	
2	1	. Fältlindning, spole 1-4 .	. Field winding, coils 1-4 .	240595-9	1 004 113 502		1 004 113 502	
3	1	. Kabelgenomföring .....	. Grommet .....	240597-5	ALNB 5 L 2		1 002 380 000	
4	1	. Isolerremsa .....	. Insulating strip .....	240730-2	ALNT 1 L 1		1 002 382 000	
erf		. Isolerremsa .....	. Insulating strip .....	240596-7	ALNT 1 L 2		1 001 007 050	
10	1	. Drivlager .....	. Drive end bearing .....	240598-3	1 005 823 183		1 005 823 183	
11	1	. Lagerbussning .....	. Bearing bushing .....	238813-0	WMB 50 L 21		1 000 301 011	
12	1	. Kopplingsarm .....	. Engaging lever .....	241305-2	1 001 933 070		1 001 933 070	
13	1	. Skruv .....	. Screw .....	240622-1	WSR 30 L 38		1 003 410 003	
14	1	. Fjäderbricka .....	. Spring washer .....	955919-6	NMS 440/5		2 916 693 005	
15	1	. Mutter .....	. Nut .....	955781-0	NMU 2056/1		2 915 051 106	
16	1	. Packning .....	. Gasket .....	240599-1	ALNF 5 L 1		1 001 013 001	
7	1	. Platta .....	. Plate .....	240600-7	WPT 10 L 14		1 000 000 000	
20	1	. Rotor .....	. Rotor .....	240731-0	1 004 003 127		1 004 003 127	
22	1	. Packning .....	. Gasket .....	241306-0	WNS 13 J 48		1 000 206 001	
25	1	. Startmotordrev .....	. Drive with pinion .....	240619-7	1 006 209 047		1 006 209 047	
26	2	. Bussning .....	. Bushing .....	240620-5	WMB 50 L 19		1 000 301 009	
27	1	. Anslagsring .....	. Stop ring .....	238819-7	ALMR 5 E 9		2 000 202 030	
28	1	. Språngring .....	. Spring ring .....	240616-3	WMR 61 L 22		1 004 601 010	
30	1	. Bricka .....	. Washer .....	240617-1	WMS 25 L 43		1 000 101 003	
31	1	. Isolerbricka .....	. Insulating washer .....	240618-9	WNS 16 L 83		1 000 112 002	
35	1	. Kommutatorlager .....	. Commutator end bearing .	240601-5	1 005 853 385		1 005 853 385	
36	1	. Lagerbussning .....	. Bearing bushing .....	240602-3	WMB 50 L 7		1 000 301 001	
37	1	. Borsthållarplatta .....	. Brush holder plate .....	240603-1	1 004 336 005		1 004 336 005	
38	2	. Elborstsats .....	. Carbon brush set .....	240604-9	WSK 19 sort 8		1 007 014 114	
39	4	. Borstfjäder .....	. Brush spring .....	240605-6	WSF 40 L 5		1 004 652 002	
40	2	. Skruv .....	. Screw .....	956058-2	NSR 5262/9		2 910 021 116	
41	2	. Fjäderbricka .....	. Lock washer .....	239340-3	NMS 727/6		1 600 150 006	
42	1	. Packning .....	. Packing .....	240607-2	WNR 13 L 12		1 000 206 000	
43		. Justerbricka,	. Adjuster washer,					
erf		. tj. = 0,1 .....	. Th. = 0.1 .....	240609-8	WMS 552/30		1 000 101 016	
erf		. tj. = 0,2 .....	. Th. = 0.2 .....	240610-6	WMS 552/99		1 000 101 021	
erf		. tj. = 0,3 .....	. Th. = 0.3 .....	120657-2	WMS 552/31		1 000 101 017	
erf		. tj. = 0,5 .....	. Th. = 0.5 .....	240611-4	1 000 101 009		1 000 101 009	
erf		. tj. = 0,8 .....	. Th. = 0.8 .....	240612-2	WMS 25 L 49		1 100 101 005	
44	1	. Fixerbricka .....	. Setting washer .....	240608-0	ALMS 50 L 1		1 000 116 005	
45	1	. Skyddskåpa .....	. Protector casing .....	240606-4	ALMK 14 L 1		1 000 505 010	
46	2	. Skruv .....	. Screw .....	240613-0	WSR 30 L 37		1 003 410 002	
47	2	. Bricka .....	. Washer .....	240614-8	1 000 100 024		1 000 100 024	
55	1	. Manövermagnet .....	. Solenoid switch .....	240623-9	0 331 302 030		0 331 302 030	
57	1	. Skruv .....	. Screw .....	956059-0	NSR 5262/13		2 910 021 118	
58	1	. Underläggsplatta .....	. Plate .....	240499-4	NBE 28/4		1 901 321 203	
59		. Packning,	. Gasket,					
erf		. tj. = 0,5 .....	. Th. = 0.5 .....	240626-2	WNS 15 L 23		1 330 111 000	
erf		. tj. = 1,0 .....	. Th. = 1.0 .....	240627-0	WNS 15 L 24		1 330 111 001	
60	1	. Lock .....	. Switch cover .....	240624-7	SHDE 20 L 4		1 330 516 002	
61	3	. Fjäderbricka .....	. Spring washer .....	955918-8	NMS 440/6		2 916 693 007	
62	3	. Mutter .....	. Nut .....	955782-8	NMU 2057/1		2 915 051 107	
63	2	. Skruv .....	. Screw .....	956079-8	NSR 5264/27		2 910 021 162	
64	2	. Fjäderbricka .....	. Spring washer .....	955918-8	NMS 440/4		2 916 693 004	
65	2	. Skruv .....	. Screw .....	240628-8	WSR 50 L 12		1 003 421 000	

<b>VOLVO</b> Reservdelkatalog Parts catalogue	<b>P 180 (B18)</b>		Grupp Group 10
	Startmotor 240360	Starter motor	Utgåva Issue 3
			Sido Page 17



Grupp Group		10		P 180 (B18)			VOLVO	
Sida Page		Utgåva Issue		Manövermagnet	238830	Solenoid switch	Reservdelskatalog Parts catalogue	
Pos Fig.	Antal Qty.	Benämning	Description	Def. nr Part No. Volvo	Def. nr Part No. Bosch			
	1	Manövermagnet	Solenoid switch	238830-4	SSM 120 L 39	0 331 300 025		
1	1	. Anslutningsskruv	. Terminal screw	956059-0	NSR 5262/13	2 910 021 118		
2	1	. Fjäderbricka	. Spring washer	955917-0	NMS 440/3	2 916 690 003		
3	1	. Underläggsplatta	. Plate	<del>238229-9</del>	WPT 100 L 3	1 331 030 000		
4	1	. Ankare med axel	. Armature with shaft	<del>239341-1</del>	SAN 30 L 10	1 330 363 007		
5	1	. Packning	. Packing washer	<del>48814-8</del>	WNS 4/1	1 200 111 001		
6	1	. Fjäder	. Armature return spring	<del>239342-9</del>	WSF 650/84	1 334 616 015		
7	1	. Stödbricka	. Retaining disk	<del>239343-7</del>	SMS 48/1	1 330 100 001		
8	1	. Länkgaffel	. Link fork	<del>239344-5</del>	SHGK 3 L 2	1 332 121 001		
9	1	. Fjäderbricka	. Lock washer	<del>239345-2</del>	WMR 50 L 3	1 330 224 000		
10	1	. Mutter	. Nut	955781-0	NMU 2056/1	2 915 051 106		
11	1	. Justerbricka	. Shim	<del>239346-0</del>	WMS 552/36	1 330 100 030		
12	1	. Fjäder	. Spring	<del>239347-8</del>	WSF 650/78	1 334 612 005		
13	1	. Bricka	. Washer	<del>25261-9</del>	NMS 10/1	2 916 011 011		
14	1	. Isolerbusning	. Insulating bushing	<del>239348-6</del>	WNB 20 J 1	1 330 321 005		
15	1	. Kontaktskena	. Contact rail	<del>239349-4</del>	SKT 3/8	1 331 321 020		
16	1	. Isolerbricka	. Insulating washer	<del>239350-2</del>	WNS 539/58	1 330 112 020		
17	1	. Tallriksbricka	. Dished washer	<del>239351-0</del>	WMS 794/1	1 330 500 010		
18	1	. Låsbricka	. Retaining ring	<del>238531-8</del>	NMS 663/1	2 916 085 007		
19		. Packning,	. Gasket,					
	erf	. tj. = 0,2	. Th. = 0.2	<del>239352-8</del>	SHPT 222 L 1	1 331 015 010		
	erf	. tj. = 0,4	. Th. = 0.4	<del>239353-6</del>	SHPT 222 L 2	1 331 015 011		
	erf	. tj. = 0,6	. Th. = 0.6	<del>239354-4</del>	SHPT 222 L 3	1 331 015 012		
	erf	. tj. = 0,8	. Th. = 0.8	<del>239355-1</del>	SHPT 222 L 4	1 331 015 013		
20	1	. Lock	. Switch cover	<del>239356-9</del>	SHDE 6 L 26	1 330 520 143		
21	2	. Isolerplatta	. Insulating plate	<del>239357-7</del>	SHPT 64 L 7	1 331 008 014		
22a	1	. Kontaktbult, lång	. Contact bolt, long	<del>239358-5</del>	SHBO 40 L 1	1 333 149 040		
22b	1	. Kontaktbult, kort	. Contact bolt, short	<del>239359-3</del>	SHBO 40 L 8	1 333 149 047		
23		. Isolerplatta,	. Insulating plate,					
	erf	. tj. = 0,2	. Th. = 0.2	<del>239360-1</del>	SPT 285 L 11	1 331 031 000		
	erf	. tj. = 0,5	. Th. = 0.5	<del>239361-9</del>	SPT 285 L 12	1 331 031 001		
	2	. tj. = 2,0	. Th. = 2.0	<del>239362-7</del>	SPT 285, L 13	1 331 031 002		
24	2	. Isolerbricka	. Insulating washer	77587-4	WNS 568/5	1 330 121 000		
25	2	. Bricka	. Washer	<del>238831-2</del>	WMS 50 L 18	1 330 120 000		
26	1	. Låsbricka	. Tightening washer	<del>77586-6</del>	WMS 789/2	1 330 170 001		
27	3	. Fjäderbricka	. Spring washer	955921-2	NMS 440/6	2 916 693 007		
28	2	. Mutter	. Hexagon nut	955782-8	NMU 2057/1	2 915 051 107		
29	4	. Nit	. Rivet	<del>239363-5</del>	WNJ 16 L 2	1 333 132 005		
30	2	. Fästskruv	. Fixing screw	955270-4	NSR 5368/44	2 911 061 196		
31	2	. Fjäderbricka	. Spring washer	955919-6	NMS 440/5	2 916 693 005		

1. Ingår ej i manövermagnet, kmpl.  
Not included in solenoid switch, cpl.  
Ne fait pas partie de contacteur, complet.  
Gehört nicht zur Anlassmagnetschalter, komplett.  
No forma parte de solenoide de control, completo.

<b>VOLVO</b> Reservdelskatalog Parts catalogue	<b>P 180 (B18)</b>		Grupp Group 10	
	Manövermagnet	238830	Solenoid switch	Utgåva Issue 3

