

**Air
Conditioners
Parts
Catalog.**



Spare Parts Dept.

BULLETIN
Parts

Distribution Authorized Volvo Dealers

Issued by M. Duncan

Approved by M. Duncan

Concerning
NEW AIR CONDITIONER PARTS

Improvements have been introduced in the Volvo Air Conditioner and, as a result of these modifications, the following parts are new:

<u>Part No.</u>	<u>Description</u>	<u>Application</u>
75430	Drive Pulley	All Models
75505	* Evaporator Coil	140
75516	Hose Grommet	All Models
75517	Hose Grommet	" "
75518	Clutch Assy. 6.7"	" "
75519	Clutch Rotor 6.7"	" "
75520	Clutch Field 6.7"	" "
75521	Compressor Valve Kit	" "
75522	* Expansion Valve	140
75523	Knob	All Models
75524	Wire Harness, Relay	" "

* When replacing the evaporator coil in the earlier-type evaporator assembly, Part Number 75522 (expansion valve) must be fitted simultaneously with the new evaporator coil.

NOTE: Please discard Parts Bulletin Group 2, No. 7, dated 7-1-67, as this information has been included in the Accessory Brochure.

Postal Address
Volvo Western Distributing, Inc.
1955 190th Street
Torrance, California 90501

Telephone No.
770-1400

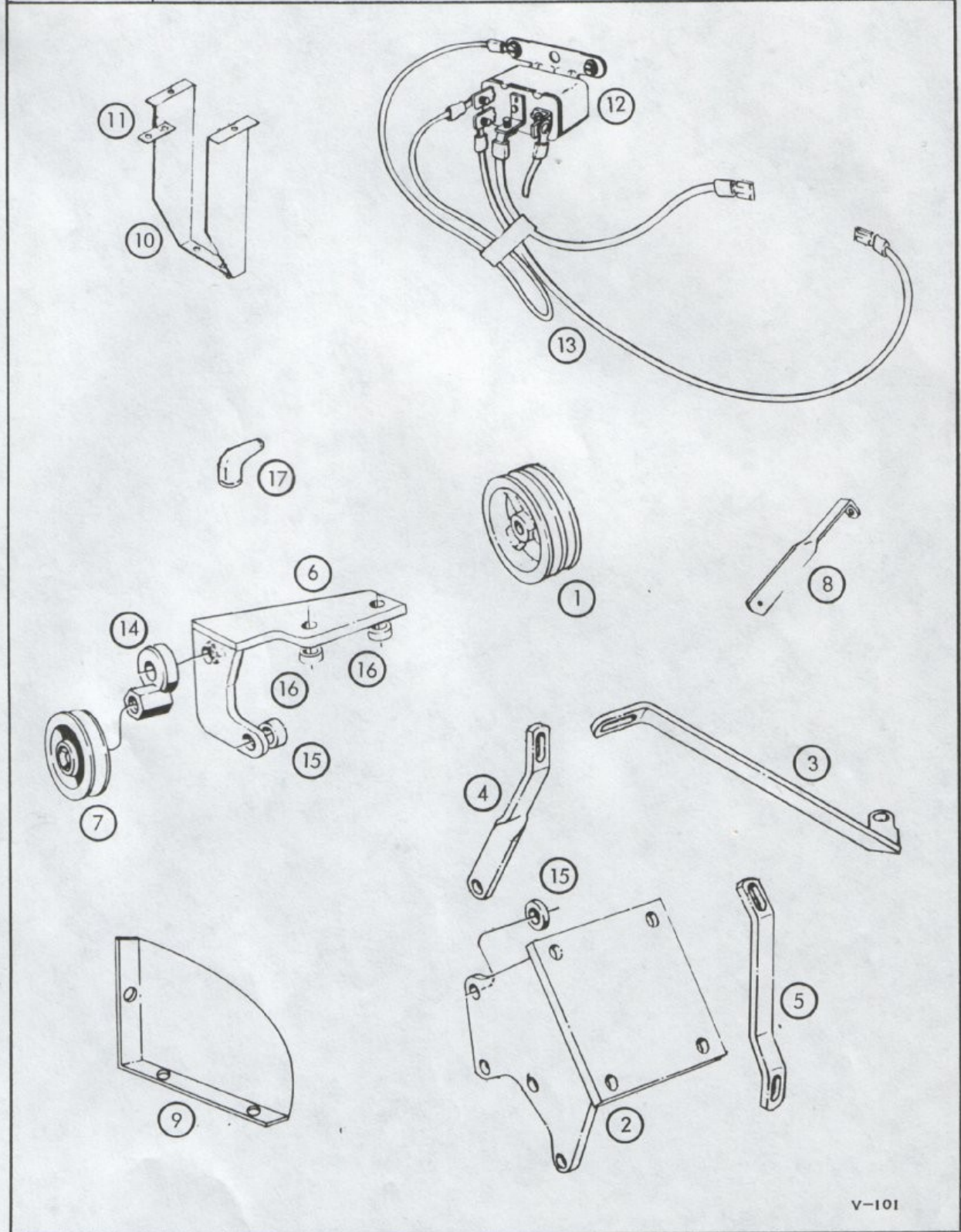
ISSUE NO. 1		AIR CONDITIONER			PAGE NO. 1
FIGURE	QTY.	FRIGIKING PART NO.	VOLVO PART NO.	DESCRIPTION	NOTES
.	.	91.09913	279905	ADAPTER KIT FOR COMPONENTS SEE PAGE 2-3	1.
.	.	91.07792	279906	ADAPTER KIT FOR COMPONENTS SEE PAGE 4-5	2,4.
.	.	91.07795	279907	ADAPTER KIT FOR COMPONENTS SEE PAGE 6-7	3.
.	.	41.00506	75465	EVAPORATOR ASSEMBLY FOR COMPONENTS SEE PAGE 8-9	1,2,3,6.
.	.	91.09731	279911	EVAPORATOR ASSEMBLY FOR COMPONENTS SEE PAGE 10-11	4,6.
.	.	91.09072	279910	EVAPORATOR ASSEMBLY FOR COMPONENTS SEE PAGE 12-13	
.	.	91.01176	75468	GENERAL KIT FOR COMPONENTS SEE PAGE 14	1,7.
.	.	91.07696	279909	GENERAL KIT FOR COMPONENTS SEE PAGE 15	1,2,3,8.
.	.	91.09880	279912	GENERAL KIT FOR COMPONENTS SEE PAGE 16	4,8.
.	.	60.00570	75413	COMPRESSOR FOR COMPONENTS SEE PAGE 18-19	1,2,3,4.
.	.	91.09899	279908	CONDENSER KIT FOR COMPONENTS SEE PAGE 17	1,2,3,4.

1. MODELS I22S AND I800S, 1962 - 1966	5. 1 SPEED BLOWER
2. MODEL I22S 1967 ONWARDS	6. 3 SPEED BLOWER
3. MODEL I800S, 1967 ONWARDS	7. 6" CLUTCH
4. MODEL I44S 1967 ONWARDS	8. 7" CLUTCH

PAGE NO.		ADAPTER KIT			ISSUE NO.
2		91,09913		279905	1
FIGURE	QTY.	FRIGIKING PART NO.	VOLVO PART NO.	DESCRIPTION	NOTES
	1	91.09913	279905	ADAPTER KIT CPL.	
1	1	91.00707	75430	. PULLEY ASSY., DRIVE	
2	1	91.00709	75431	. MOUNT ASSY., COMPRESSOR	
3	1	91.00713	75432	. BRACE ASSY., COMPRESSOR	
4	1	91.00714	75433	. BRACE, COMPRESSOR	
5	1	91.00715	75434	. BRACE, COMPRESSOR MOUNT	
6	1	91.00719	75436	. MOUNT ASSY., IDLER	
7	1	91.00679	75428	. IDLER PULLEY ASSY.	
	1	91.00678	75427	. . PULLEY ASSY.	
	1	07.01012	75372	. . . BEARING	
	1	91.00680	75429	. . . SNAP RING	
	1	03.00961	75364	. . SPACER, 15/32" ID x 7/8" OD x 3/16"	
	1	50.00647	75399	. . BOLT, SHOULDER	
8	1	15.00154	75378	. BRACE, EVAPORATOR CASE	
9	1	15.00155	75379	. BRACE, GLOVE BOX	
10	1	15.00192	75383	. BRACKET, HEATER CONTROL	
11	1	15.00189	75382	. CLIP, HEATER CONTROL BRACKET	
12	1	20.00805	75386	. RELAY	
13	1	91.00718	75435	. WIRING HARNESS	
	1	91.00729	75438	. SACK ASSY., HARDWARE	1.
14	1	03.20730	75366	. . ECCENTRIC, IDLER - 1 1/8"	
15	2	03.00448	75359	. . SPACER, 11/32" ID x 5/8" OD x 3/16"	
16	2	03.00959	75362	. . SPACER, 15/32" ID x 7/8" OD x 1/8"	
	2	60.60930	75415	. . GASKET, COMPRESSOR VALVE	
	1	04.01533	75504	. BELT, DRIVE	
	1	91.09297	75466	. FAN BLADE	
	1	91.00722	75437	. VACUUM HOSE, 3/8" ID x 15"	
	1	57.00136	75412	. STRIP, DASH FILLER	
	1	01.02025	75355	. SPACER, FAN - 4 HOLES	
17	1	91.09863	75467	. SPARK PLUG CONNECTOR	

1. ALSO INCLUDES ALL STANDARD HARDWARE FOR INSTALLATION

ISSUE NO. 1	ADAPTER KIT 91.09913	PAGE NO. 3
----------------	-------------------------	---------------

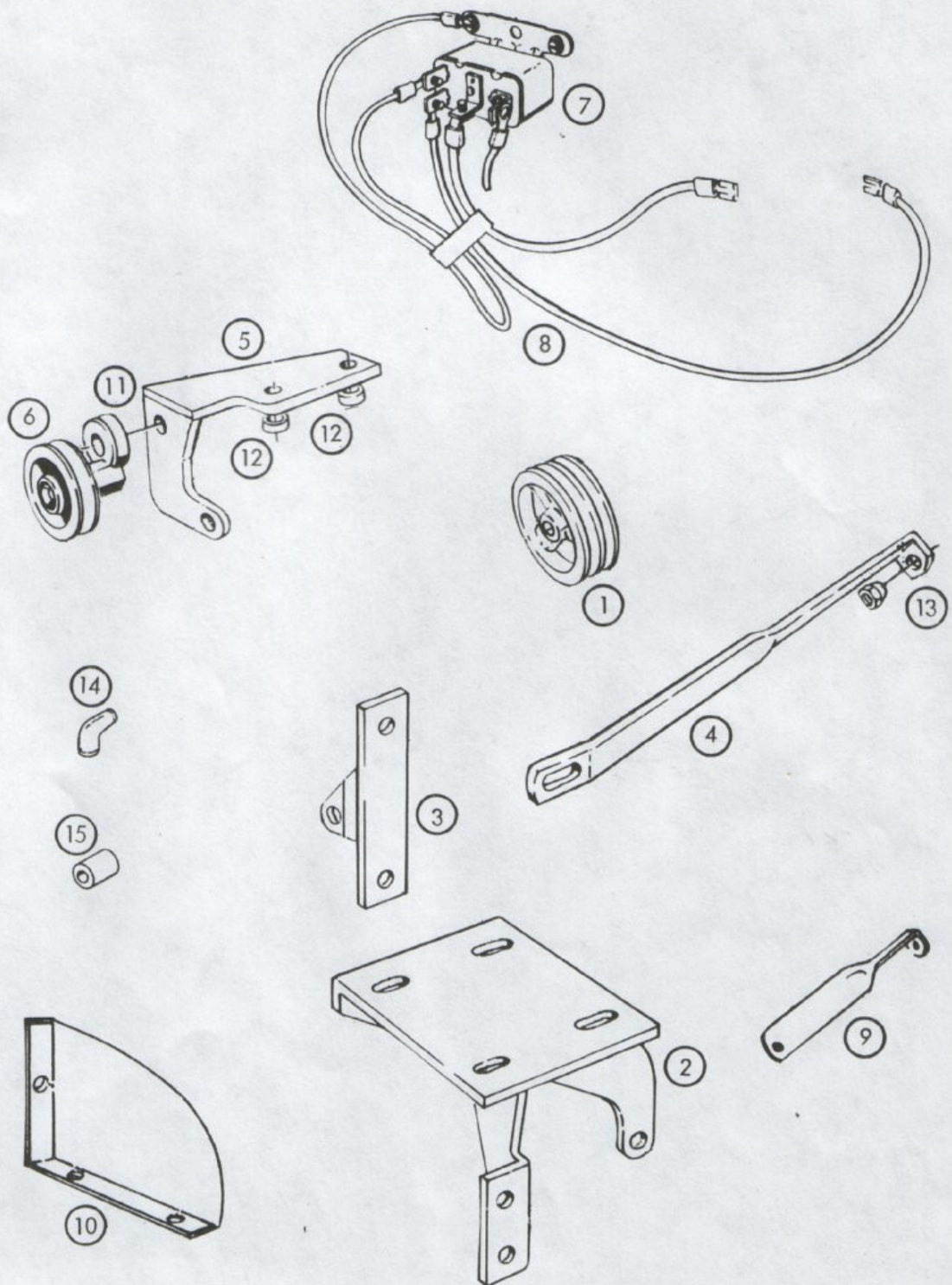


PAGE NO.		ADAPTER KIT			ISSUE NO.
4		91.07792		279906	1
FIGURE	QTY.	FRIGIKING PART NO.	VOLVO PART NO.	DESCRIPTION	NOTES
	1	91.07792	279906	ADAPTER KIT CPL.	
1	1	91.00707	75340	. PULLEY ASSY., DRIVE	
2	1	91.07786	75454	. MOUNT ASSY., COMPRESSOR	
3	1	91.07785	75453	. BRACE, COMPRESSOR TO CYL. HEAD	
4	1	91.07845	75457	. BRACE, COMPRESSOR	
5	1	91.07802	75456	. MOUNT ASSY., IDLER	
6	1	91.00679	75428	. IDLER PULLEY ASSY.	
	1	91.00678	75427	. . PULLEY ASSY.	
	1	07.01012	75372	. . . BEARING	
	1	91.00680	75429	. . . RING	
	1	03.00961	75364	. . SPACER, 15/32" ID x 7/8" OD x 3/16"	
	1	50.00647	75399	. . BOLT, SHOULDER	
7	1	20.00805	75386	. RELAY	
8	1	91.00718	75435	. HARNESS, WIRING	
9	1	15.00154	75378	. BRACE, EVAPORATOR CASE	
10	1	15.00155	75379	. BRACE ASSY., PACKAGE TRAY	
	1	91.07793	75455	. SACK ASSY., HARDWARE	1.
11	1	03.20507	75365	. . ECCENTRIC, IDLER - 1 1/8"	
12	2	03.00960	75363	. . SPACER, 15/32" ID x 7/8" OD x 5/32"	
13	1	91.08007	75461	. . NUT, SPECIAL - 7/16" - 14	
	1	04.01543	75368	. BELT, DRIVE	
	1	91.09297	75466	. FAN BLADE	
14	1	91.09863	75467	. SPARK PLUG CONNECTOR	
15	1	01.02025	75355	. SPACER, FAN - 1/4"	2.

1. ALSO INCLUDES ALL STANDARD HARDWARE FOR INSTALLATION

2. USED ON 1967 I44S ONLY

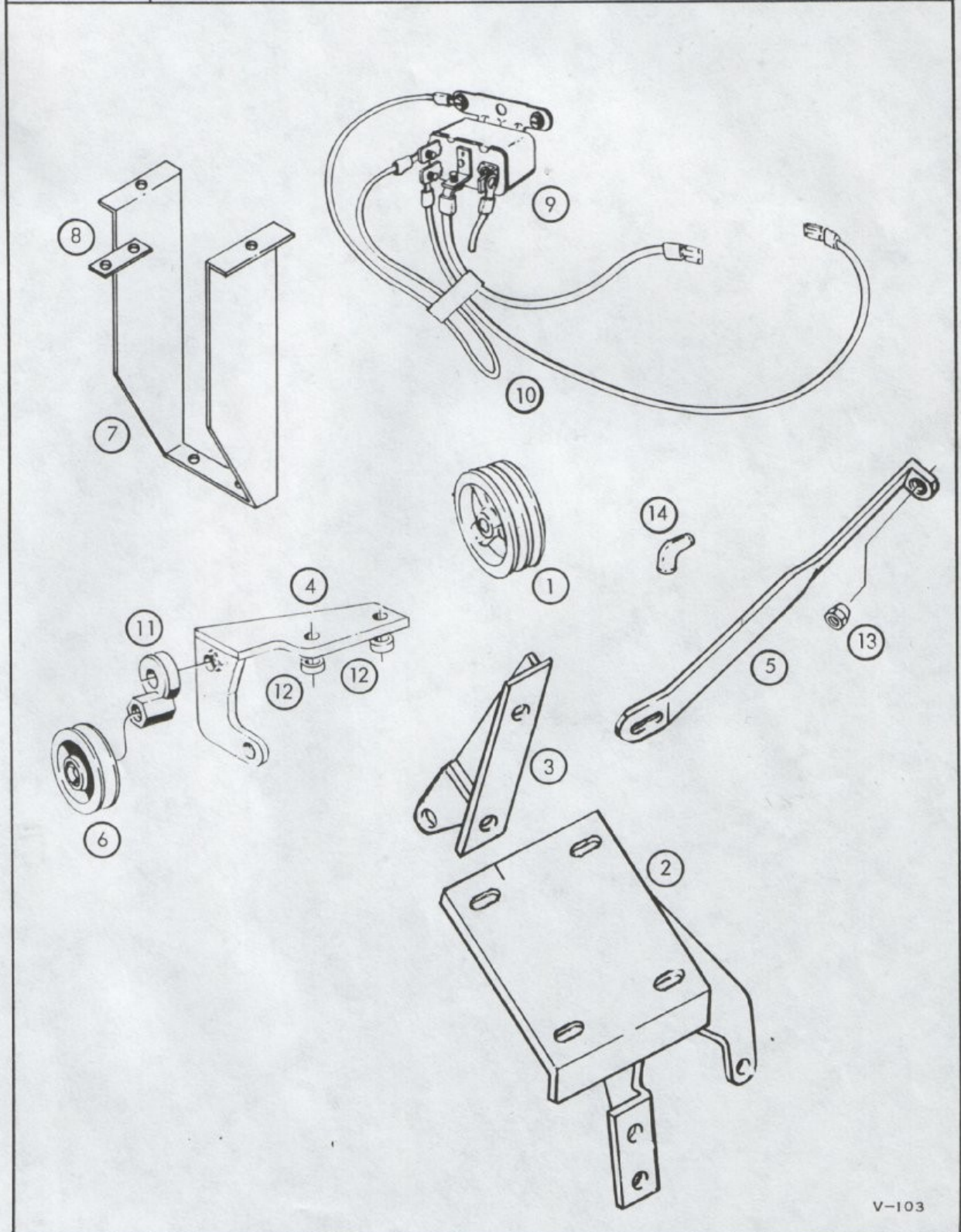
ISSUE NO. 1	ADAPTER KIT 91.07792	PAGE NO. 5 279906
----------------	-------------------------	-------------------------



PAGE NO.		ADAPTER KIT		ISSUE NO.	
6		91.07795	279907	1	
FIGURE	QTY.	FRIGIKING PART NO.	VOLVO PART NO.	DESCRIPTION	NOTES
	1	91.07795	279907	ADAPTER KIT Cpl.	
1	1	91.00707	75430	. PULLEY ASSY. , DRIVE	
2	1	91.07915	75459	. MOUNT ASSY. , COMPRESSOR	
3	1	91.07906	75458	. BRACE ASSY. , COMPRESSOR TO CYL. HEAD	
4	1	91.07802	75456	. MOUNT ASSY. , IDLER	
5	1	91.07928	75460	. BRACE, COMPRESSOR TO ENGINE	
6	1	91.00679	75428	. IDLER PULLEY ASSY.	
	1	91.00678	75427	. . PULLEY ASSY.	
	1	07.01012	75372	. . . BEARING	
	1	91.00680	75429	. . . RING	
	1	03.00961	75364	. . SPACER, 15/32" ID x 7/8" OD x 3/16"	
	1	50.00647	75399	. . BOLT, SHOULDER	
7	1	15.00192	75383	. BRACKET, HEATER CONTROL	
8	1	15.00189	75382	. CLIP, HEATER CONTROL BRACKET	
9	1	20.00805	75386	. RELAY	
10	1	91.00718	75435	. HARNESS	
	1	91.07796	75472	. SACK ASSY. , HARDWARE	I.
11	1	03.20507	75365	. . ECCENTRIC, IDLER - 1 1/8"	
12	2	03.00960	75363	. . SPACER, 15/32" ID x 7/8" OD x 5/32"	
13	1	91.08007	75461	. . NUT, SPECIAL 7/16" - 14	
	2	60.60930	75415	. . GASKET, COMPRESSOR VALVE	
	1	04.01543	75368	. BELT, DRIVE	
	1	91.09297	75466	. FAN BLADE	
	1	91.00722	75437	. HOSE, VACUUM - 3/8" ID x 15"	
	1	57.00136	75412	. STRIP, DASH FILLER	
14	1	91.09863	75467	. SPARK PLUG CONNECTOR	

I. ALSO INCLUDES ALL STANDARD HARDWARE FOR INSTALLATION

ISSUE NO. 1	ADAPTER KIT 91.07795	PAGE NO. 7 279907
----------------	-------------------------	-------------------------



PAGE NO. 8		EVAPORATOR ASSEMBLY			ISSUE NO. 1
		41.00506		75465	
FIGURE	QTY.	FRIGIKING PART NO.	VOLVO PART NO.	DESCRIPTION	NOTES
	1	41.00506	75465	EVAPORATOR ASSY. CPL.	
1	1	64.08123	75422	. COIL ASSY., EVAPORATOR	
2	1	61.21001	75420	. VALVE, EXPANSION	
	1	15.00162	75381	. CLAMP, EXPANSION VALVE BULB	
3	1	14.00565	75376	. CENTERBAND ASSY.	
4	1	14.00208	75375	. COVER, TOP	
5	1	52.20079	75405	. FACEPLATE ASSY.	
	1	25.00114	75388	. BULB, CLUTCH LIGHT	
6	1	20.01010	75387	. SWITCH, BLOWER	
	1	83.80109	75425	. KNOB, BLOWER SWITCH	
	1	50.03183	75400	. NUT, SPECIAL - 7/16" - 28	
7	1	55.00113	75411	. THERMOSTAT	
	1	83.80109	75425	. KNOB, THERMOSTAT	
	1	50.03183	75400	. NUT, SPECIAL - 7/16" - 28	
8	2	51.00135	75404	. LOUVER ASSY.	
9	1	01.05025	75357	. BLOWER ASSY.	
	1	32.00361	75397	. . MOTOR, BLOWER	
	1	01.00430	75351	. . WHEEL, BLOWER	1.
	1	01.00431	75352	. . WHEEL, BLOWER	2.
	1	01.05001	75356	. . HOUSING, BLOWER	
	2	12.20041	75373	. . RING, VENTURI	
	2	15.00511	75384	. . MOUNT, MOTOR	
	4	82.00323	75424	. . INSULATION, MOTOR MOUNT	
10	1	63.00328	75421	. RECEIVER-DRIER	
	1	15.01014	75385	. CLAMP, RECEIVER-DRIER	
11	1	15.00149	75377	. BRACE, BACK	
12	2	71.00167	75423	. HOSE, DRAIN - 3/8" x 15"	
	1	15.00158	75380	. BRACKET, MOUNTING	
	1	50.90111	75403	. SACK ASSY.	3.

1. CLOCKWISE ROTATION

2. COUNTER-CLOCKWISE ROTATION

3. CONTAINS ALL STANDARD HARDWARE FOR INSTALLATION

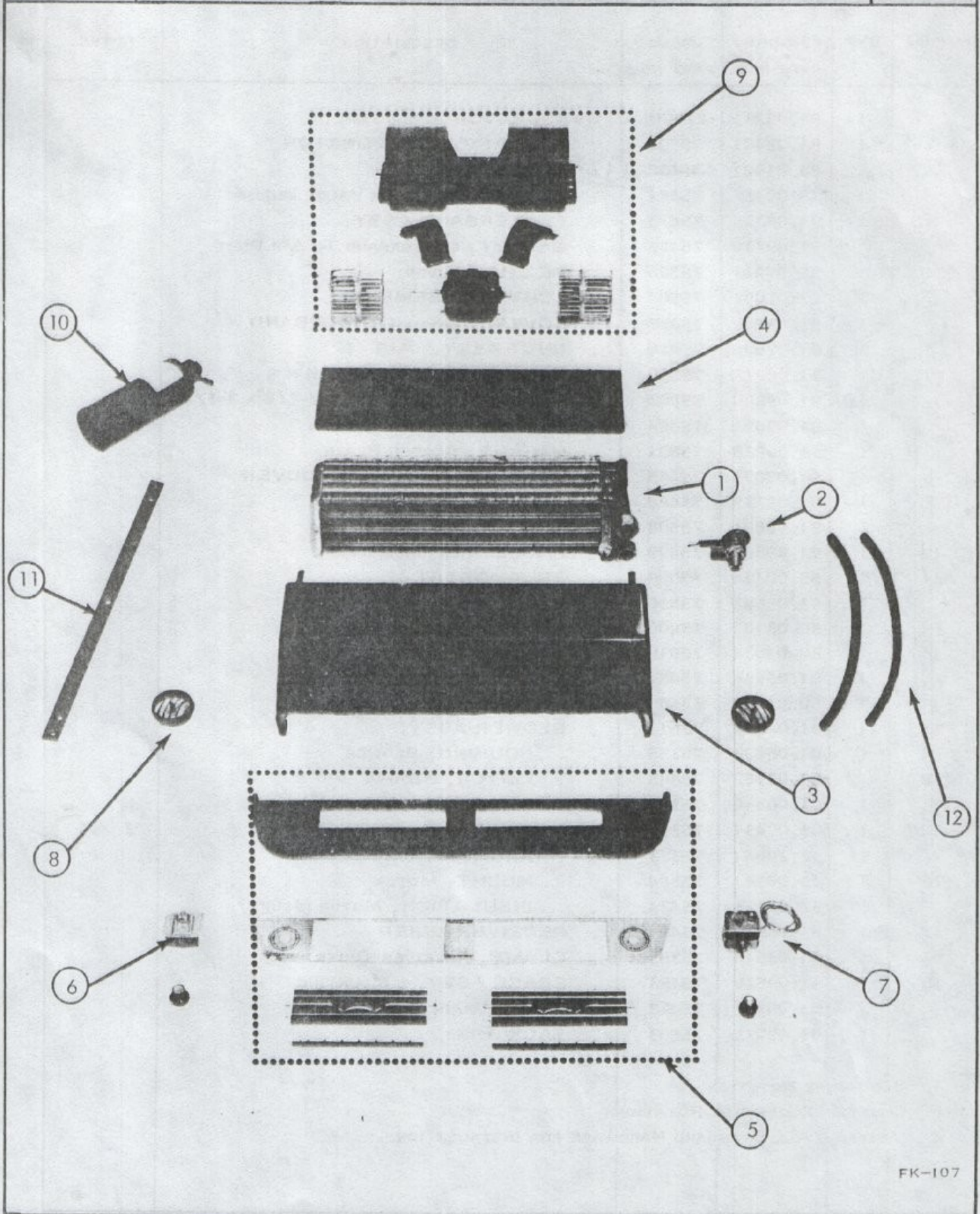
ISSUE NO.
1

41.00506

EVAPORATOR ASSEMBLY

75465

PAGE NO.
9

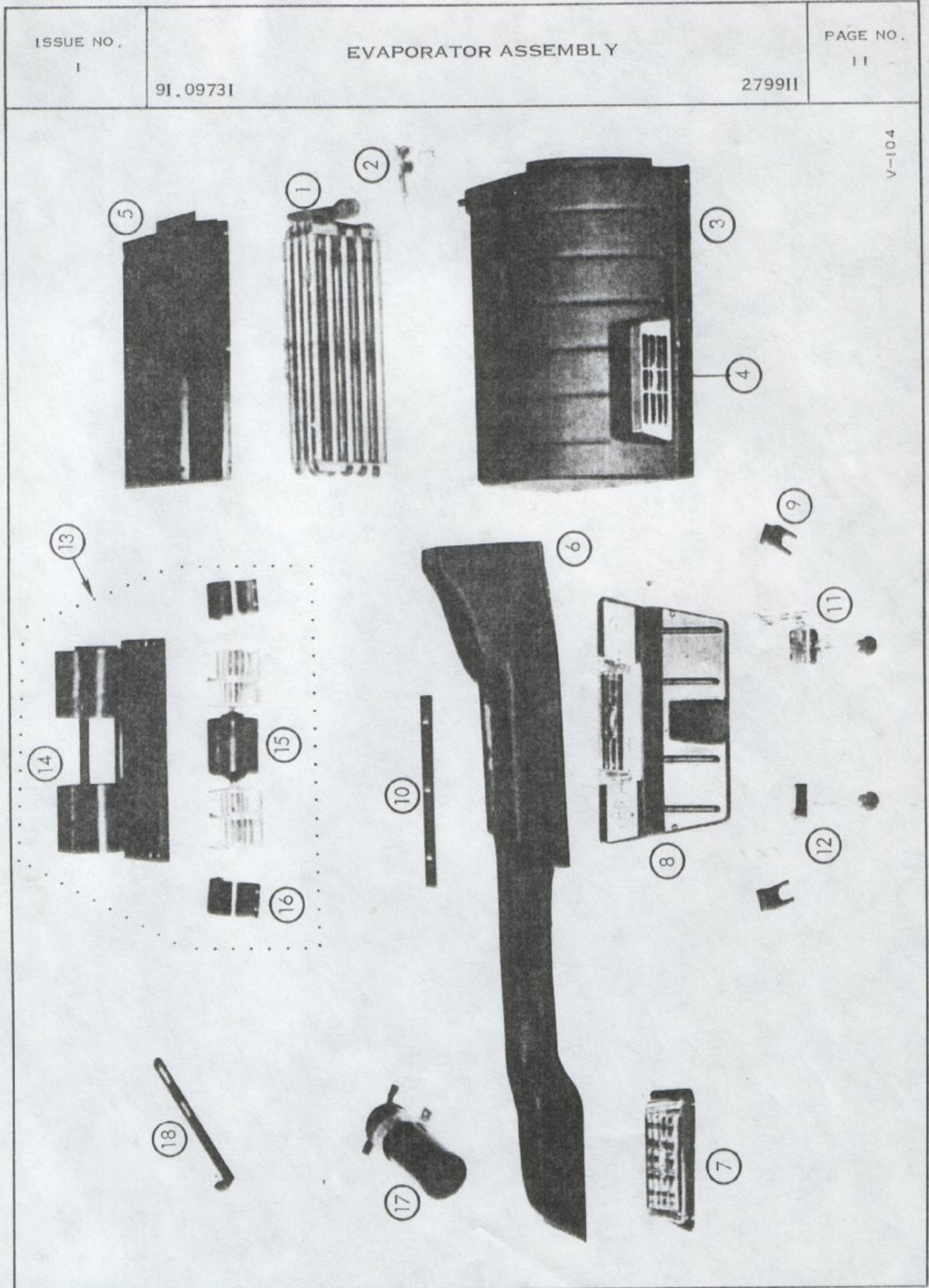


PAGE NO. 10		EVAPORATOR ASSEMBLY			ISSUE NO. 1
		91.0973 I			279911
FIGURE	QTY.	FRIGIKING PART NO.	VOLVO PART NO.	DESCRIPTION	NOTES
	1	91.0973 I	279911	EVAPORATOR ASSY. CPL.	
1	1	91.09401	75505	. COIL ASSY, EVAPORATOR	
2	1	61.21001	75420 75522	VALVE, EXPANSION	
	1	15.00162	75381	. CLAMP, EXPANSION VALVE BULB	
3	1	91.09725	75473	. CENTERBAND ASSY.	
	1	91.09716	75476	. GASKET, CENTERBAND TO AIR DUCT	
4	1	91.07471	75506	. BEZEL, LOUVER	
	1	91.07093	75507	. LOUVER ASSEMBLY	
5	1	91.09689	75477	. COVER ASSY., CENTERBAND	
6	1	91.09684	75480	. DUCT ASSY., AIR	
	1	91.09823	75500	. GASKET, DUCT TO DASH II" X 6"	
	1	91.09680	75502	. GASKET, DUCT TO DASH 7-1/2" X 3-1/4"	
	1	91.09693	75484	. PLATE, AIR DUCT ACCESS	
	1	91.09826	75501	. GASKET, ACCESS PLATE	
7	1	91.09892	75485	. TRANSITION ASSY., LOUVER	
8)	1	91.09735	75486	. FACEPLATE ASSY.	
9	2	91.09883	75508	. . CLIP, ADJ. MOUNTING	
10	1	91.09896	75499	. ANGLE, ADJ. MOUNTING	
11	1	55.00114	75509	. THERMOSTAT	
	1	91.05683	75450	. KNOB, THERMOSTAT	
	1	50.03183	75400	. NUT, SPECIAL 7/16" - 28	
12	1	20.01034	75510	. SWITCH, BLOWER	
	1	91.05683	75450	. KNOB, BLOWER SWITCH	
	1	50.03183	75400	. NUT, SPECIAL - 7/16" - 28	
13	1	91.04316	75511	. BLOWER ASSY.	
14	1	01.05001	75356	. . HOUSING, BLOWER	
15	1	91.02169	75443	. . MOTOR, BLOWER	
	1	01.00430	75351	. . WHEEL, BLOWER	1.
	1	01.00431	75352	. . WHEEL, BLOWER	2.
	2	12.20041	75373	. . RING, VENTURI	
16	2	15.00511	75384	. . MOUNT, MOTOR	
	2	82.00323	75424	. . INSULATION, MOTOR MOUNT	
17	1	63.00328	75421	. RECEIVER-DRIER	
	1	15.01014	75385	. CLAMP, RECEIVER-DRIER	
18	1	91.09678	75493	. BRACE ASSY., MOUNTING	
	1	71.00167	75423	. HOSE, DRAIN - 3/8" X 15"	
	1	91.09733	75503	. SACK ASSY.	3.

1. CLOCKWISE ROTATION

2. COUNTER-CLOCKWISE ROTATION

3. CONTAINS ALL STANDARD HARDWARE FOR INSTALLATION



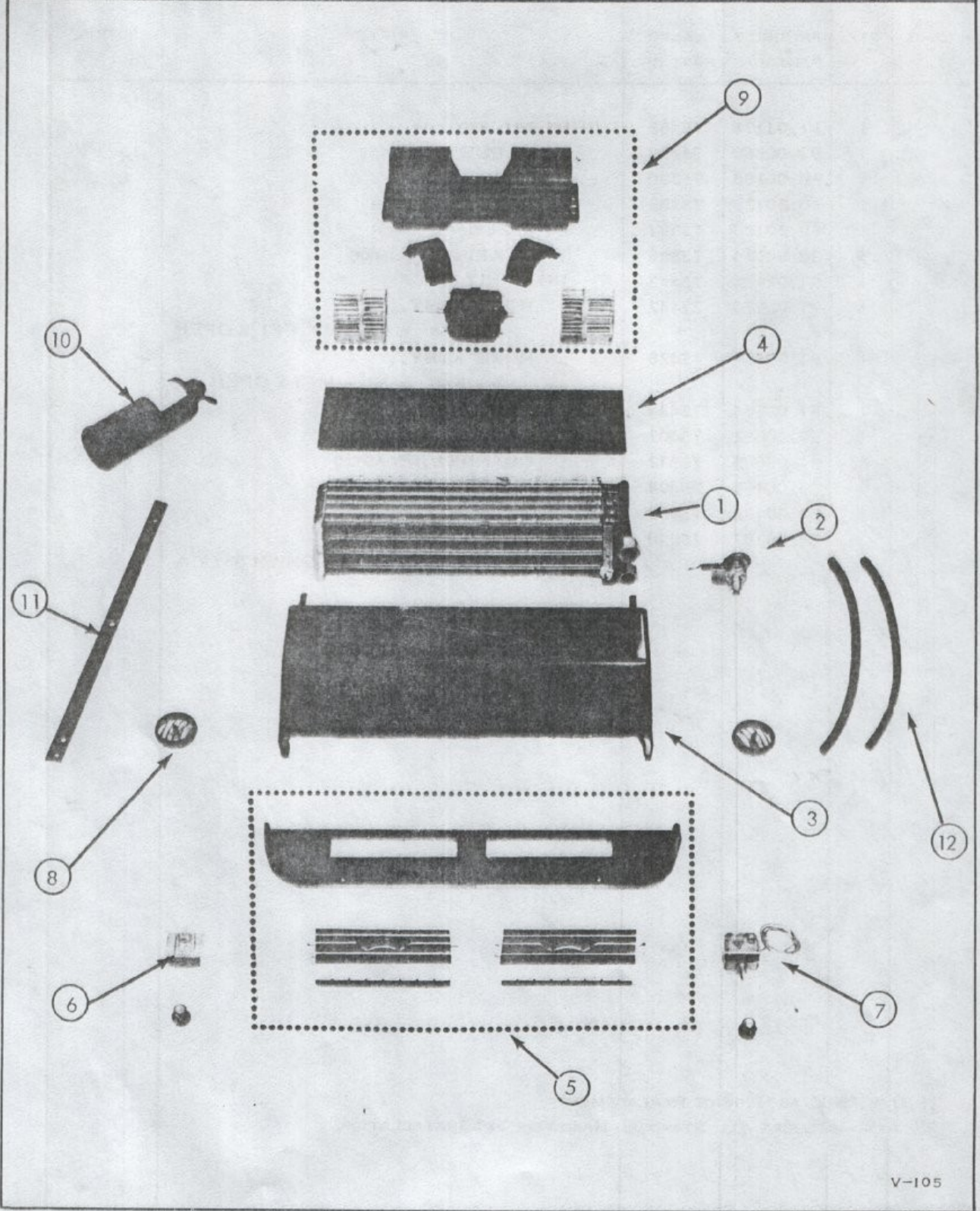
PAGE NO. 12		EVAPORATOR ASSEMBLY			ISSUE NO. 1
		91.09072	279910		
FIGURE	QTY.	FRIGIKING PART NO.	VOLVO PART NO.	DESCRIPTION	NOTES
	1	91.09072	279910	EVAPORATOR ASSY. CPL.	
1	1	64.08123	75422	. COIL ASSY. , EVAPORATOR	
2	1	61.21001	75420	. VALVE, EXPANSION	
	1	15.00162	75381	. CLAMP, EXPANSION VALVE BULB	
3	1	14.00565	75376	. CENTERBAND ASSY.	
4	1	14.00208	75375	. COVER, TOP	
5	1	91.09069	75464	. FACEPLATE ASSY.	
6	1	91.01843	75441	. SWITCH, BLOWER	
	1	50.03183	75400	. NUT, SPECIAL - 7/16" - 28	
	1	91.05683	75450	. KNOB, BLOWER SWITCH	
7	1	55.00113	75411	. THERMOSTAT	
	1	50.03183	75400	. NUT, SPECIAL - 7/16" - 28	
	1	91.05683	75450	. KNOB, THERMOSTAT	
8	2	51.00135	75404	. LOUVER ASSY. , 2" BLACK - W / SPRING	
9	1	91.08855	75462	. BLOWER ASSY.	
	1	91.02169	75443	. . MOTOR, BLOWER	
	1	01.05001	75356	. . HOUSING, BLOWER	
	1	01.00459	75353	. . WHEEL, BLOWER	1.
	1	01.00460	75354	. . WHEEL, BLOWER	2.
	2	91.07391	75452	. . MOUNT, MOTOR	
	8	91.07388	75451	. . BUMPER, GROMMET	
10	1	63.00328	75421	. RECEIVER-DRIER	
	1	15.01014	75385	. CLAMP, RECEIVER-DRIER	
11	1	15.00149	75377	. BRACE, BACK - 12"	
12	2	71.00167	75423	. HOSE, DRAIN - 3/8" x 15"	
	1	15.00158	75380	. BRACKET, CASE MOUNTING - 20-3/8"	
	1	50.90111	75403	. SACK ASSY.	3.

1. CLOCKWISE ROTATION

2. COUNTER-CLOCKWISE ROTATION

3. CONTAINS ALL STANDARD HARDWARE FOR INSTALLATION

ISSUE NO. 1	EVAPORATOR ASSEMBLY 91.09072	PAGE NO. 13 279910
----------------	---------------------------------	--------------------------



PAGE NO. 14		91.01176		GENERAL KIT		75468	ISSUE NO. 1
FIGURE	QTY.	FRIGIKING PART NO.	VOLVO PART NO.	DESCRIPTION		NOTES	
	1	91.01176	75468	GENERAL KIT CPL.			
	1	91.00860	75439	. COMPRESSOR		1.	
	1	30.00266	75390	. CLUTCH, 6" 12V			
	1	30.20128	75393	. . ROTOR, CLUTCH			
	1	30.20108	75391	. . FIELD, CLUTCH			
	1	30.60024	75396	. . BEARING, CLUTCH			
	1	91.02938	75445	. HOSE KIT			
	1	91.02076	75442	. . HOSE ASSY., 3/8" x 90" - 90° FFI x OPEN			
	1	91.00593	75426	. . HOSE ASSY., 5/8" x 55" - MFI x OPEN			
	1	91.02204	75444	. . HOSE - 1/2" x 35"			
	1	50.90052	75402	. SACK ASSY.		2.	
	4	91.09609	75512	. . CHANNEL, PLASTIC			
	2	54.00189	75408	. . CLAMP, TD - 12			
	4	54.00198	75409	. . CLAMP, TD - 16			
	2	54.00207	75410	. . CLAMP, HOSE - #8			
	6			. . SCREW, 5/8" - 10 - SHWH TYPE A			

1. USE 75413 AS SERVICE REPLACEMENT

2. ALSO INCLUDES ALL STANDARD HARDWARE FOR INSTALLATION

ISSUE NO. I		91.07696		GENERAL KIT		279909		PAGE NO. 15	
FIGURE	QTY.	FRIGIKING PART NO.	VOLVO PART NO.	DESCRIPTION		NOTES			
	I	91.07696	279909	GENERAL KIT CPL.					
	I	91.00860	75439	. COMPRESSOR		1.			
	I	30.00203	75389	. CLUTCH, 7" I2V					
	I	30.60019	75395	. . ROTOR, CLUTCH					
	I	30.20108	75391	. . FIELD, CLUTCH					
	I	30.60006	75398	. . BEARING, CLUTCH					
	I	91.02938	75445	. HOSE KIT					
	I	91.02076	75442	. . HOSE ASSY., 3/8" x 90" - 90° FFI x OPEN					
	I	91.00593	75426	. . HOSE ASSY., 5/8" x 55" - MFI x OPEN					
	I	91.02204	<u>75444</u>	. . HOSE, 1/2" x 35"					
	I	91.09906	75513	. SACK ASSY.		2.			
	4	53.00115	75406	. . GROMMET, 1" ID					
	2	54.00189	75408	. . CLAMP, TD - 12					
	4	54.00198	75409	. . CLAMP, TD - 16					
	2	54.00207	75410	. . CLAMP, Hose - #8					
	6			. . SCREW, 5/8" - 10 - SHWH TYPE A					

1. USE 75413 AS SERVICE REPLACEMENT

2. ALSO INCLUDES ALL STANDARD HARDWARE FOR INSTALLATION

PAGE NO.		GENERAL KIT		ISSUE NO.	
16		91.09880		279912	
FIGURE	QTY.	FRIGIKING PART NO.	VOLVO PART NO.	DESCRIPTION	NOTES
	1	91.09880	279912	GENERAL KIT CPL.	
	1	91.00860	75439	. COMPRESSOR	1.
	1	30.00203	75389	. CLUTCH, 7" 12V	75518
	1	30.60019	75395	. . ROTOR, CLUTCH	
	1	30.20108	75391	. . FIELD, CLUTCH	
	1	30.60006	75394	. . BEARING, CLUTCH	
	1	91.09878	75494	. HOSE KIT	
	1	91.09876	75495	. . HOSE ASSY. , 3/8" x 90" - 90° FFI x OPEN	X
	1	91.09875	75496	. . HOSE ASSY. , * 5/8" x 55" - MFI x OPEN	✓
	1	91.09877	75497	. . HOSE - 1/2" x 72"	
	1	91.09906	75498	. SACK ASSY.	2.
	4	53.00115	75406	. . GROMMET, 1" ID	
	2	54.00189	75408	. . CLAMP, TD - 12	
	1	54.00198	75409	. . CLAMP, TD - 16	
	2	54.00207	75410	. . CLAMP, Hose - #8	
	3	NPN		. . SCREW, 5/8" - 10 - SHWH TYPE A	

1. USE 75413 AS SERVICE REPLACEMENT

2. ALSO INCLUDES ALL STANDARD HARDWARE FOR INSTALLATION

ISSUE NO. I		CONDENSER KIT			PAGE NO. 17
		91.09899	279908		
FIGURE	QTY.	FRIGIKING PART NO.	VOLVO PART NO.	DESCRIPTION	NOTES
	I	91.09899	279908	CONDENSER KIT	
	I	91.02345	75469	. COIL ASSY; CONDENSER	
	I	91.01514	75470	. SACK ASSY.	I.
	4	91.01608	75471	. . BRACKET, MOUNTING	
	2	54.00207	75410	. . CLAMP, Hose -#8	
I. ALSO INCLUDES ALL STANDARD HARDWARE FOR INSTALLATION					

PAGE NO. 18		COMPRESSOR			ISSUE NO. 1
		60.00570		75413	
FIGURE	QTY.	FRIGIKING PART NO.	VOLVO PART NO.	DESCRIPTION	NOTES
	1	60.00570	75413	COMPRESSOR LESS/SERVICE VALVES	
1	1	60.61128	75416	. VALVE PLATE KIT	
2	1	NPN	NPN	. . GASKET, CYL. HEAD	I.
3	1	NPN	NPN	. . GASKET, VALVE PLATE	I.
4	1	60.61145	75417	. SEAL KIT ASSY.	
5	1	NPN	NPN	. BEARING, FRONT	
6	1	NPN	NPN	. O-RING, HOUSING TO BODY	I.
7	1	NPN	NPN	. GASKET, BASE PLATE	I.
8	1	NPN	NPN	. PLUG, OIL FILLER	
9	1	NPN	NPN	. O-RING, OIL FILLER PLUG	I.
10	1	61.20066	75418	. ADAPTER, SWIVEL PAD 5/8" HOSE W/DILL VALVE	
	1	61.20067	75419	. ADAPTER, SWIVEL PAD 5/8" HOSE W/DILL VALVE	
11	2	60.60930	75415	. GASKET, VALVE PAD	
		60.60912	75414	GASKET KIT CPL.	

I. INCLUDED IN COMPLETE GASKET KIT PART No. 75414

ISSUE NO.
1

60.00570

COMPRESSOR

PAGE NO.
19

75413

