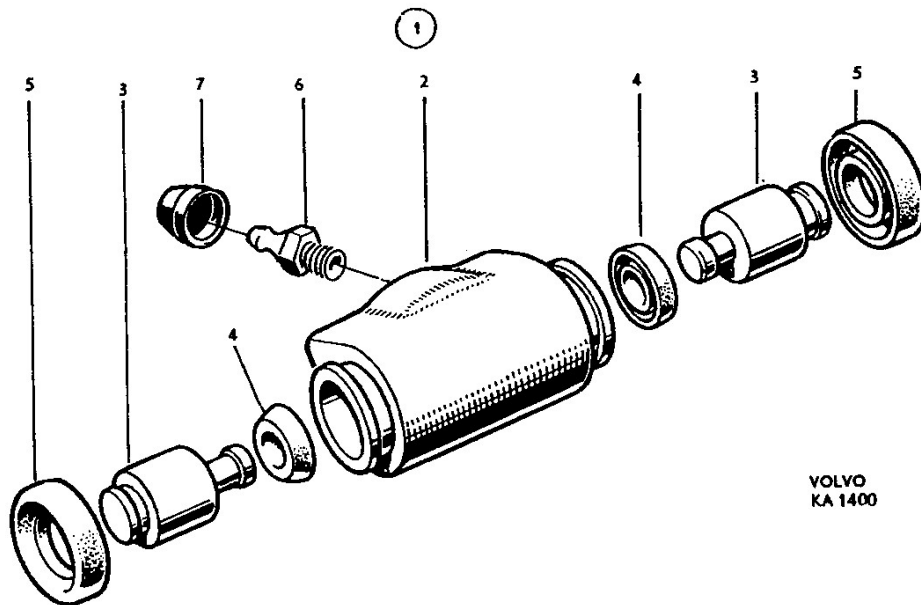


| Pos Fig. | Antal Qty. | | | Benämning | Description | Del. nr Part No. | Anmärkning Notes |
|-------------|---------------|--------|--------|-------------------------|----------------------------|---------------------|---------------------|
| | 662513 | 670404 | 671207 | | | | |
| 1 | 2 | | | Hjulcylander | Cylinder | 662513-1 | |
| | | 2 | | Hjulcylander | Cylinder | 670404-3 | |
| | | | 2 | Hjulcylander | Cylinder | 671207-9 | |
| 2 | 2 | 2 | 2 | . Hus | . Housing | S E S | |
| 3 | 4 | 4 | | . Kolv | . Piston | 662515-6 | |
| | | | 4 | . Kolv | . Piston | 671209-5 | |
| 4 | 4 | 4 | | . Gummipackning | . Rubber packing | 662516-4 | |
| | | | 4 | . Gummipackning | . Rubber packing | 663634-4 | |
| 5 | 4 | 4 | | . Gummikåpa | . Rubber casing | 662517-2 | |
| | | | 4 | . Gummikåpa | . Rubber casing | 671210-3 | |
| 6 | 2 | 2 | 2 | . Luftningsnippel | . Air venting nipple | 656455-3 | |
| 7 | 2 | 2 | 2 | . Gummikåpa | . Rubber casing | 656456-1 | |



VOLVO
KA 1400