

**P 180 (B18)**

Fotbromsmanövrering  
 Hydrauliska ledningar  
 1-krets

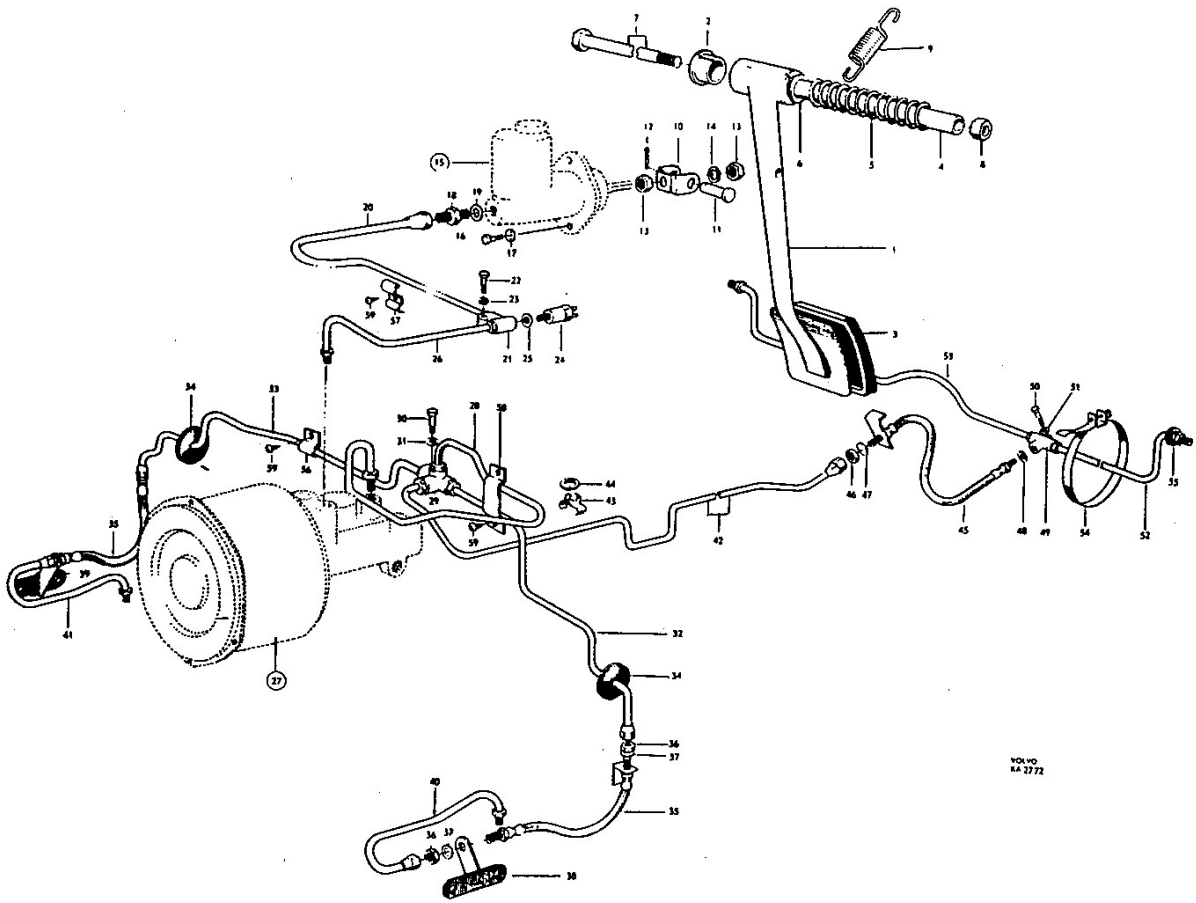
Ch-6999

Foot brake control linkage  
 Hydraulic lines  
 single circuit

Grupp  
 Group 5

Utgåva  
 Issue 6

Sida  
 Page 17



VOLVO  
 64 1272

REPRODUCED BY  
 VOLVO  
 FROM  
 ORIGINAL  
 DRAWING  
 64 1272

Grupp Group		5		P 180 (B18)			VOLVO Reservdelskatalog Parts catalogue
Sida Page	16	Utgåva Issue	9	Fotbromsanövrering Hydrauliska ledningar 1-krets	Ch-6999	Foot brake control linkage Hydraulic lines single circuit	
Pos Fig.	Antal Qty.	Benämning		Description	Det. nr Part No.	Anmärkning Notes	
1	1	Bromspedal .....		Brake pedal .....	653085-1		
2	2	Bussning .....		Bushing .....	659048-3		
3	1	Gummiskoning .....		Rubber pad .....	653238-6		
4	1	Axel .....		Shaft .....	656893-5		
5	1	Distansfjäder .....		Spacer spring .....	663389-5	1) <del>653459</del>	
6	2	Bricka .....		Washer .....	190065-3		
7	1	Skruv .....		Bolt .....	190912-6		
8	1	Mutter .....		Nut .....	950406-9		
9	1	Returfjäder .....		Return spring .....	663389-5	2) <del>665120</del>	
10	1	Gaffel .....		Yoke .....	672917-2	<del>653432</del>	
11	1	Saxpinnebult .....		Clevis pin .....	913128-5		
12	1	Saxpinne .....		Split pin .....	907824-7	<del>907822</del>	
13	2	Mutter .....		Nut .....	955847-9	Tid utf	
	1	Mutter .....		Nut .....	955847-9	Sen utf	
14	1	Fjäderbricka .....		Spring washer .....	955921-2	<del>906990</del>	
15	1	Tryckpump .....		Master cylinder .....	655879-5	3, 5)	
	1	Tryckpump .....		Master cylinder .....	662186-6	4)	
		. Det se sida 31, 32		. Components, see page 31 and 32			
16	2	Skruv .....		Screw .....	940135-7		
17	2	Låsbricka .....		Lock washer .....	955949-3	<del>951697</del>	
18	1	Förskruvning .....		Screw union .....	190279-0		
19	1	Kopparpackning .....		Copper packing .....	18665-0		
20	1	Bromsledning .....		Brake line .....	665000-6	3) Vst	
	1	Bromsledning .....		Brake line .....	666075-7	4) Vst	
	1	Bromsledning .....		Brake line .....	665010-5	Hst	
21	1	Trevägsförgrening .....		Three-way junction .....	664803-4		
22	1	Skruv .....		Screw .....	955640-8		
23	1	Fjäderbricka .....		Spring washer .....	955920-4	<del>906980</del>	
24	1	Bromskontakt .....		Brake contact .....	664804-2		
25	1	Kopparpackning .....		Copper packing .....	192001-6		
26	1	Bromsledning .....		Brake line .....	665001-4		
27	1	Vakuumbromscylinder med monteringsdetaljer .....		Vacuum-servo brake cylinder and installation components .....		Se sida 22	
28	1	Bromsledning .....		Brake line .....	665002-2		
29	1	Fyrvägsförgrening .....		Four-way junction .....	664802-6		
30	1	Skruv .....		Screw .....	955640-8		
31	1	Fjäderbricka .....		Spring washer .....	955920-4	<del>906980</del>	
32	1	Bromsledning, V, främre .....		Brake line, L, forward .....	665003-0		
33	1	Bromsledning, H, främre .....		Brake line, R, forward .....	669331-1	<del>665004</del>	
34	2	Gummibussning .....		Rubber bushing .....	665038-6		
35	2	Bromsslang .....		Brake hose .....	664800-0		
36	4	Mutter .....		Nut .....	955858-6		
37	4	Låsbricka .....		Lock washer .....	955950-1		

1. Tid utf. Sen utf. se sida 20.
2. Ch-6000.
3. Ch-35.
4. Ch 36.
5. Ers av: 1 st 662186-6, 1 st 666075-7.

Grupp Group		5		P 180 (B18)			VOLVO		
Sida Page		18		Utgåva Issue		8		Reservdelskatalog Parts catalogue	
Fotbromsmanövrering Hydrauliska ledningar 1-krets				Ch-6999		Foot brake control linkage Hydraulic lines single circuit			
Pos Fig.	Antal Qty.	Benämning	Description	Del. nr Part No.	Anmärkning Notes				
38	1	Hållare, V .....	Retainer, L .....	664604-6					
39	1	Hållare, H .....	Retainer, R .....	664603-8					
	4	Skruv .....	Bolt .....	955539-2	1) l = 2 1/2" -921848-				
	4	Mutter .....	Nut .....	950394-7	1)				
	2	Bricka .....	Washer .....	940097-9	1)				
40	1	Bromsledning, V, främre .....	Brake line, L, forward .....	665008-9					
41	1	Bromsledning, H, främre .....	Brake line, R, forward .....	665009-7					
42	1	Bromsledning .....	Brake line .....	665005-5	2)				
	2320	Bromsledning .....	Brake line .....	954313-3	3) -668725-				
	1	Överfallsmutter .....	Cap nut .....	954320-8					
	1	Överfallsmutter .....	Cap nut .....	192004-0					
43		Klammer .....	Clamp .....		4)				
44		Gummibricka .....	Rubber washer .....		4)				
45	1	Bromslang .....	Brake hose .....	670201-3	-664861-				
46	1	Mutter .....	Nut .....	955858-6					
47	1	Låsbricka .....	Lock washer .....	955950-1					
48	1	Kopparpackning .....	Copper packing .....	18651-0					
49	1	Trevägsförgrening .....	Three-way junction .....	664803-4	5)				
	1	Trevägsförgrening .....	Three-way junction .....	87696-1	6)				
50	1	Skruv .....	Screw .....	955640-8					
51	1	Fjäderbricka .....	Spring washer .....	955920-4	-906988-				
52	1	Bromsledning, V, bakre .....	Brake line, L, rear .....	665006-3	5)				
	1	Bromsledning, V, bakre .....	Brake line, L, rear .....	659979-9	6)				
53	1	Bromsledning, H, bakre .....	Brake line, R, rear .....	665007-1	5)				
	1	Bromsledning, H, bakre .....	Brake line, R, rear .....	660013-4	6)				
54	3	Klammer .....	Clamp .....	121585-4	-18355-				
	1	Klammer .....	Clamp .....	18301-2					
55	2	Gummibussning, bromsledning ..	Rubber bushing, brake line .....	659927-8					
56	4	Klammer .....	Clamp .....	18335-0	-668110-				
	1	Klammer .....	Clamp .....	18335-0	Hst -668110 RHD				
57	6	Klammer .....	Clamp .....	668131-6					
	2	Klammer .....	Clamp .....	668131-6	Hst RHD				
58	1	Klammer .....	Clamp .....	677980-5	Hst -192313-RHD				
59	erf	Skruv .....	Screw .....	955127-6	88 x 12				
	erf	Skruv .....	Screw .....	955119-3	86 x 3/8"				

1. Se sida 4 pos. 22-24.
2. Ch 1-3198.
3. Ch 3199-6999.
4. Se grupp 2c.
5. Ch-6979 excl 6958, 6962-6977.
6. Ch 6980- incl 6958, 6962-6977.