

VOLVO
KA 184

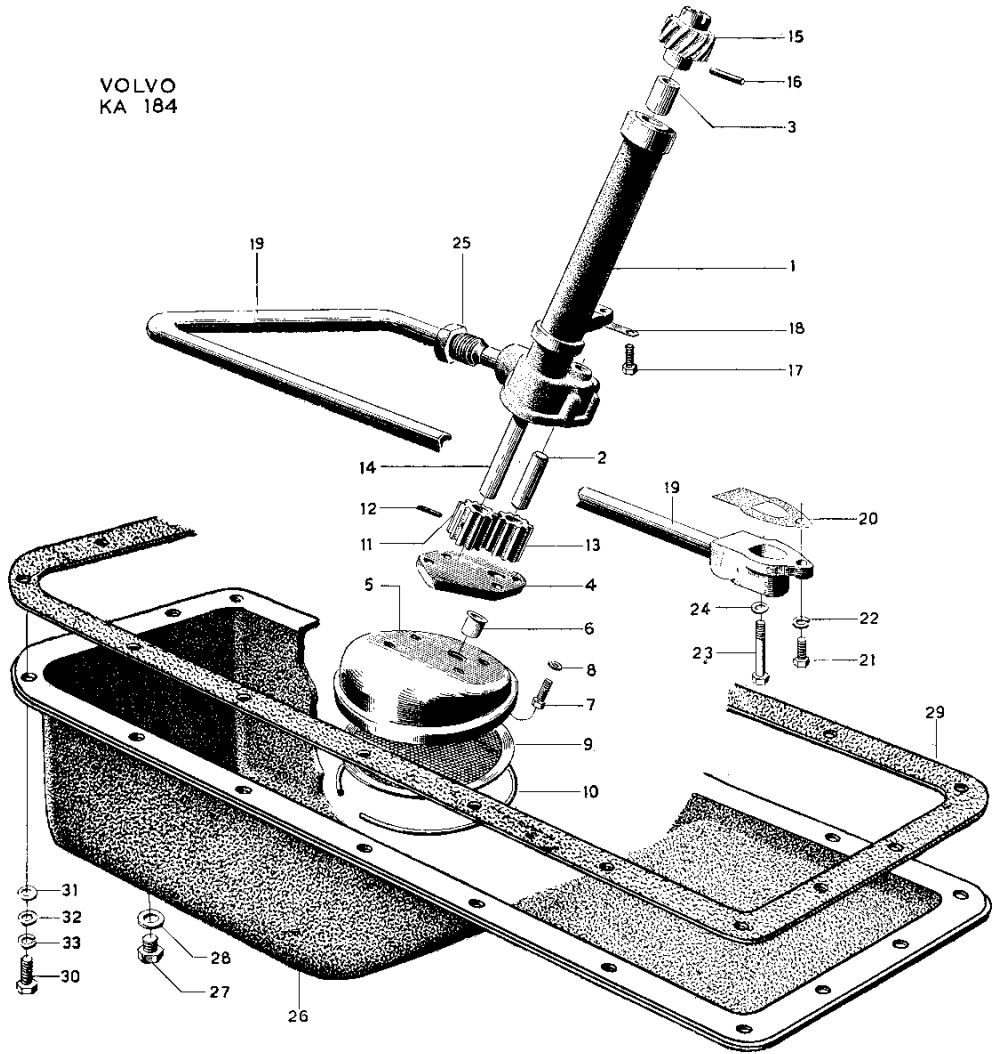


Fig. 5. Oil pump and oil sump

Fig.

<u>No.</u>	<u>Description</u>	<u>Part No.</u>	<u>Qty.</u>
<u>LUBRICATION AND COOLING</u>			
<u>LUBRICATING SYSTEM</u>			
	<u>Oil pump, complete</u>	403021	1
5- 1	. Housing, complete	403022	1
5- 2	. . Bearing pin for gear	44451	1
5- 3	. . Bushing for drive shaft	18130	2
	. Cover, early production (in conjunction with floating oil strainer)	403066	1
5- 4	. Cover, late production (in conjunction with fixed oil strainer)	403568	1
5- 5	. Housing for strainer element, late production (in conjunction with fixed oil strainer)	403464	1
5- 6	. . Suction pipe	403571	1
5- 7	. . Bolt for cover and housing	902253	4
5- 8	. . . Spring washer	906987	4
5- 9	. Strainer element, late production (in conjunction with fixed oil strainer)	403483	1
5-10	. . Lock ring	118123	1
5-11	. Gear, drive	403069	1
5-12	. . Slotted pin	907177	1
5-13	. Gear, driven	403070	1
5-14	. Shaft for worm	403067	1
5-15	. Worm for pump and distributor	403068	1
5-16	. . Slotted pin	907178	1
5-17	Bolt for oil pump	902281	2
5-18	. Lock washer, double	403181	1
	<u>Floating oil strainer, early production</u>	403143	1
	. Cotter pin	907849	1
5-19	Delivery pipe with flange, from oil pump	403232	1
5-20	. Gasket	403122	1
5-21	. Bolt for flange, length = 16 mm	902253	1
5-22	. . Spring washer	906987	1
5-23	. Bolt for flange, length = 35 mm	902258	1
5-24	. . Copper gasket	11991	1
5-25	. Screw connection for delivery pipe at oil pump	20139	1
5-26	<u>Oil sump</u>	403016	1
5-27	. Oil drain plug	16322	1
5-28	. Gasket	11994	1
5-29	Gasket for oil sump	403017	1

Fig.

<u>No.</u>	<u>Description</u>	<u>Part No.</u>	<u>Qty.</u>
5-30	Bolt for oil sump	902251	18
5-31	. Base washer	11961	15
5-32	. Copper washer	11991	2
5-33	. Spring washer	906987	16
	Plug for oil channel in block	16318	3
	. Gasket	18665	3
	Expander washer for oil channel	403141	2
	<u>Relief valve for oil pressure, consisting of:</u>		
	. Plunger	403125	1
	. Spring	403319	1
	. Plug	16365	1
	. . Gasket	11996	1
	Pipe for oil pressure gauge (copper piping), 1/8", early production	15900	0,6 m
	Pipe for oil pressure gauge (steel piping), 1/8", late production	18921	0,6 m
	. Clamp screw connection at oil pressure gauge and No. 88018	26699	2
	<u>Flexible hose</u> , pipe for oil pressure gauge - block	87970	1
	. Screw connection in engine	180110	1
	. Screw connection on dashboard	88018	1
	. . Screw	14031	1
	. . . Spring washer	906987	1
	<u>Oil dipstick</u> , complete	403113	1
	. Felt ring	11363	1
	Pipe for oil dipstick	136	1
	<u>Oil filter</u> , complete, early production, Fram F 3 P 2	87840 ¹⁾	1
	. Housing	N.S.S.	
	. . Plug	16325	1
	. Cover, complete	87975	1
	. . Spring	87976	1
	. . Washer	702201	1
	. Filter element	89340	1
	. . Set of gaskets for cover	54067	1
	. . Rubber washer	83918	2
	. Bolt for cover	921660	1
	. . Fiber washer	48251	1

1. Replaced as a complete component by oil filter No. 89339.

Fig.

<u>No.</u>	<u>Description</u>	<u>Part No.</u>	<u>Qty.</u>
	<u>Oil filter, complete, intermediary production,</u> <u>Fram OFB 302</u>	88442 ¹⁾	1
	. Housing	N.S.S.	
	. Cover, complete	89051	1
	. . Spring	89052	1
	. . Washer	702201	1
	. Filter element	89340	1
	. . Set of gaskets for cover	54067	1
	. . Rubber washer	83918	2
	. Spacer sleeve for filter element	89050	1
	. Bolt for cover	101606	1
	. . Fibre washer	48251	1
	. Screw connection for oil filter	406132	1
	<u>Oil filter, complete, late production,</u> <u>OP 22-05 E</u>	89339	1
	. Housing	N.S.S.	
	. . Plug for oil drain	16325	1
	. Cover, separate	89746	1
	. . Spring with disc	89591	1
	. Gasket for cover	89593	1
	. Screw for cover	89590	1
	. . Copper washer	11996	1
	. Filter element	89340	1
	<u>Suspension band for oil filter</u>	87838	1
	. Bolt, length = 16 mm	902278	2
	. . Spring washer	906990	2
	. Bolt, length = 30 mm	902282	1
	. . Nut	906576	1
	<u>Flexible hose (inlet line)</u>	87970	1
	. Screw connection in block	180002	1
	. Elbow screw connection, at block	16218	1
	. Elbow screw connection, at oil filter	180110 ²⁾	1

1. Replaced as a complete component by oil filter No. 89339.

2. Replaces early production screw connection and elbow screw connection.

Lubricating system

<u>Description</u>	<u>Part No.</u>	<u>Qty.</u>
Clamp for flexible hose	18388	1
Flexible hose (outlet line)	87970	1
. Screw connection in block	180009	1