

Fig. 24

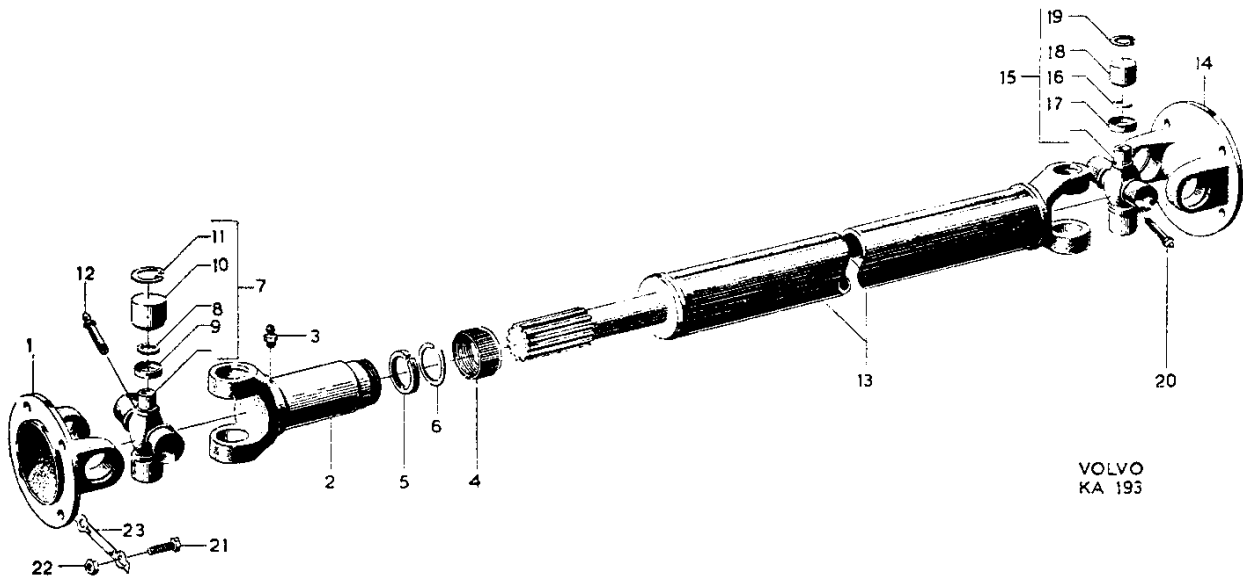


Fig. 25

Fig. No.	Description	Part No.	Qty.
<u>PROPELLER SHAFTS</u>			
	<u>Propeller shaft, forward, cpl.</u>	89854 ¹⁾	1
	Propeller shaft, forward, cpl.	656554 ²⁾	1
24- 1	. <u>Tubular shaft</u>	89932 ¹⁾	1
	. Tubular shaft	659063 ²⁾	1
24- 2	. Flange yoke	87941	1
24- 3	. Joint cross, cpl.	87977	1
24- 4	. . Cork gasket	15551	4
24- 5	. . Retainer	87944	4
24- 6	. . Needle bearing	87945	4
24- 7	. . Lock ring	118006	4
24- 8	. . Lubricator	180007	1
24- 9	Bolt	102754	4
24-10	Nut plate	89891	2
24-11	Lock washer	15260	2
24-12	Companion flange	86460	1
24-13	Bolt	921659	1
24-14	Base washer	120065	1
24-15	Spring washer	906994	1
<u>Center bearing</u>			
24-16	Center bearing housing	657112	1
24-17	Rubber bushing	653192	2
24-18	Ball bearing, SKF: 24 G-88506	181261	1
24-19	Splash protector	86443	1
	<u>Propeller shaft, rear, cpl.</u>	89460	1
	. Universal joint, forward, cpl.	89963	1
25- 1	. . Flange yoke	87941	1
25- 2	. . Sleeve yoke	89964	1
25- 3	. . Lubricator	951739	1
25- 4	. . Cap nut	87946	1
25- 5	. . Cork gasket	15550	1
25- 6	. . Washer	18735	2
25- 7	. . <u>Joint cross, cpl.</u>	87977	1
25- 8	. . . Cork packing	15551	4
25- 9	. . . Retainer	87944	4
25-10	. . . Needle bearing	87945	4
25-11	. . . Lock ring	118006	4
25-12	. . . Lubricator	180007	1
25-13	. <u>Tubular shaft</u>	89965	1

1. For cars with H-6 transmissions.
2. For cars with M-4 transmissions.

Propeller shaft

Fig. No.	Description	Part No.	Qty.
25-14	. Flange yoke	87941	1
25-15	. <u>Joint cross</u> , cpl.	87977	1
25-16	. . Cork packing	15551	4
25-17	. . Retainer	87944	4
25-18	. . Needle bearing	87945	4
25-19	. . Lock ring	118006	4
25-20	. . Lubricator	180007	1
25-21	Bolt	102754	8
25-22	Nut	10817	8
25-23	Lock washer	15260	8