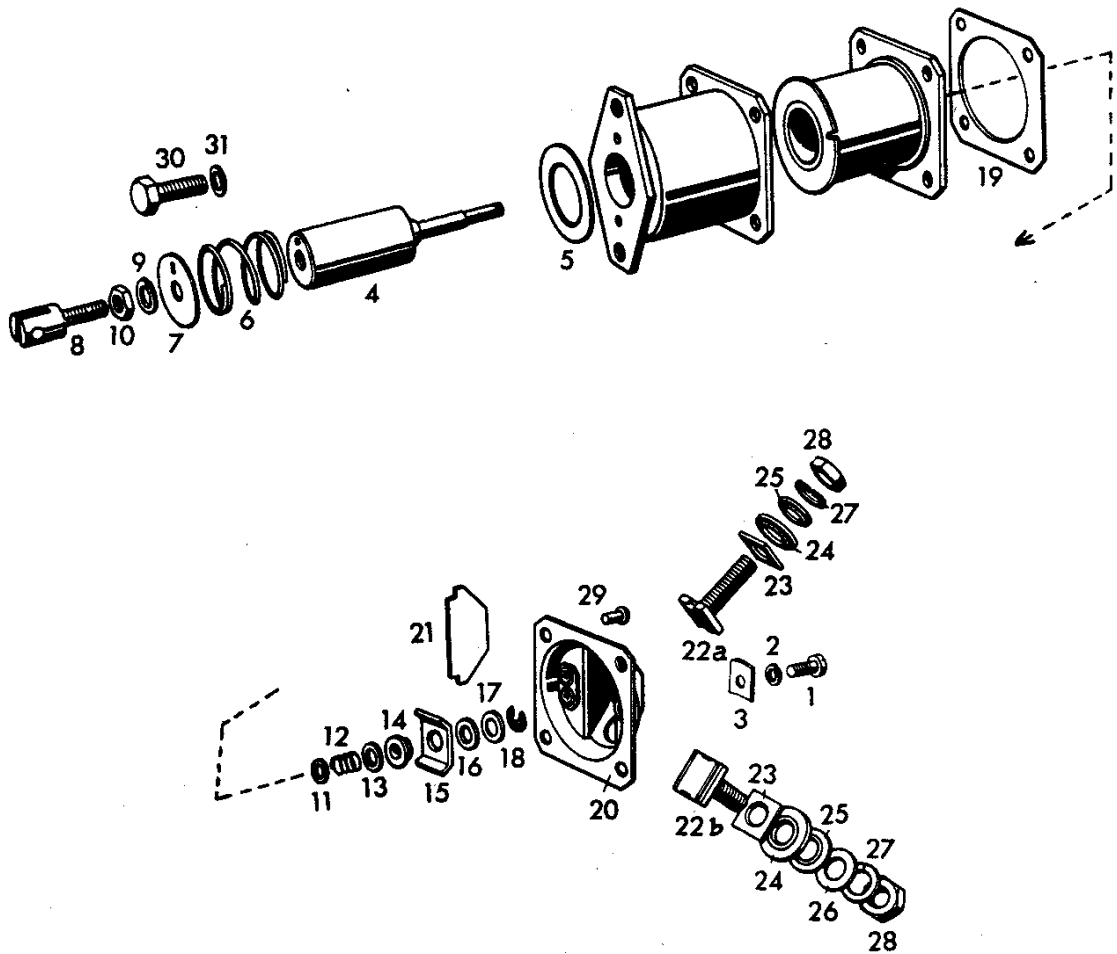


<b>VOLVO</b> Reservdelskatalog Parts catalogue	<b>P 110 P 210(B18)</b>			Grupp Group 10
	Manövermagnet	238830	Solenoid switch	Utgåva Issue 2      Sida Page 19



Grupp Group	10	<b>P 110 P 210(B18)</b>			<b>VOLVO</b>	
Sida Page	18	Utgåva Issue	3	Manövermagnet	238830	Solenoid switch
				Reservdelskatalog Parts catalogue		

Pos Fig.	Antal Qty.	Benämning	Description	Def. nr		
				Part No. Volvo	Part No. Bosch	
	1	Manövermagnet .....	Solenoid switch .....	238830-4	SSM 120 L 39	0 331 300 025
1	1	. Anslutningsskruv .....	. Terminal screw .....	956059-0	NSR 5262/13	2 910 021 118
2	1	. Fjäderbricka .....	. Spring washer .....	955917-0	NMS 440/3	2 916 693 003
3	1	. Underläggsplatta .....	. Plate .....	238229-9	WPT 100 L 3	1 331 030 000
4	1	. Ankare med axel .....	. Armature with shaft .....	<del>239341-1</del>	SAN 30 L 10	1 330 363 007
5	1	. Packning .....	. Packing washer .....	<del>48814-8</del>	WNS 4/1	1 200 111 001
6	1	. Fjäder .....	. Armature return spring .....	<del>239342-9</del>	WSF 650/84	1 334 616 015
7	1	. Stödbricka .....	. Retaining disk .....	<del>239343-7</del>	SMS 48/1	1 330 100 001
8	1	. Länkgaffel .....	. Link fork .....	<del>239344-5</del>	SHGK 3 L 2	1 332 121 001
9	1	. Fjäderbricka .....	. Lock washer .....	<del>239345-2</del>	WMR 50 L 3	1 330 224 000
10	1	. Mutter .....	. Nut .....	955781-0	NMU 2056/1	2 915 051 106
11	1	. Justerbricka .....	. Shim .....	<del>239346-0</del>	WMS 552/36	1 330 100 030
12	1	. Fjäder .....	. Spring .....	<del>239347-8</del>	WSF 650/78	1 334 612 005
13	1	. Bricka .....	. Washer .....	<del>25261-9</del>	NMS 10/1	2 916 011 011
14	1	. Isolerbussning .....	. Insulating bushing .....	<del>239348-6</del>	WNB 20 J 1	1 330 321 005
15	1	. Kontaktskena .....	. Contact rail .....	<del>239349-4</del>	SKT 3/8	1 331 321 020
16	1	. Isolerbricka .....	. Insulating washer .....	<del>239350-2</del>	WNS 539/58	1 330 112 020
17	1	. Tallriksbricka .....	. Dished washer .....	<del>239351-0</del>	WMS 794/1	1 330 500 010
18	1	. Låsbricka .....	. Retaining ring .....	<del>238531-8</del>	NMS 663/1	2 916 085 007
19		. Packning,	. Gasket,			
	erf	. . tj. = 0,2 .....	. . Th. = 0,2 .....	<del>239352-8</del>	SHPT 222 L 1	1 331 015 010
	erf	. . tj. = 0,4 .....	. . Th. = 0,4 .....	<del>239353-6</del>	SHPT 222 L 2	1 331 015 011
	erf	. . tj. = 0,6 .....	. . Th. = 0,6 .....	<del>239354-4</del>	SHPT 222 L 3	1 331 015 012
	erf	. . tj. = 0,8 .....	. . Th. = 0,8 .....	<del>239355-1</del>	SHPT 222 L 4	1 331 015 013
20	1	. Lock .....	. Switch cover .....	<del>239356-9</del>	SHDE 6 L 26	1 330 520 143
21	2	. . Isolерplatta .....	. . Insulating plate .....	<del>239357-7</del>	SHPT 64 L 7	1 331 008 014
2a	1	. . Kontaktbult, lång .....	. . Contact bolt, long .....	<del>239358-5</del>	SHBO 40 L 1	1 333 149 040
2b	1	. . Kontaktbult, kort .....	. . Contact bolt, short .....	<del>239359-3</del>	SHBO 40 L 8	1 333 149 047
23		. . Isolерplatta,	. . Insulating plate,			
	erf	. . . tj. = 0,2 .....	. . . Th. = 0,2 .....	<del>239360-1</del>	SPT 285 L 11	1 331 031 000
	erf	. . . tj. = 0,5 .....	. . . Th. = 0,5 .....	<del>239361-9</del>	SPT 285 L 12	1 331 031 001
	2	. . . tj. = 2 .....	. . . Th. = 2 .....	<del>239362-7</del>	SPT 285 L 13	1 331 031 002
24	2	. . Isolерbricka .....	. . Insulating washer .....	77587-4	WNS 568/5	1 330 121 000
25	2	. . Bricka .....	. . Washer .....	<del>238831-2</del>	WMS 50 L 18	1 330 120 000
26	1	. . Låsbricka .....	. . Tightening washer .....	<del>77586-6</del>	WMS 789/2	1 330 170 001
27	3	. . Fjäderbricka .....	. . Spring washer .....	955921-2	NMS 440/6	2 916 693 007
28	2	. . Mutter .....	. . Hexagon nut .....	955782-8	NMU 2057/1	2 915 051 107
29	4	. Nit .....	. Rivet .....	<del>239363-5</del>	WNJ 16 L 2	1 333 132 005
30	2	Fästskruv .....	Fixing screw .....	955270-4	NSR 5359/44	1) 2 911 051 196
31	2	Fjäderbricka .....	Spring washer .....	955919-6	NMS 440/5	1) 2 916 696 005

1. Ingår ej i manövermagnet, kmpl.  
Not included in solenoid switch, cpl.  
Ne fait pas partie de contacteur, complet.  
Gehört nicht zur Anlassmagnetschalter, komplett.  
No forma parte de solenoide de control, completo.